

DRAWING NO.	REV.	DESCRIPTION
B-TC-KL10-E-4	M	KL10-E PRINT SET TABLE OF CONTENTS
B-DD-KL10-E	M	ARITHMETIC PROCESSOR (KL10-E) D.D.
D-UA-KL10-E-0	U	ARITHMETIC PROCESSOR
K-PL-KL10-E-DBP	U	ARITHMETIC PROCESSOR (P.L.)
D-IC-KL10-0-1	*	POWER DIAGRAM
D-IC-KL10-0-2	*	REGULATOR ASSY
E-UA-H760-0-0	H	RAW POWER SUPPLY H760
A-PL-H760-0-0	H	RAW POWER SUPPLY H760 (P.L.)
D-CS-H760A-0-1	B	CIRCUIT SCHEMATIC H760A
D-CS-H760B-0-1	B	CIRCUIT SCHEMATIC H760B
E-AD-7009409-0-0	C	DIODE HEAT SINK ASSY
D-AD-7009410-0-0	D	COMPONENT MTG PLATE ASSY
D-IC-H761-0-8	A	H761 WIRING DIAGRAM
E-UA-H761-0-0	J	REGULATED POWER SUPPLY
A-PL-H761-0-0	J	REGULATED POWER SUPPLY (P.L.)
D-IC-H761-0-1	A	CONTROL LOGIC
D-CS-G8010-0-1	C	-5.2 VOLT CONTROL
D-CS-G8011-0-1	C	-2 VOLT CONTROL
D-CS-G8013-0-1	B	+10V REFERENCES
D-CS-G8014-0-1	B	LOW VOLTAGE DETECTOR
D-CS-5410663-0-1	B	SERIES PASS -2.0V BOARD
D-CS-5410665-0-1	B	-5.2V BOARD
E-AD-7009404-0-0	E	REGULATED HEAT SINK ASSY (-2.0V)
A-PL-7009404-0-0	E	REGULATED HEAT SINK ASSY (-2.0V) (P.L.)
E-AD-7009405-0-0	E	REGULATED HEAT SINK ASSY (-5.2V)
A-PL-7009405-0-0	E	REGULATED HEAT SINK ASSY (-5.2V) (P.L.)
D-CS-7009404-0-1*		-2.0V HEAT SINK ASSY
D-CS-7009405-0-1*		-5.2 HEAT SINK ASSY
E-IA-7009545-0-0*		HARNESS DRIVE, SCR. SCR RTN
D-IA-7009546-0-0*		HARNESS SENSE
E-IA-7009547-0-0	A	HARNESS OPEN SENSE
E-AD-7009548-0-0	E	CAPACITOR BOX ASSY
E-UA-863-0-0	K	POWER CONTROLLER 863
A-PL-863-0-0	K	POWER CONTROLLER 863 (P.L.)
D-CS-863-0-1	F	CIRCUIT SCHEMATIC 863
D-CS-W516-0-1	D	AC LOW VOLTAGE DETECTOR
D-CS-W7000-0-1	C	AUX POWER SUPPLY
C-AD-7009632-0-0	C	WIRED ASSY (CHASSIS 863 P.C.)
K-PL-7009878-0-DBP	E	CAPACITOR BOX ASSY (P.L.)
D-AD-7011418-0-0	J	CONSOLE PROCESSOR
K-PL-7011418-0-DBP	J	CONSOLE PROCESSOR (P.L.)
D-AD-7010311-0-0	A	PLATE, CABLE CONVERSION ASSY

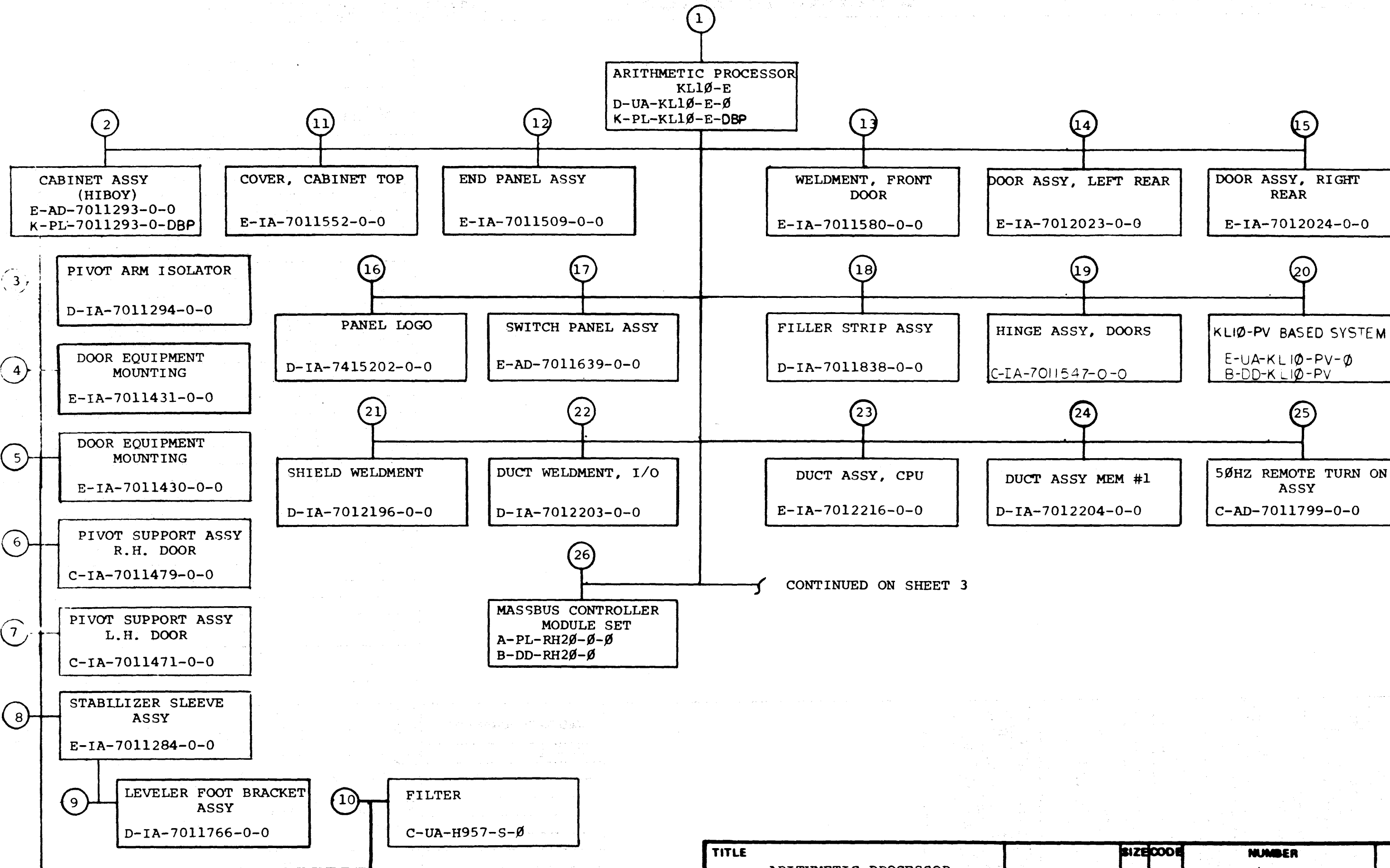
NOTE: A REVISION DESIGNATED AS "*" REPRESENTS THE INITIAL RELEASE REVISION OF A DRAWING IN THE CASE WHERE THE INITIAL RELEASE REVISION WAS "-", "*", OR WAS LEFT BLANK.

DRAWING NO.	REV.	DESCRIPTION
E-AD-7011639-0-0	*	SWITCH PANEL ASSY
C-CS-7011639-0-1	*	CIRCUIT SCHEMATIC
MP00301	B	KL10-PV PRINT SET
(REF. ONLY)		THIS PRINT SET CONTAINS DMA20 MODULES DTE20 MODULES MCA20 MODULES KL10-PV MODULES DIA20 MODULES
D-AD-7009876-0-0	A	VANE SWITCH ASSY
E-AD-7012278-0-0	D	LOGIC ASSY RH20/DTE20
A-PL-7012278-0-0	D	LOGIC ASSY RH20/DTE20 (P.L.)
E-AD-7009429-0-0	F	WIRED ASSY RH20/DTE20
A-PL-7009429-0-0	F	WIRED ASSY RH20/DTE20 (P.L.)
E-AD-7010088-0-0	D	BACKPLANE ASSY
D-UA-5411306-0-0	*	BACKPLANE
D-AD-7010103-0-0	C	SWITCH ASSY
D-UA-5411360-0-0	*	SWITCH BOARD
D-IA-7011520-0-0	*	VANE SWITCH ASSY
D-IA-7010211-0-0	B	MASS BUS CONNECTOR ASSY
D-UA-5411070-0-0	B	BOARD MASSBUS
E-AD-7009431-0-0	D	BACKPLANE ASSY (RH20)
D-UA-5410678-0-0	A	BACKPLANE
D-UA-5410677-0-0	A	BACKPLANE
D-IA-5009784-0-0	A	GROUND PLANE ASSY I/O CONN
C-IA-7008288-0-0	J	CABLE ASSY
C-UA-BC05F-0-0	C	CABLE INTERFACE
C-UA-M920-0-0	C	INTERNAL BUS CONN ASSY
D-UA-BC11A-0-0	H	CABLE ASSY (BC11A)
D-UA-BC06R-0-0	E	BC06R I/O CABLE
D-IA-BC20C-0-0	A	CONN ASSY SBUS
C-IA-5408780-0-0	*	PRIORITY JUMPER LEVEL #6
D-IA-7012210-0-0	*	POWER CORD (60HZ)
D-IA-7012275-0-0	A	POWER CORD (50HZ)
A-PL-KL10-E-SH	H	SHIP LIST KL10-E
C-IA-7017572-0-0	A	ASSY, THERMAL SWITCH
K-PL-7017572-0-DBP	A	ASSY, THERMAL SWITCH (P.L.)
D-AD-7018287-0-0	B	ASSY, DC VOLTAGE MONITOR MEMORY
K-PL-7018287-0-DBP	B	ASSY DC VOLTAGE MONITOR MEMORY (P.L.)

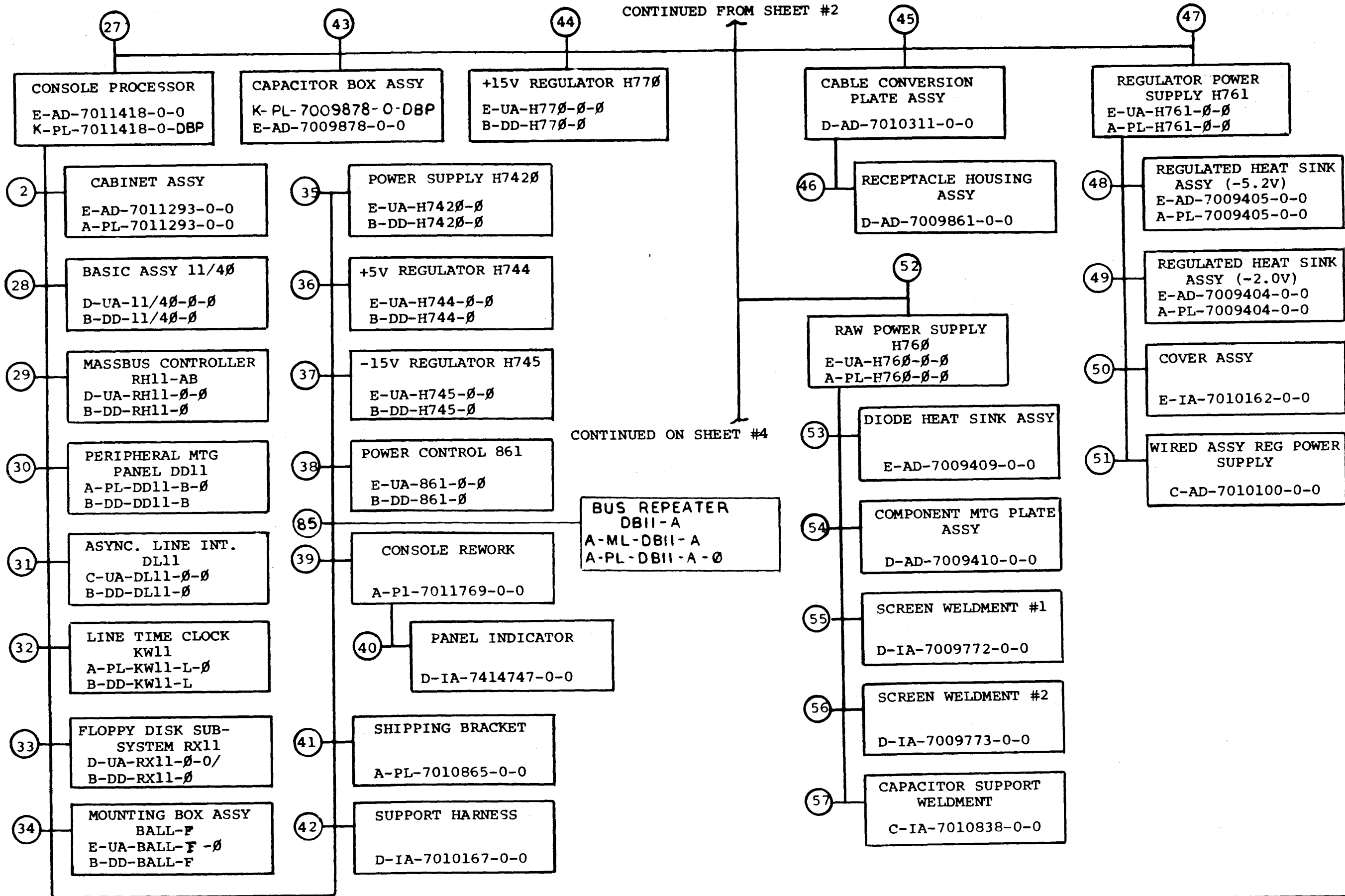
TITLE	SHEET	OF	SIZE	CODE	NUMBER	REV
ARITHMETIC PROCESSOR	SHEET 2	OF 3	B	TC	KL10-E-4	M

"THIS DRAWING AND SPECIFICATIONS, HEREIN, ARE THE PROPERTY OF DIGITAL EQUIPMENT CORPORATION AND SHALL NOT BE REPRODUCED OR COPIED OR USED IN WHOLE OR IN PART AS THE BASIS FOR THE MANUFACTURE OR SALE OF ITEMS WITHOUT WRITTEN PERMISSION.
 COPYRIGHT © 1968 DIGITAL EQUIPMENT CORPORATION"

DRAWING	REV.	DESCRIPTION
D-AD-7018268-C-C	B	ASSY. VOLTAGE MONITOR I/O #1
K-PL-7018268-Q-DBP	B	ASSY. VOLTAGE MONITOR I/O #1 (P.L.)
D-EC-5014505-C-0	A	ETCH CUT DRAWING
D-UA-5414506-1-C	A	VOLTAGE MONITOR BOARD
K-PL-5414506-1-DBP	A	5414505 VOLTAGE MONITOR BOARD (KLI0) (P.L.)
D-CS-5414506-1-1	A	VOLTAGE MONITOR BOARD
A-SP-5414506-1-2	A	VOLTAGE MONITOR

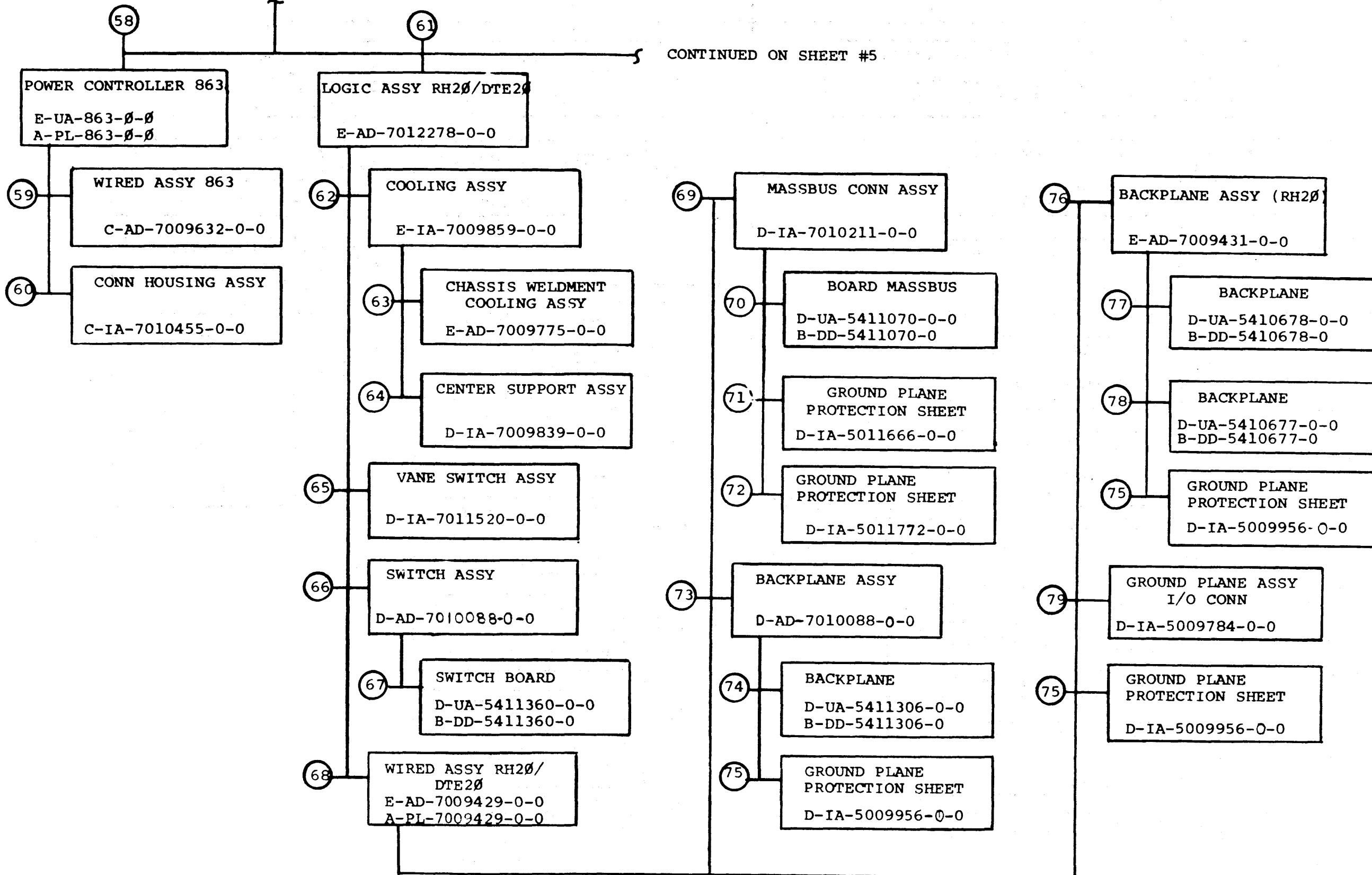


TITLE	SHEET	SIZE	CODE	NUMBER	REV
ARITHMETIC PROCESSOR KL10-E	2 OF 18	B	DD	KL10-E	M



CONTINUED ON SHEET #4

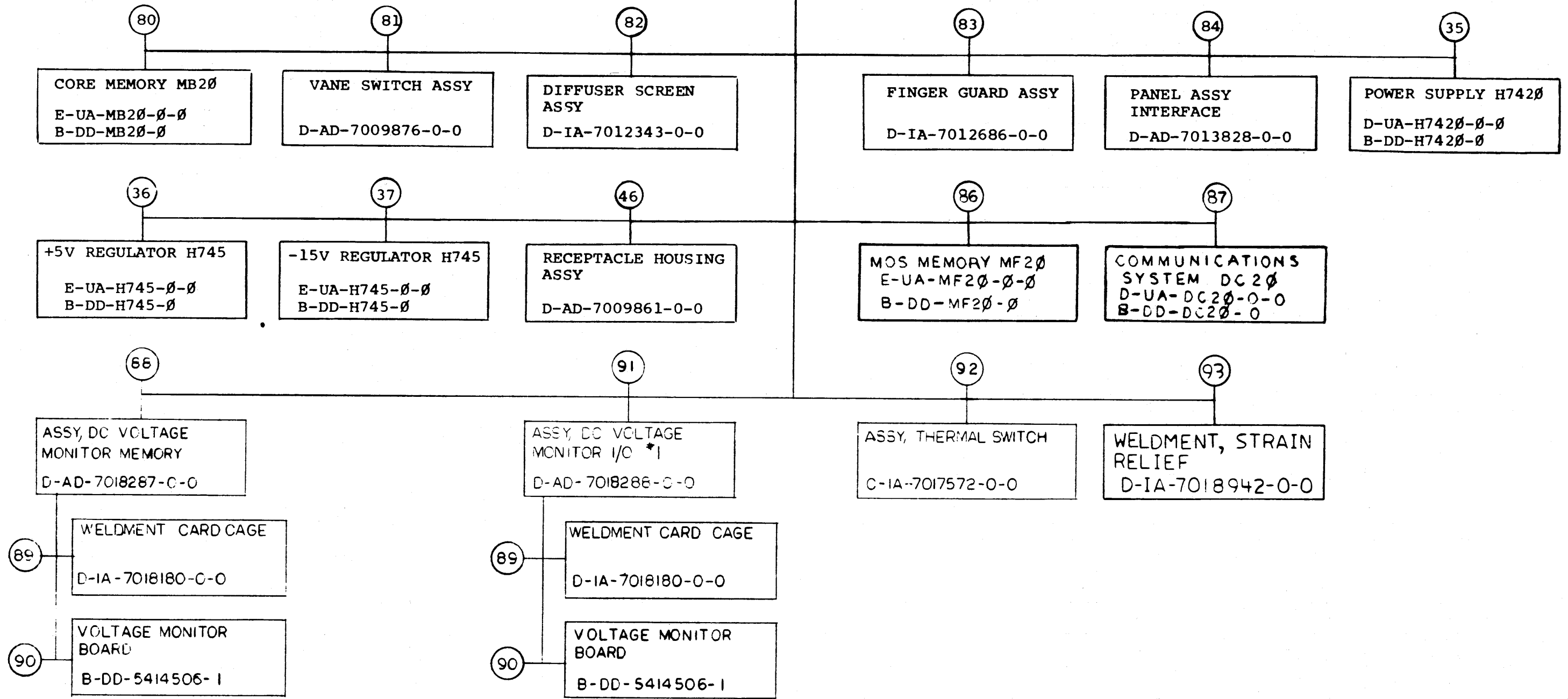
TITLE	SHEET	OF	SIZE	CODE	NUMBER	REV
ARITHMETIC PROCESSOR KLI0-E	3	18	B	DD	KLI0-E	M



TITLE	SIZE	CODE	NUMBER	REV
ARITHMETIC PROCESSOR KL1Ø-E	B	DD	KL1Ø-E	M

"THIS DRAWING AND SPECIFICATIONS, HEREIN, ARE THE PROPERTY OF DIGITAL EQUIPMENT CORPORATION AND SHALL NOT BE REPRODUCED OR COPIED OR USED IN WHOLE OR IN PART AS THE BASIS FOR THE MANUFACTURE OR SALE OF ITEMS WITHOUT WRITTEN PERMISSION. 1977
COPYRIGHT © DIGITAL EQUIPMENT CORPORATION"

CONTINUED FROM SHEET #4



TITLE	ARITHMETIC PROCESSOR KL10-E	SHEET 5 OF 18	SIZE CODE B DD	NUMBER KL10-E	REV M
-------	--------------------------------	---------------	-------------------	------------------	----------

FIND NO.	DRAWING NO.	DESCRIPTION	TYPE	FIND NO.	DRAWING NO.	DESCRIPTION	TYPE
1	MP00300	KL10-E VOL. 1 FIELD MAINT. PRINT SET (MP)	-		J-IA-7011808-0-0	HARNESS FAULT INDICATOR	E/M
	B-TC-KL10-E-4	KL10-E VOL. 1 FIELD MAINT. PRINT SET (TC)	-		D-IA-7010877-0-0	HARNESS AC WIRING NO. 3	E/M
	MP00301	KL10-0 VOL. 2 FIELD MAINT. PRINT SET (MP)	-		D-IA-7010805-0-0	HARNESS AC WIRING NO. 1	E/M
	B-TC-KL10-0-5	KL10-0 VOL. 2 FIELD MAINT. PRINT SET (TC)	-		D-IA-7011432-0-0	POWER CORD EXTENSION	E/M
	D-UA-KL10-E-0	ARITHMETIC PROCESSOR	E/M		D-UA-BC06R-0-0	CABLE I/O	E/M
	K-PL-KL10-E-DBP	ARITHMETIC PROCESSOR (P.L.)	E/M		D-UA-BC11A-0-0	CABLE ASSY UNIBUS	E/M
	D-MD-7414725-0-0	PANEL GRILLE	M		D-UA-BC11A-02-0	CABLE ASSY UNIBUS	E/M
	E-MD-7412285-0-0	SHIELD EMI	M		D-UA-BC20C-0-0	CONN ASSY (SBUS)	E/M
	D-MD-7413892-0-0	PLATE PROTECTION	M		D-IA-7008288-0-0	CABLE ASSY	E/M
	D-MD-7415000-0-0	STIFFENER CAB	M		D-UA-BC05F-0-0	CABLE INTERFACE	E/M
	D-MD-7414616-0-0	STIFFENER CAB	M		D-UA-BC11A-13-0	CABLE ASSY	E/M
	D-MD-7414527-0-0	MTG PLATE #1 PWR SUPPLY	M		D-IA-7014407-0-0	POWER CORD (60HZ)	E/M
	D-MD-7414528-0-0	MTG PLATE #2 PWR SUPPLY	M		D-IA-7014409-0-0	POWER CORD (50HZ)	E/M
	D-IA-7412379-0-0	CONNECTOR PANEL	M		C-IA-7011025-0-0	CABLE ASSY	E/M
	C-MD-7414386-0-0	BRACKET (H317-B)	M		C-IA-7011831-0-0	CABLE ASSY	E/M
	C-IA-7414771-0-0	STRAIN RELIEF	M		C-IA-7011833-0-0	CABLE ASSY	E/M
	C-IA-7414772-0-0	CLAMP, STRAIN RELIEF	M		D-IA-7011920-0-0	POWER CORD EXTENSION	E/M
	D-MD-7414403-0-0	STRIP TOP FILLER	M		D-IA-7008288-06-0	CABLE ASSY	E/M
	D-IA-7414726-0-0	SUPPORT, PIVOT FRONT DOOR	M		D-IA-7008288-06-0	CABLE ASSY	E/M
	C-IA-7414428-0-0	DOOR PIVOT TOP	M		J-IA-7012411-0-0	HARNESS DC I/O	E/M
	C-IA-7414615-0-0	MOUNTING PLATE, CAPACITOR BOX	M		D-IC-KL10-0-IOCl	EBUS CABLE I/O TO CPU	E
	A-DC-7415437-0-0	DECAL LP20	M		D-IC-KL10-0-IOC2	EBUS CABLE I/O TO CPU	E
	D-IA-7414529-0-0	SUPPORT, POWER SUPPLY	M		D-IC-KL10-0-SBUS	SBUS CABLE MEMORY TO CPU	E
	C-MD-7414318-0-0	KEY BUTTON	M		D-IC-KL10-0-EBUS	EBUS CABLE	E
	D-MD-7415271-0-0	PLATE FAN MTG (I/O)	M		D-CS-KL10-0-UBCI	UNIBUS CABLE IN	E
	C-MD-7415200-0-0	PLATE PIVOT	M		D-CS-KL10-0-UBCO	UNIBUS CABLE OUT	E
	C-IA-7415108-0-0	BRACKET TOP DOOR LATCH	M				
	C-IA-7415107-0-0	BRACKET BOTTOM DOOR LATCH	M				
	C-IA-7013059-0-0	STRAP, GROUND	E		A-PL-KL10-E-SH	SHIP LIST	E/M
	D-MD-7415394-0-0	SHIELD	M		A-SP-KL10-C-P1	PACKAGING INSTRUCTIONS	M
	B-IA-7415268-0-0	SUPPORT SHIELD	M		A-PL-KL10-E-KIT	HARDWARE KIT KL10-E	M
	B-MD-7416512-0-0	PIN DOOR RETAINER	M				M
	A-DC-7409872-0-0	DECAL POWER HARNESS	M		C-MD-7418502-0-0	H760 PWR SUPPLY COVER PLATE	M
	B-MD-7411296-0-0	SPACER HEAT SINK	M		A-PL-DTE20-0-0	10/11 INTERFACE MODULE SET (SEE BELOW)	E/M
	A-DC-7412561-0-0	DECAL POWER INTERLOCK	M				
	C-IA-7415201-0-0	PLATE ADAPTER	M		D-UA-M8552-0-0	10/11 DATA PATH	E/M
	C-IA-7415410-0-0	RETAINER FILTER	M		B-DD-M8552-0	M8552 DRAWING DIRECTORY	E/M
	C-MD-7415438-0-0	FILLER STRIP	M				
	C-MD-7415476-0-0	COVER SHIELD	M		D-UA-M8553-0-0	10/11 BUS AND DATA CONROL	E/M
	B-MD-7415420-0-0	BRACKET MEM #1	M		B-DD-M8553-0	M8553 DRAWING DIRECTORY	E/M
	C-MD-7415400-0-0	BRACKET LEFT SIDE (CPU)	M				
	C-MD-7415399-0-0	BRACKET RIGHT SIDE (CPU)	M		D-UA-M8554-0-0	10/11 BUS DATA CONTROL	E/M
	B-MD-7415413-0-0	BRACKET NO. 1 (I/O)	M		B-DD-M8554-0	M8554 DRAWING DIRECTORY	E/M
	B-MD-7415412-0-0	BRACKET NO. 2 (I/O)	M				
	A-DC-7415449-0-0	DECAL, CAUTION	M		C-TA-5408780-0-0	PRIORITY PLUG	E/M
	C-IA-7415646-0-0	PLATE, ADAPTER	M				M
	D-IA-7415649-0-0	BRACKET, CABLE ROUTING	M				
	C-MD-7415648-0-0	INSULATOR	M		D-AD-7015507-0-0	CSA LOCKING KIT	M
	D-MD-7415825-0-0	BRACKET STRAIN RELIEF	M		D-MD-7419286-0-0	INTER CABINET DRIP SHIELD	M
	D-IA-7415826-0-0	SUPPORT, STRAIN RELIEF	M		D-IA-7413405-0-0	PANEL FILLER H7420	M
	J-IA-7009419-0-0	HARNESS DC TOP (CPU)	E/M		D-IA-7016447-0-0	ASSEMBLY STRAIN RELIEF	M
	J-IA-7010855-0-0	HARNESS DC BOTTOM (CPU)	E/M				
	J-IA-7009427-0-0	HARNESS SENSE (CPU)	E/M				

TYPE: E ELECTRICAL
M MECHANICAL
E/M ELECTRO/MECHANICAL

digital

TITLE
ARITHMETIC PROCESSOR
KL10-E

SHEET 6 OF 18

SIZE CODE
B DD

NUMBER
KL10-E

REV.
M

FIND NO.	DRAWING NO.	DESCRIPTION	TYPE	FIND NO.	DRAWING NO.	DESCRIPTION	TYPE
2	E-AD-7011293-0-0	CABINET ASSY	M		B-MD-7414313-0-0	PLATE DOOR RAMP	M
	E-AD-7011293-3-0	CABINET ASSY	M		C-MD-7414198-0-0	ANGLE MOUNTING	M
	B-AD-7011293-3-0	CABINET ASSY	M		D-MD-7414199-0-0	ANGLE MOUNTING	M
	E-AD-7011293-4-0	CABINET ASSY	M		B-MD-7415106-0-0	CAP DOOR PIVOT	M
	K-PL-7011293-0-08P	CABINET ASSY (P.L.)	M				
	B-MD-7413642-0-0	VERTICAL MEMBER	M				
	E-MD-7413644-0-0	HORIZONTAL LOWER	M				
	D-MD-7414526-1-0	REAR MOUNT (POWER SUPPLY)	M				
	C-MD-7413998-0-0	PIN PIVOT	M				
	D-MD-7414090-0-0	BRACKET HANGER	M				
	D-MD-7414024-0-0	TALL VERT, MEMBER	M				
	D-MD-7414525-1-0	FRONT MOUNT (POWER SUPPLY)	M				
	D-MD-7414022-0-0	SUPPORT BRACKET (CPU)	M	5	E-IA-7011430-0-0	DOOR EQUIPMENT MOUNTING	M
	C-MD-7414074-0-0	SUPPORT ANGEL	M		C-MD-7414156-0-0	DOOR FRAME VERT.	M
	C-MD-7414240-0-0	PIVOT PLATE (TOP)	M		B-MD-7414315-0-0	PLATE DOOR RAMP	M
	B-MD-7414241-0-0	PIN, DOOR PIVOT TOP	M		C-MD-7414156-3-0	DOOR FRAME VERT.	M
	B-MD-7414200-0-0	PIN, DOOR PIVOT BOTTOM	M		C-MD-7414737-0-0	SHORT MEMBER DOOR FRAME	M
	D-MD-7413635-0-0	LATERAL MEMBER	M		C-MD-7414155-0-0	DOOR FRAME HORIZ.	M
	C-MD-7414087-0-0	ARM, STABILIZER	M		C-MD-7414155-3-0	DOOR FRAME HORIZ.	M
	B-MD-7414226-0-0	PIN	M		C-MD-7414228-0-0	BRACKET PIN GUIDE	M
	C-MD-7414229-0-0	BEARING PLATE	M		D-MD-7414198-0-0	ANGLE MOUNTING	M
	C-MD-7414230-0-0	BRACKET DOOR TELESCOPING	M		D-MD-7414199-0-0	ANGLE MOUNTING	M
	C-MD-7414277-0-0	BRACKET DOOR RETAINER	M		B-MD-7415106-0-0	CAP DOOR PIVOT	M
	D-MD-7414525-0-0	FRONT MOUNT (POWER SUPPLY)	M				
	D-MD-7414023-2-0	SUPPORT BRACKET (CPU)	M				
	B-MD-7408582-0-0	WASHER BEARING	M				
	C-MD-7414140-0-0	PLATE BOLTING	M				
	C-MD-7414604-0-0	CATCH DOOR INTERLOCK	M				
	D-MD-7414526-0-0	REAR MOUNT (POWER SUPPLY)	M				
	D-MD-7414023-0-0	VERTICAL NARROW	M				
	D-IA-7409126-0-0	PANEL FAN	M				
				6	C-IA-7011479-0-0	PIVOT SUPPORT ASSY R.H. DOOR	M
					C-IA-7415157-0-0	BRACKET PIVOT	M
					C-MD-7414243-0-0	SUPPORT, PIVOT MTG	M
3	D-IA-7011294-0-0	PIVOT ARM ISOLATOR	M				
	D-MD-7414103-0-0	BRACKET PIVOT	M				
	D-MD-7414104-0-0	SUPPORT, PIVOT BRACKET	M				
				7	C-IA-7011471-0-0	PIVOT SUPPORT ASSY L.H. DOOR	M
					C-IA-7415156-0-0	BRACKET, PIVOT	M
					C-MD-7414202-0-0	SUPPORT PIVOT MTG	M
4	E-IA-7011431-0-0	DOOR EQUIPMENT MOUNTING	M				
	C-MD-7414278-0-0	BRACKET PIN GUIDE	M				
	C-MD-7414156-0-0	DOOR FRAME, VERT.	M				
	C-MD-7414155-0-0	DOOR FRAME, HORIZ.	M				
	C-MD-7414155-1-0	DOOR FRAME, HORIZ.	M				

TYPE: E ELECTRICAL
M MECHANICAL
E/M ELECTRO/MECHANICAL



TITLE	ARITHMETIC PROCESSOR KL10-E	SHEET 7 OF 18	SIZE	CODE	NUMBER	REV
		B	DD	KL10-E	M	

EN-01062-2C-16-R376-13251

MR

FIND NO.	DRAWING NO.	DESCRIPTION	TYPE	FIND NO.	DRAWING NO.	DESCRIPTION	TYPE
17	E-AD-7011639-0-0	SWITCH PANEL ASSY	E/M	21	D-IA-7012196-0-0	SHIELD WELDMENT	M
	D-IA-7414540-0-0	PLATE SWITCH MOUNTING	M		D-MD-7415269-0-0	SHIELD DRIP	M
	D-MD-7414541-0-0	CHASSIS SWITCH PANEL	M		C-MD-7415393-0-0	SHIELD STRENGTHENER	M
	B-MD-7414143-0-0	SPACER	M				
	B-MD-7413680-0-0	LOCK SWITCH	M				
	A-DC-7409873-0-0	DECAL PWR CONN	M				
	E-IA-7011640-0-0	HARNESS SWITCH PANEL	E/M				
	D-CS-7011639-0-1	CIRCUIT SCHEMATIC	E				
				22	D-IA-7012203-0-0	DUCT WELDMENT I/O	M
					D-MD-7415416-0-0	HOUSING DUCT TOP	M
					C-MD-7415415-0-0	PLATE, BOTTOM	M
					C-MD-7415414-0-0	SCREEN, INLET	M
18	D-IA-7011838-0-0	FILLER STRIP ASSY	M				
	D-MD-7414409-0-0	FILLER STRIP	M				
	D-MD-7414542-0-0	CAP CORNER (STAMPING)	M				
				23	E-IA-7012216-0-0	DUCT ASSY (CPU)	M
					D-IA-7415397-0-0	DUCT PAN (CPU)	M
					C-MD-7415398-0-0	SCREEN DUCT (CPU)	M
					C-MD-7415401-0-0	DUCT COVER (CPU)	M
19	C-IA-7011547-0-0	HINGE ASSY (DOORS)	M				
	C-IA-7011547-1-0	HINGE ASSY (DOORS) L.H.	M				
	C-MD-7414834-0-0	BRACKET HINGE	M				
	C-MD-7415504-0-0	GUSSET	M				
				24	D-IA-7012204-0-0	DUCT ASSY (MEM #1)	M
					C-MD-7415419-0-0	SCREEN	M
					C-MD-7415418-0-0	DUCT TOP	M
					C-MD-7415417-0-0	BOTTOM PLATE	M
20	B-DC-KLIØ-PV	KLIØ-PV BASED SYSTEM					
	E-UA-KLIØ-PV-Ø	KLIØ-PV CPU LOGIC ASSY					
				25	C-AD-7011799-0-0	5ØHZ REMOTE TURN ON ASSY	M
					C-MD-7414776-0-0	COVER	M
					C-MD-7414777-0-0	PLATE MTG	M
					B-DC-5308944-Ø-0	12 POINT DECALS	M
					B-DC-5308944-39-0	12 POINT DECALS	M
					B-DC-5308944-39-0	12 POINT DECALS	M

TYPE: E ELECTRICAL
M MECHANICAL
E/M ELECTRO/MECHANICAL

digital

TITLE ARITHMETIC PROCESSOR
KLIØ-E

SHEET 9 OF 18

SIZE CODE
B DD

NUMBER
KLIØ-E

REV
M

EN-01062-2C-16-R376 : 51

FIND NO.	DRAWING NO.	DESCRIPTION	TYPE	FIND NO.	DRAWING NO.	DESCRIPTION	TYPE
26	A-PL-RH20-0-0 B-DD-RH20-0	MASSBUS CONTROLLER MODULE SET RH20 DRAWING DIRECTORY	E/M E/M	30	A-PL-DD11-B-0 B-DD-DD11-B	PERIPHERAL MTG PANEL DD11 DRAWING DIRECTORY	E/M E/M
27	E-AD-7011418-0-0 K-PL-7011418-0-DBP D-MD-7409445-0-0 D-IA-7409446-0-0 B-MD-7409447-0-0 E-IA-7409305-0-0 C-IA-7410581-0-0 D-MD-7411583-0-0 A-PL-5M873-0-0 D-UA-BC11A-0-0 E-IA-7009566-0-0 D-IA-7009573-0-0 C-UA-BC08R-0-0	CONSOLE PROCESSOR CONSOLE PROCESSOR (P.L.) BRACKET SUPPORT HARNESS SUPPORT HARNESS PLATE, SUPPORT BEZEL, REWORK BRACKET, CABLE HOLD-DOWN BEZEL MOUNTING BRACKET BOOTSTRAP LOADER (KL10) UNIBUS JUMPER 21" BOX POWER HARNESS 6" PIN JUMPER HARNESS CABLE ASSY	E/M E/M M M M M M M E E/M E/M E/M E/M	31	C-UA-DL11-0-0 B-DD-DL11-0	ASYNC. LINE INT. DL11 DRAWING DIRECTORY	E/M E/M
28	D-UA-11/40-0-0 D-UA-11/40-AR-0 B-DD-11/40-0	BASIC ASSY 11/40 BASIC ASSY 11/40 (240v) 11/40 DRAWING DIRECTORY	E/M E/M E/M	32	A-PL-KW11-L-0 B-DD-KW11-L	LINE TIME CLOCK KW11-L DRAWING DIRECTORY	E/M E/M
29	D-UA-RH11-0-0 B-DD-RH11-0	MASSBUS CONTROLLER RH11 DRAWING DIRECTORY	E/M E/M	33	D-UA-RX11-0-0 D-UA-RX11-DD-0 B-DD-RX11-0	FLOPPY DISK SUBSYSTEM FLOPPY DISK SUBSYSTEM (50Hz) RX11 DRAWING DIRECTORY	E/M E/M E/M
				34	E-UA-BALL-F-0 B-DD-BALL-F	MOUNTING BOX ASSY BALL-F DRAWING DIRECTORY	E/M E/M

TYPE: E ELECTRICAL
M MECHANICAL
E/M ELECTRO/MECHANICAL

digital

TITLE

ARITHMETIC PROCESSOR
KL10-E

SHEET 10 of 16

SIZE CODE
B DD

NUMBER
KL10-E

REV
M

FIND NO.	DRAWING NO.	DESCRIPTION	TYPE	FIND NO.	DRAWING NO.	DESCRIPTION	TYPE
35	E-UA-H7420-0-0	POWER SUPPLY H7420	E/M	40	D-IA-7414737-0-0	PANEL INDICATOR	M
	B-DD-H7420-0	H7420 DRAWING DIRECTORY	E/M		C-SS-7414747-0-1	SILKSCREEN (LIGHT GRAY)	M
					C-SS-7414747-0-2	SILKSCREEN (DARK GRAY)	M
					C-SS-7414747-0-3	SILKSCREEN (BLASI BLUE)	M
					C-SS-7414747-0-4	SILKSCREEN (BRIGHT COPEN BLU)	M
36	E-UA-H744-0-0	+5V REGULATOR	E/M				
	B-DD-H744-0	H744 DRAWING DIRECTORY	E/M				
				41	A-PL-7010865-0-0	SHIPPING BRACKET	M
					B-MD-7413486-0-0	BRKT, SHIPPING	M
37	E-UA-H745-0-0	-15V REGULATOR	E/M				
	B-DD-H745-0	H745 DRAWING DIRECTORY	E/M				
				42	D-IA-7010167	SUPPORT HARNESS	M
					C-MD-7412442-0-0	BRACKET CABLE RETAINING	M
					C-MD-7412442-1-0	BRACKET CABLE RETAINING	M
					C-MD-7412443-0-0	CABLE HOLDER	M
38	E-UA-861-0-0	POWER CONTROL 861	E/M				
	B-DD-861-0	861 DRAWING DIRECTORY	E/M				
				43	E-AD-7009878-0-0	CAPACITOR BOX ASSY	E/M
					E-IA-7411731-0-0	BOX CAPACITOR	M
					D-IA-7411867-0-0	BUSSING PLATE	M
					D-IA-7411868-0-0	BUSSING PLATE TOP	M
					C-MD-7411873-0-0	PROTECTION PLATE	M
39	A-PL-7011769-0-0	CONSOLE REWORK	M		B-MD-7412614-0-0	STAND-OFF MALE/FEMALE	M
	D-CS-5409701-0-1	CONSOLE (KY11-D)	E		C-IA-7412340-0-0	HOLD DOWN CAPACITOR	M
					B-MD-7410941-0-0	STRAIN RELIEF CABLE	M
					B-DC-5308754-0-0	DECAL 21 POINT	M
					C-IA-7411829-0-0	PLATE MTG	M
					D-CS-7009878-0-1	CIRCUIT SCHEMATIC	E
					K-PL-7009878-0-DBP	CAPACITOR BOX ASSY	E/M

TYPE: E ELECTRICAL
M MECHANICAL
E/M ELECTRO/MECHANICAL



TITLE	SIZE	CODE	NUMBER	RF
ARITHMETIC PROCESSOR KL10-E	SHEET 11 of 16	B DD	KL10-E	M

FIND NO.	DRAWING NO.	DESCRIPTION	TYPE	FIND NO.	DRAWING NO.	DESCRIPTION	TYPE
44	E-UA-H770-0-0 B-DD-H770-0-0	+15V REGULATOR H770 H770 DRAWING DIRECTORY	E/M E/M	47	B-DC-5308753-3-0 B-DC-5308753-1-0 B-DC-5308753-23-0 B-DC-5308753-27-0 B-DC-5308944-5-0 B-DC-5308943-0-0 B-DC-5308943-9-0 B-DC-5308943-5-0 B-DC-5308943-7-0 B-DC-5308943-9-0 B-DC-5308943-11-0 B-DC-5308943-13-0 B-DC-5308943-15-0 B-DC-5308943-17-0 B-DC-5308943-19-0 D-IA-7009546-0-0 E-IA-7010307-0-0 E-IA-7009547-0-0 E-IA-7009545-0-0 D-CS-G8010-0-0 D-CS-G8011-0-0 D-CS-G8013-0-1 D-CS-G8014-0-1	DECAL 21 POINT (LETTERS) DECAL 21 POINT (LETTERS) DECAL 21 POINT (LETTERS) DECAL 21 POINT (LETTERS) DECAL 12 POINT (LETTERS) DECAL 12 POINT DECAL 12 POINT (NUMBERS) DECAL 12 POINT (NUMBERS) DECAL 12 POINT (NUMBERS) DECAL 12 POINT (NUMBERS) DECAL 12 POINT (NUMBERS) DECAL 12 POINT (NUMBERS) DECAL 12 POINT (NUMBERS) DECAL 12 POINT (NUMBERS) HARNESS SENSE HARNESS AC FAN H761 HARNESS OPEN SENSE HARNESS DRIVE SCR & SCR RTN -5.2V CONTROL -2.0V CONTROL +10V REFERENCE DC LOW VOLTAGE DETECTOR	M M M M M M M M M M M M M M M E/M E/M E/M E/M E E E
45	D-AD-7010311-0-0 C-IA-7412711-0-0	CABLE CONVERSION PLATE ASSY PLATE CONN	E/M M	48	E-AD-7009405-0-0 A-PL-7009405-0-0 D-IA-7411262-0-0 D-IA-7411000-0-0 C-IA-7410999-0-0 C-IA-7411136-0-0 C-IA-7411137-0-0 C-IA-7411137-0-0 E-IA-7411001-0-0 B-MD-7411295-0-0 D-CS-5410665-0-0 D-CS-H761-0-1	REGULATED HEAT SINK ASSY (-5.2V) REGULATED HEAT SINK ASSY (P.L.) MTG PLATE HEAT SINK SUPPORT HEAT SINK RET. BRKT HEAT SINK BUSSING STRIP NO. 1 BUSSING STRIP NO. 2 BUSSING STRIP NO. 2 BRACKET FAN STANDOFF BUSSING -5.2V BOARD CIRCUIT SCHEMATIC	E/M E/M M M M M M M M M M M E E
46	D-AD-7009361-0-0	HOUSING ASSY RECEPTACLE	M				
47	E-UA-H761-0-0 A-PL-H761-0-0 E-IA-7410991-0-0 E-IA-7410993-0-0 D-IA-7411571-0-0 B-MD-7411529-0-0 C-IA-7411554-0-0 C-MD-7411531-0-0 C-MD-7411532-0-0 B-MD-7412425-0-0 D-IA-7411571-2-0 A-DC-7409873-0-0 B-DC-5308944-0-0 B-DC-5308754-0-0 B-DC-5308754-5-0 B-DC-5308754-7-0 B-DC-5308754-9-0 B-DC-5308754-11-0 B-DC-5308754-13-0 B-DC-5308754-15-0 B-DC-5308754-17-0 B-DC-5308753-0-0	REGULATED POWER SUPPLY H761 REGULATED POWER SUPPLY H761 (P.L.) CHASSIS REG. POWER SUPPLY SUPPORT CIRCUIT BREAKER SUPPORT REG. ASSY CONN BUSS BAR STRIP BUSSING RETURN BUSS BAR NO. 1 (-12V) BUSS BAR NO. 2 (-12V) CONN PINS PROTECTION PLATE SUPPORT REG ASSY DECAL PWR CONN DECAL 12 POINT DECAL 21 POINT DECAL 21 POINT (NUMBERS) DECAL 21 POINT (NUMBERS) DECAL 21 POINT (NUMBERS) DECAL 21 POINT (NUMBERS) DECAL 21 POINT (NUMBERS) DECAL 21 POINT (NUMBERS) DECAL 21 POINT (NUMBERS) DECAL 21 POINT (NUMBERS) DECAL 21 POINT (LETTERS)	E/M E/M M M M M M M M M M M M M M M M M M M M				

TYPE: E ELECTRICAL M MECHANICAL E/M ELECTRO/MECHANICAL	digital	TITLE ARITHMETIC PROCESSOR KL10-E	SHEET 12 OF 18	SIZE B	CODE DD	NUMBER KL10-E	REV M
--	----------------	--------------------------------------	----------------	--------	---------	---------------	-------

MR

FIND NO.	DRAWING NO.	DESCRIPTION	TYPE	FIND NO.	DRAWING NO.	DESCRIPTION	TYPE
47	E-AD-7009404-0-0	REGULATED HEAT SINK ASSY (-2.0V)	E/M	52	E-UA-H760-0-0	RAW POWER SUPPLY (H760)	E/M
	A-PL-7009404-0-0	REGULATED HEAT SINK ASSY (P.L.)	E/M		A-PL-H760-0-0	RAW POWER SUPPLY (P.L.)	E/M
	D-IA-7411262-0-0	MTG PLATE HEAT SINK	M		E-IA-7410892-0-0	CHASSIS POWER SUPPLY	M
	D-IA-7411000-0-0	SUPPORT HEAT SINK	M		C-MD-7410893-0-0	PLATE MOUNTING	M
	C-IA-7410999-0-0	RET. BRKT HEAT SINK	M		C-MD-7410903-0-0	HINGE REWORK	M
	C-IA-7411136-0-0	BUSSING STRIP NO. 1	M		D-MD-7410902-0-0	ANGLE COVER MTG.	M
	C-IA-7411137-0-0	BUSSING STRIP NO. 2	M		D-MD-7410902-1-0	ANGLE COVER MTG. A.H.	M
	C-IA-7411136-2-0	BUSSING STRIP NO. 1	M		D-MD-7411558-0-0	COVER PROTECTION #3	M
	E-IA-7411001-0-0	BRACKET FAN	M		D-MD-7411586-0-0	PLATE PROTECTION	M
	B-MD-7411295-0-0	STANDOFF BUSSING	M		D-MD-7411558-2-0	COVER PROTECTION	M
	C-IA-7411137-2-0	BUSSING STRIP NO. 2	M		D-IA-7410898-0-0	COVER POWER SUPPLY	M
	D-CS-5410663-0-1	-2.0V BOARD	E		C-IA-7413131-0-0	CAP MOUNTING BRKT #1	M
	D-CS-H761-0-1	CIRCUIT SCHEMATIC	E		C-IA-7413454-0-0	SUPPORT COVER	M
					E-IA-7009744-0-0	HARNESS INTERCONNECTION	E/M
					E-IA-7011036-0-0	POWER CORD #760	E/M
					C-IA-7010844-0-0	POWER CABLE	E/M
					C-IA-7010844-2-0	POWER CABLE #2	E/M
					C-IA-7010844-3-0	POWER CABLE #3	E/M
					C-IA-7010845-1-0	POWER CABLE #2	E/M
					C-IA-7010845-0-0	POWER CABLE	E/M
					C-IA-7010845-3-0	POWER CABLE #2	E/M
					C-IA-7010845-4-0	POWER CABLE #2	E/M
50	E-IA-7010162-0-0	COVER ASSY	M		D-CS-H760-0-1	CIRCUIT SCHEMATIC	E
	E-MD-7412429-0-0	SCREEN COVER	M				
	E-MD-7412430-0-0	SIDE LEFT	M				
	E-MD-7412428-0-0	SIDE RIGHT	M				
	C-MD-7412427-0-0	SLOT PROTECTION	M				
	C-MD-7412467-0-0	STIFFENER ANGLE	M				
	C-MD-7412467-2-0	STIFFENER ANGLE	M				
	C-MD-7412469-0-0	STRIP SCREEN #1	M				
	B-MD-7412470-0-0	STRIP SCREEN #2	M				
	D-MD-7412426-0-0	FLANGE PROTECTION	M				
				53	E-AD-7009409-0-0	DIODE HEAT SINK ASSY	E/M
					B-MD-7411475-0-0	ROD THREADED	M
					D-MD-7410896-0-0	FAN BRACKET	M
					D-IA-7410897-0-0	HEAT SINK SUPPORT	M
					B-MD-7411460-0-0	PANEL BAFFLE	M
51	C-AD-7010100-0-0	WIRED ASSY REG PWR SUPPLY	E/M				
	D-MD-7409755-0-0	MTG BAR CONN BLOCK	M				
	K-WL-7010100-0-WL	WIRE LIST	E				
	A-WT-7010100-0	H761 AWT REV STATUS	E				
				54	D-AD-7009410-0-0	COMPONENT MTG PLATE ASSY	E/M
					E-MD-7410899-0-0	COMPONENT MTG PLATE	M
					C-IA-7410900-0-0	CAP MTG BRACKET #1	M
					C-IA-7410901-0-0	CAP MTG BRACKET #3	M

TYPE: E ELECTRICAL
M MECHANICAL
E/M ELECTRO/MECHANICAL



TITLE
ARITHMETIC PROCESSOR
KL10-E

SHEET 13 of 18
B DD

NUMBER
KL10-E
R / M

DRB 108A

MR

FIND NO.	DRAWING NO.	DESCRIPTION	TYPE	FIND NO.	DRAWING NO.	DESCRIPTION	TYPE
55	D-IA-7009772-0-0	SCREEN WELDMENT #1	M		D-CS-W516-Ø-1	L.V. DETECTOR	
	C-MD-7411708-0-0	BRACKET SCREEN #1	M		D-CS-W8Ø15-Ø-1	CONTROL LOGIC	E
	C-MD-7411555-0-0	PROTECTION SCREEN #1	M		D-CS-W8Ø17-Ø-1	INDICATOR DRIVER	E
					D-CS-W7ØØØ-Ø-1	POWER SUPPLY	E
56	D-IA-7009773-0-0	SCREEN WELDMENT #2	M				
	D-MD-7411709-0-0	BRACKET SCREEN #2	M	59	C-AD-7009632-0-0	WIRED ASSY 863	E/M
	D-MD-7411557-0-0	PROTECTION SCREEN #2	M		B-MD-7409755-0-0	MTG BAR CONN BLOCK	M
					A-WT-7009632-0	AWT STATUS SHEET	E
57	C-IA-7010838-0-0	CAPACITOR SUPPORT WELDMENT	M				
	C-IA-7413132-0-0	PLATE CAP MOUNTING	M	60	C-IA-7010455-0-0	CONN HOUSING ASSY	M
	C-IA-7413456-0-0	BRACKET CAP MOUNTING	M		C-IA-7012904-0-0	CONN HOUSING PART 1	M
					C-IA-7012905-0-0	CONN HOUSING PART 2	M
58	E-UA-863-Ø-Ø	POWER CONTROLLER 863	E/M				
	A-PL-863-Ø-Ø	POWER CONTROLLER 863 (P.L.)	E/M				
	E-IA-7412288-0-0	CHASSIS POWER CONTROL	M	61	E-AD-7012278-0-0	LOGIC ASSY RH2Ø DTE2Ø	E/M
	E-IA-7412256-0-0	PANEL FRONT	M		A-PL-7012278-0-0	LOGIC ASSY RH2Ø DTE2Ø (P.L.)	E/M
	D-IA-7412187-0-0	SUPPORT FILTER NO. 1	M		D-UA-M8559-Ø-Ø	I/O BOX CLOCK DISTRIBUTION	E/M
	D-IA-7411290-0-0	COVER POWER CONTROL	M		B-DD-M8559-Ø	M8559 DRAWING DIRECTORY	E/M
	C-IA-7412113-0-0	CONN BRACKET NO. 1	M				
	D-IA-7412118-0-0	CONN BRACKET NO. 2	M				
	B-DC-7413472-0-0	DECAL 863 PWR CONTROL	M				
	E-IA-7412278-0-0	PANEL SIDE	M				
	C-MD-7412280-0-0	CONN BRACKET NO. 3	M				
	C-IA-7413005-0-0	PLATE OUTLET 30 AMP	M				
	D-IA-7010732-0-0	HARNESS CAPACITOR	E/M				
	D-IA-7010734-0-0	HARNESS DC NO. 5	E/M	62	E-IA-7009859-0-0	COOLING ASSY	M
	E-IA-7010585-0-0	HARNESS DC NO. 2	E/M		D-IA-7411599-0-0	DOOR RIGHT	M
	E-IA-7010586-0-0	HARNESS DC NO. 1	E/M		D-IA-7411600-0-0	DOOR LEFT	M
	D-IA-7010731-0-0	HARNESS AC NO. 4	E/M		B-IA-7411807-0-0	BRACKET MICROSWITCH	M
	D-IA-7010733-0-0	HARNESS FAULT INDICATOR	E/M		B-MD-7411498-0-0	PLATE COVER	M
	E-IA-7010587-0-0	HARNESS DC NO. 3	E/M		C-MD-7412366-0-0	COVER CABLE	M
	E-IA-7010588-0-0	HARNESS TRANSFORMER AC	E/M				
	D-CS-863-Ø-1	CIRCUIT SCHEMATIC	E				

TYPE: E ELECTRICAL
M MECHANICAL
E/M ELECTRO/MECHANICAL

digital

TITLE ARITHMETIC PROCESSOR
KL1Ø-E

SHEET 14 OF 16 B DD NUMBER KL1Ø-E REV M

FIND NO.	DRAWING NO.	DESCRIPTION	TYPE	FIND NO.	DRAWING NO.	DESCRIPTION	TYPE
				67	D-UA-5411360-0-0	SWITCH BOARD	E/M
					B-DD-5411360-0	DRAWING DIRECTORY	E/M
63	E-IA-7009775-0-0	CHASSIS WELDMENT COOLING ASSY	M				
	E-IA-7411722-0-0	CARD GUIDE CHASSIS	M				
	E-IA-7411722-2-0	CARD GUIDE CHASSIS	M				
	E-IA-7411721-0-0	CHASSIS SUPPORT	M	68	E-AD-7009429-0-0	WIRED ASSY RH20/DTE20	E/M
	E-IA-7411721-2-0	CHASSIS SUPPORT	M		A-PL-7009429-0-0	WIRED ASSY RH20/DTE20 (P.L.)	E/M
	B-MD-7411830-0-0	STIFFENER CHASSIS	M		E-IA-7411997-0-0	CONN PANEL I/O	M
					D-MD-7411998-0-0	BAR BACKPLANE TOP & BOT	M
					C-IA-7412121-0-0	BAR CONN PANEL	M
					C-MD-7408967-0-0	STRIP INSULATOR	M
					A-DC-7413453-0-0	DECAL	M
					A-DC-7411881-0-0	DECAL LOGIC ASSY REVISION	M
					B-DC-5308753-0-0	DECAL 21 POINT	M
					B-DC-5308753-15-0	DECAL 21 POINT (S)	M
					B-DC-5308753-17-0	DECAL 21 POINT (K)	M
					B-DC-5308753-19-0	DECAL 21 POINT (L)	M
64	D-IA-7009839-0-0	CENTER SUPPORT ASSY	M			FIXTURE DRAWINGS REF	
	D-IA-7411806-0-0	SUPPORT CENTER	M				
	B-MD-7411805-0-0	HINGE CENTER SUPPORT	M		E-MD-9606103-0-0	WIRE WRAP PALLET	M
65	D-IA-7011520-0-0	VANE SWITCH ASSY	E/M				
	D-MD-7414328-0-0	BRACKET SWITCH	M				
				69	D-IA-7010211-0-0	MASSBUS TRANSITION BOARD ASSY	E/M
66	D-AD-7010103-0-0	SWITCH ASSY	E/M				
	D-UA-M8564-0-0	JUMPER INTERRUPT	E/M				
	B-DD-M8564-0	M8564 DRAWING DIRECTORY	E/M	70	D-UA-5411070-0-0	BOARD MASSBUS	E/M
					B-DD-5411070-0	DRAWING DIRECTORY	E/M

TYPE: E ELECTRICAL
M MECHANICAL
E/M ELECTRO/MECHANICAL



TITLE	ARITHMETIC PROCESSOR KL10-E	SHEET 15 of 18	SIZE	CODE	NUMBER	REV
		B	DD	KL10-E	M	

FIND NO.	DRAWING NO.	DESCRIPTION	TYPE	FIND NO.	DRAWING NO.	DESCRIPTION	TYPE
				85	A-PL-DB11-A-0 A-ML-DB11-A	BUS REPEATER DB11-A DB11-A MASTER LIST	E/M E/M
80	E-UA-MB20-C-0 E-UA-MB20-GB-0 B-DD-MB20-0	CORE MEMORY MB20 CORE MEMORY MB20 MB20 DRAWING DIRECTORY	E/M E/M E/M	85	E-UA-MF20-0-0 B-DD-MF20-0 C-PL-MF20-0-0	MOS MEMORY MOS MEMORY MF20 (DRAWING DIRECTORY) MOS MEMORY (PARTS LIST)	E/M E/M E/M
81	D-AD-7009876-0-0 D-MD-7411372-0-0	VAN SWITCH ASSY BRACKET SWITCH	E/M M				
82	D-IA-7012343-0-0 D-MD-7415530-0-0 D-MD-7415623-0-0	DIFFUSER SCREEN ASSY DIFFUSER SCREEN BRKT MTG DIFFUSER	M M M	87	D-UA-DC20-0-0 B-DD-DC20-0 C-PL-DC20-0-0	DC20 COMM. EXP SYSTEMS COMMUNICATIONS SYSTEM DC20 (DRAWING DIRECTORY) DC20 COMM. EXP SYSTEMS (PARTS LIST)	E/M E/M E/M
83	D-IA-7012686-0-0 D-MD-7417085-0-0 D-MD-7416580-0-0	FINGER GUARD ASSY HOUSING SCREEN	M M M	88	D-AD-7018287-0-0 K-PL-7018287-0-DBF A-D-SP-7018287-0-1 J-IA-7018284-0-0 C-IA-7424854-0-0 A-PS-3617588-0-0 A-SF-3700599-0-0	ASSY DC VOLTAGE MONITOR MEMORY ASSY DC VOLTAGE MONITOR MEMORY DC VOLTAGE MONITOR-MEMORY INSTALLATION PROCEDURE HARNESS, MEMORY DC MONITOR PLATE, FRONT LABEL, SET, DCV MONITOR PKG KIT 7018287 DC VOLTAGE MONITOR	E/M E/M E/M M M M
84	D-AD-7013838-0-0 D-IA-7418364-0-0	PANEL ASSY INTERFACE PANEL CONNECTOR	M M	89	D-IA-701918C-0-0 K-PL-701818C-0-DBF C-MC-7424853-0-0 D-IA-7424852-0-0	WELDMENT, CARD CAGE WELDMENT, CARD CAGE BRACKET, CARD GUIDE PANEL, SIDE	M M M M

TYPE: E ELECTRICAL M MECHANICAL E/M ELECTRO/MECHANICAL	digital	TITLE ARITHMETIC PROCESSOR KL10-E	SHEET 17 F 16	SIZE B CODE DD	NUMBER KL10-E	REV M
--	----------------	---	---------------	-------------------	------------------	----------

FIND NO.	DRAWING NO.	DESCRIPTION	TYPE	FIND NO.	DRAWING NO.	DESCRIPTION	TYPE
90	B-DD-5414506-1	VOLTAGE MONITOR BOARD	E				
91	D-AD-7018288-0-0	ASSY, DC VOLTAGE MONITOR I/O #1	E/M				
	K-PL-7018288-0-DBP	ASSY, DC VOLTAGE MONITOR I/O #1	E/M				
	A/D-SP-7018288-0-1	ASSY, DC VOLTAGE MONITOR I/O #1 INSTALLATION PROCEDURE	E/M				
	J-IA-7018286-0-0	HARNESS, I/O SHORT	E/M				
	C-IA-7424854-C-0	PLATE, FRONT	M				
	A-PS-3617588-0-0	LABEL, SET, DCV MONITOR	M				
	A-PS-3617997-0-0	LABEL, DIB20 OPTION VOLTAGES	M				
	A-SP-3700599-0-0	PKG KIT 7018287 DC VOLTAGE MONITOR	M				
	K-PL-7018286-0-DBP	HARNESS, I/O SHORT	E/M				
92	C-IA-7017572-0-0	ASSY, THERMAL SWITCH	E/M				
	K-PL-7017572-C-DBP	ASSY, THERMAL SWITCH	E/M				
	C-IA-7423855-C-0	BRACKET THERMAL SWITCH	M				
	A-DC-7409872-0-0	POWER HARNESS DECALS (PI-F40)	M				
93	D-IA-7018942-0-0	STRAIN RELIEF WELDMENT	M				
	C-MD-7426362-0-0	CLAMP CABLE STRAIN RELIEF	M				
	C-MD-7426363-0-0	PLATE MOUNTING STRAIN RELIEF	M				

TYPE: E ELECTRICAL
M MECHANICAL
E/M ELECTRO/MECHANICAL

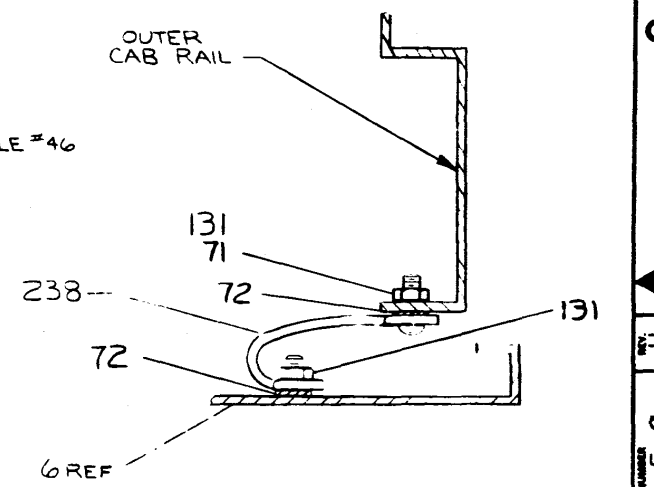
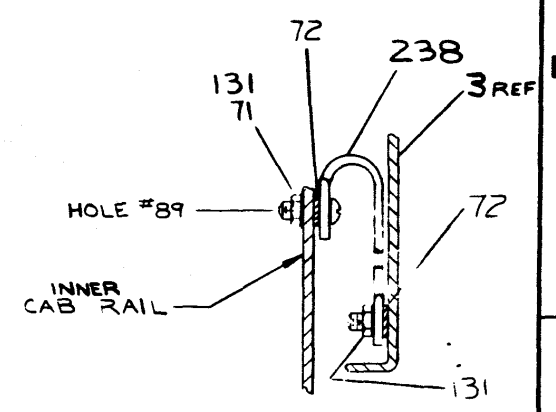
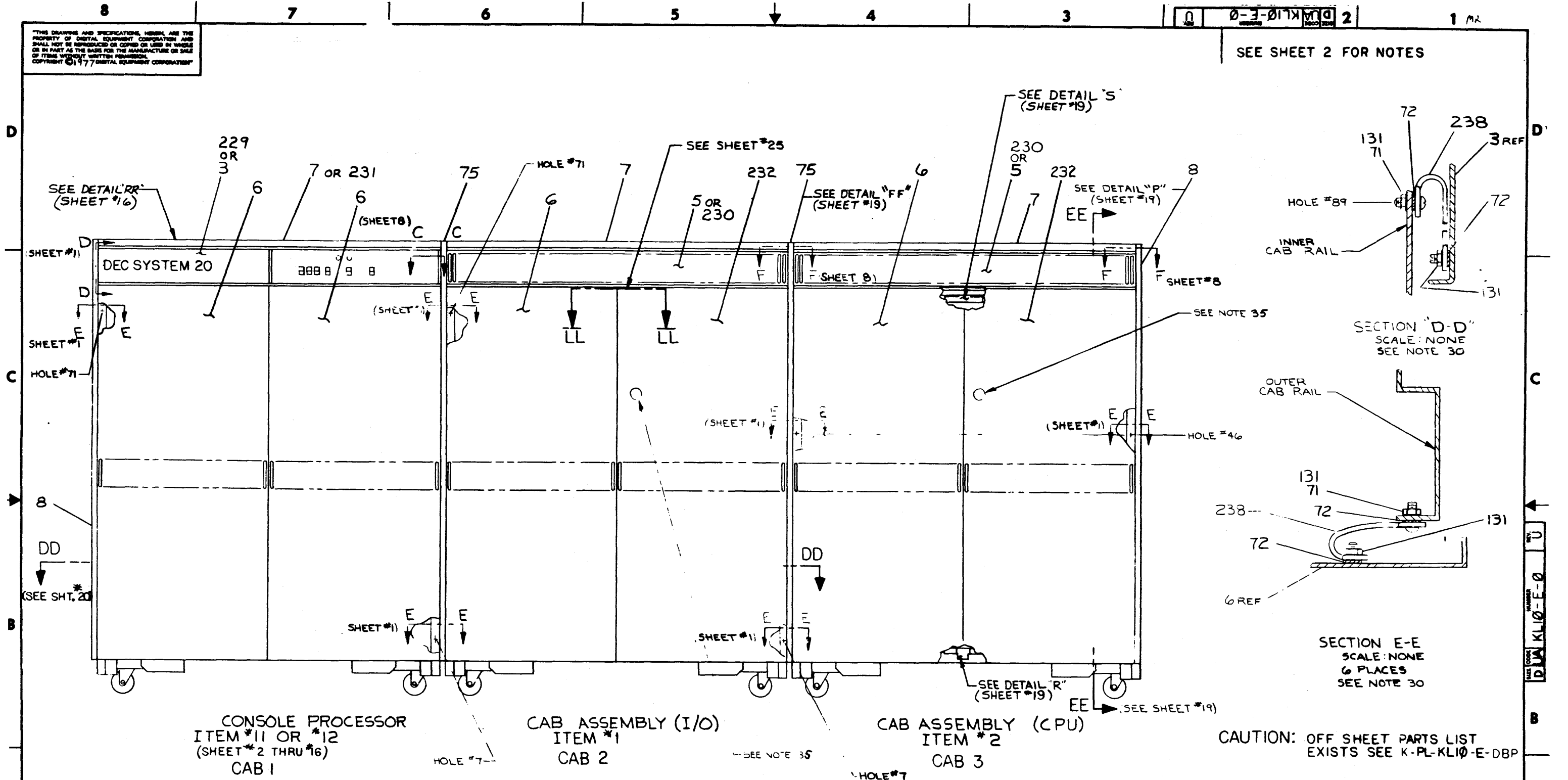


TITLE ARITHMETIC PROCESSOR
KL10-E

SHEET 18 OF 18 SIZE CODE NUMBER REV
B DD KL10-E M

THIS DRAWING AND SPECIFICATIONS HEREIN ARE THE PROPERTY OF DIGITAL EQUIPMENT CORPORATION AND SHALL NOT BE REPRODUCED OR COPIED OR USED IN WHOLE OR IN PART AS THE BASIS FOR THE MANUFACTURE OR SALE OF ITEMS WITHOUT WRITTEN PERMISSION. COPYRIGHT © 1977 DIGITAL EQUIPMENT CORPORATION

SEE SHEET 2 FOR NOTES



CONSOLE PROCESSOR
ITEM #11 OR #12
(SHEET #2 THRU #16)
CAB 1

CAB ASSEMBLY (I/O)
ITEM #1
CAB 2

CAB ASSEMBLY (CPU)
ITEM #2
CAB 3

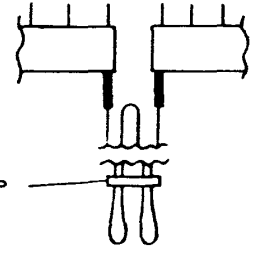
CAUTION: OFF SHEET PARTS LIST
EXISTS SEE K-PL-KLIØ-E-DBP

REV.	DATE	BY	CHK	DESCRIPTION
1				REVISED TO ADD HOLE #71
2				REVISED TO ADD HOLE #46
3				REVISED TO ADD HOLE #89
4				REVISED TO ADD HOLE #7
5				REVISED TO ADD HOLE #7
6				REVISED TO ADD HOLE #7
7				REVISED TO ADD HOLE #7
8				REVISED TO ADD HOLE #7

DESCRIPTION	DWG./PART NO.	ITEM NO.
UNLESS OTHERWISE SPECIFIED DIMENSIONS ARE IN INCHES		
ANGLES 30° 30'	GLASS OF ACCURACY	NOMINAL DIMENSION RANGE INCHES
SURFACE QUALITY IN	MEDIUM	OVER 12.9 TO 48.9 ±.04
QUANTITY & VARIATION	MICRONCHES	PREFERRED
THIRD ANGLE PROJECTION	DRN.	FIRST USED ON
REMOVE BURRS AND BREAK SHARP CORNERS	CHK'G	KLIØ-E
DO NOT SCALE DWG	ENG.	TITLE
MATERIAL	PROJ. B/P	ARITHMETIC PROCESSOR
FINISH	PROD.	SIZE CODE
	NEXT HIGHER ASSY.	D UA
		NUMBER
		KLIØ-E-Ø
		REV.
		U
		SHEET
		OF 39
		DIST.

THIS DRAWING AND SPECIFICATIONS HEREIN ARE THE PROPERTY OF DIGITAL EQUIPMENT CORPORATION AND SHALL NOT BE REPRODUCED OR COPIED OR USED IN WHOLE OR IN PART AS THE BASIS FOR THE MANUFACTURE OR SALE OF ITEMS WITHOUT WRITTEN PERMISSION FROM DIGITAL EQUIPMENT CORPORATION.

NOTES:

1. THERE IS AN INTERLOCK ARRANGEMENT IN EFFECT BETWEEN THE STABILIZER ARMS AND THE 11/40 AND PERIPHERALS DRAWER. NEITHER DRAWER WILL SLIDE OUT UNTIL THE STABILIZER ARM ASSOCIATED WITH THAT DRAWER IS FULLY EXTENDED. BOTH STABILIZER ARMS SHOULD BE EXTENDED WHEN EITHER DRAWER IS PULLED OUT IN ORDER TO PROVIDE AN ADDED FACTOR OF STABILITY. (SEE SHEET "A")
 2. IF NO ADDITIONAL OPTIONS ARE PRESENT, THERE WILL BE NO ADDITIONAL UNIBUS CABLE OUT. THE M830 TERMINATOR WILL BE INSTALLED IN SLOT A004 (OR A005) OF THE LAST OPTION ON THE UNIBUS. THE DC11A CABLE ITSELF WILL BE PART OF THE EXPANSION CABINET PACKAGE. (SEE SHEETS "C" & "D")
 3. IF NO SECOND LP20 OPTION IS INSTALLED, THIS SPACE WILL NOT BE USED FOR ANY OTHER OPTION. (SEE SHEET "G")
 4. ALL OPTIONS WILL BE INTERCONNECTED WITH TWO FOOT UNIBUS CABLES (DC11A-B2) INSTEAD OF THE USUAL M920 JUMPER MODULE. THESE CABLES WILL BE FOLDED AND TIE WRAPPED AS SHOWN BELOW. (SEE SHEET "G")
- 
5. IF NO SECOND DC20 OPTION IS INSTALLED, THIS SPACE WILL NOT BE USED FOR ANY OTHER OPTION. UNIBUS CONNECTIONS BETWEEN THE FIRST DM11 AND THE LP20 WILL BE MADE BY USING AN UNFOLDED, UNTIE-WRAPPED DC11A-B2. (SEE SHEET "G")
 6. NO CURRENT LOOP OR INTEGRAL MODEN CAPABILITY PROVIDED IN BASIC PACKAGE. (SEE SHEET "G")
 7. SEE DETAIL DRAWINGS ON SHEETS 9, 10, 11 AND 12 FOR CABLE ROUTING AND FOLDING INFORMATION.
 8. TO INSTALL BC00S CABLES ON M5900 IN SLOT A007, REMOVE M7821 IN SLOT A00, FOLD CABLES AS SHOWN IN DETAIL "C". INSERT IN J1 AND J2, RESPECTIVELY, WITH SHIELD SIDE AGAINST BOARD. AFTER FIRST HAVING RUN CABLES DOWN FROM THE CABLE TROUGH THRU THE MODULES, AND REINSERT ALL MODULES. (SEE SHEET "G")
 9. TO INSTALL CABLES ON M7807 IN SLOT C0E01 AND M7000 IN SLOT C0E02, REMOVE M7921 IN SLOT A02 AND M790 IN SLOT B02, FOLD CABLES AS SHOWN IN DETAIL "C". INSERT IN J1 AND J2 OF BOTH BOARDS, RESPECTIVELY, WITH WIRE SIDE AGAINST BOARD. AFTER FIRST HAVING RUN CABLES DOWN FROM THE CABLE TROUGH THRU THE MODULES, AND REINSERT ALL MODULES. (SEE SHEET "G")
 10. LEAVE SUFFICIENT SERVICE LOOP SO THAT DRAWER CAN BE PULLED ALL THE WAY OUT WITHOUT CREATING TENSION ON THE CABLES. TIEWRAP CABLE BUNDLE AS REQUIRED. (SEE SHEETS "G" & "D")
 11. THE CONTROLLER FOR THE RX01/RX02 (M7846) IS LOCATED IN SLOT C0E03 OF DM11-B IN THE 11/40 DRAWER. (SEE SHEET "G")
 12. INSTALL ITEM #83 (VINYL FOAM TAPE) BETWEEN UNIBUS AND OTHER CABLES WHERE UNIBUS GOES THRU CABLE CLAMPS. ALSO INSTALL ON UNIBUS CABLES THAT GO BETWEEN CABINETS. AND ON THE RIGHT HAND SIDE OF THE FRONT PANEL ASSEMBLY WHERE UNIBUS AND COMMUNICATION CABLES ARE RUN.

13. DC20-AA WILL CONTAIN ONLY THE TWO BC00R AND ONE BC00S CABLES IN SLOTS J10, J17, AND J18. DC20-AD WILL CONTAIN ALL FOUR BC00R AND TWO BC00S CABLES IN SLOTS J10, J17, J18, J19, J20, AND J21 AS SHOWN. A DC20-DA UPGRADE KIT WILL INCLUDE TWO BC00R AND ONE BC00S CABLES FOR USE IN SLOTS J19, J20 AND J21 IF THE USER DESIRES TO UPGRADE FROM A DC20-AA TO -AD. (SEE SHEET "H")
14. THE BC00R-10 LP20 CABLE IS PART OF THE LP20 PACKAGE. ONE END WILL CONNECT TO THE BERG CONNECTOR (J1) ON THE M0587 MODULE IN SLOT ABCDEF03 OF THE LP20 OPTION (R10 (WIRE) SIDE TOWARD MODULE, RED LINE AWAY FROM HANDLE). THE OTHER END WILL CONNECT TO THE CENTER SLOT OF THE RECEPTACLE HOUSING ASSEMBLY (ITEM #81) MOUNTED IN THE CONNECTOR PANEL (ITEM #88) (RED LINE UP). THERE IS ONE CONNECTOR FOR EACH DEVICE MARKED "LP20 #1" AND "LP20 #2", RESPECTIVELY. A SEPARATELY FORECAST AND SUPPLIED 7011426-XX CABLE IS REQUIRED TO CONNECT THE LINE PRINTER ITSELF WITH THE OTHER SIDE OF THE RECEPTACLE HOUSING ASSEMBLY (ITEM #81). FOUR LENGTHS OF CABLE ARE AVAILABLE AS STANDARD ITEMS, 25 FT. (XX-25), 50 FT. (XX-50), 75 FT. (XX-75), AND 100 FT. (XX-100). (SEE SHEETS 3, 10, 11)
15. ALL BC050 AND BC050 CABLES, MODEMS AND TERMINALS MUST BE SEPARATELY FORECAST AND SUPPLIED WHEN REQUIRED. (SEE SHEET "I")
16. "XX" IS TYPICALLY 25 FT. FOR THE BC050 CABLE. CONDITIONS STATED IN EIA SPECIFICATION RS-232-C MUST BE ADHERED TO REGARDLESS OF CABLE LENGTH. (SEE SHEET "I")
17. ACCEPTABLE CUSTOMER EQUIVALENT CABLE FOR GUARANTEED OPERATION IS Belden 8777. (SEE SHEET "I")
18. IF DATA RATE IS 2400 BAUD OR LESS, "XX" MAY BE ANY LENGTH UP TO 1000 FT. IF DATA RATE IS GREATER THAN 2400 BAUD, "XX" MUST NOT EXCEED 250 FT. IF TWO CABLES ARE USED TOGETHER (I.E., BC030 & BC050), THEIR COMBINED LENGTH MUST NOT EXCEED 1000 FT. OR 250 FT., RESPECTIVELY. THE MAXIMUM DATA RATE OF ANY LINE IS 9600 BAUD. CONDITIONS STATED IN EIA SPECIFICATION RS-423 MUST BE ADHERED TO REGARDLESS OF CABLE LENGTH. (SEE SHEET "I")
19. AFFIX LP20 DECAL (ITEM #86) TO CONNECTOR PANEL (ITEM #80) DIRECTLY ABOVE THE TWO RECEPTACLE HOUSING ASSEMBLIES (ITEM #81) IN SUCH A MANNER THAT THE APPROPRIATE TEXT APPEARS OVER EACH CONNECTOR. (SEE SHEET "I")
20. THE H317-B DISTRIBUTION PANEL PROVIDES FOR SEVERAL JUMPER SELECTIONS (SEE SHEET 13). THE DATA TERMINAL READY (DTR) AND REQUEST TO SEND (RTS) LEADS ARE NORMALLY STRAPPED TO A POSITIVE ON VOLTAGE. THIS STRAPPING MUST BE REMOVED FOR LINES THAT USE A FULL MODEN CONTROL ARRANGEMENT IN WHICH THE MODEN CONTROL SIGNALS ARE COMBINED WITH THE DATA SIGNALS ON THE DISTRIBUTION PANEL. THE STRAPPING MUST REMAIN IN FOR LINES WHICH USE ONLY THE DATA SIGNALS.
21. BC00S CABLES ARE SOMETIMES NEITHER MARKED NOR KEYED AND IF THEY ARE IMPROPERLY INSTALLED, THEY CAN CAUSE DAMAGE TO THE EQUIPMENT. ON THE H317-B DISTRIBUTION PANEL, THE RIB (WIRE) SIDE OF THE CABLE MUST BE AWAY FROM THE PANEL MODULE. ON THE M5900 IN THE DM11, THE SMOOTH (SHIELD) SIDE OF THE CABLE MUST BE AWAY FROM THE MODULE. (SEE DETAIL "J" ON SHEET 9). THIS METHOD SHOULD BE USED ONLY IF BERG CONNECTORS ON THE BS00S CABLES ARE NEITHER UNMARKED NOR KEYED. IF THE CABLES ARE MARKED OR KEYED, THEY CAN BE INSTALLED AS SHOWN IN DETAIL "C" ON SHEET 9 OR DETAIL "M" ON SHEET 11.
22. FOLDING PROCEDURE FOR CABLES SHOWN ON SHEET 9, IN DETAIL D (16 LINES):
 - A. ARRANGE CABLES AS SHOWN IN DETAIL "C" (SHEET 9).
 - B. BEGIN BY FOLDING J21 AS SHOWN IN DETAIL "D" (SEE TYPICAL FOLD)
 - C. FOLD J19 SAME AS J21
 - D. INSERT FOLD CREATED BY J19 INTO POCKET OF FOLD CREATED BY J21
 - E. RUN J10, J18, AND J17 THROUGH POCKET CREATED BY FOLD OF J19 AND J21
 - F. FOLD J10 ONE INCH FROM LAST FOLD AS SHOWN IN DETAIL "D". RUN J10 THROUGH POCKET OF FOLD CREATED BY J10
 - G. FOLD J18 ONE INCH FROM LAST FOLD AS SHOWN IN DETAIL "D"
 - H. TIE WRAP EVERY THREE INCHES OR AS NEEDED
23. FOLDING PROCEDURE FOR CABLES SHOWN ON SHEET 9, IN DETAIL "D" (8 LINES):
 - A. ARRANGE J17, J18, J10 AS SHOWN IN DETAIL "C" (SEE TYPICAL FOLD).
 - B. BEGIN FOLDING J10 AS SHOWN IN DETAIL "D". RUN J10 THROUGH POCKET OF FOLD CREATED BY J10.
 - C. FOLD J18 ONE INCH FROM LAST FOLD AS SHOWN IN DETAIL "D".
 - D. TIE WRAP EVERY THREE INCHES OR AS NEEDED.
24. REAR DOORS (ITEMS #9 & 74) ARE PLACED OVER SLIP HINGES (ITEMS #111 & 104). (SEE SHEET #16)
25. KEY SWITCH IS TO BE LEFT IN UNLOCKED POSITION. (SEE SHEET #3)
26. POINT 85 & 86 OF FAULT HARNESS (ITEM #20) CRIMPS TOGETHER TO POINTS 130 & 129 OF I/O DC HARNESS (ITEM #182) WITH CONTACT PIM (ITEM #130) AND IS INSERTED INTO CPU VANE SWITCH ASSY J1. CRIMPING POINT 85 AND 130 INSERT INTO J1-3; POINT 86 AND 129 INSERT INTO J1-1.
27. FOR LOWEST ACCEPTABLE REVISION LEVEL OF ELEMENTS OF CONSOLE PROCESSOR (ITEMS #11 & 12) ASSEMBLY SEE: D-UA-7011410-0-0.
28. REMOVE (2) 1/4-20 STUDS FROM EACH OF THE THREE CABINETS. (ONE IN EACH BOTTOM MEMBER), BEFORE EQUIPMENT IS MOUNTED. REFERENCE SHEET 20, AREA C-6 FOR LOCATION.
29. INSTALL WIRE GROUND STRAP, ITEM 213 TO THE WELDED INSERT ON 11/40 AND PERIPHERAL DRAWER. DRESS WIRE GROUND STRAP ALONG FLEXIBLE CABLE GUIDE AND SECURE AT FRONT INSIDE CABINET FRAME WITH ITEMS NO. 71, 72 & 131. INSURE THAT EXTERNAL TOOTH STAR WASHER IS INSTALLED BETWEEN FRAME SURFACE AND GROUND LUG. (SEE SHEET 4 "REAR VIEW")
30. INSURE THAT EXTERNAL TOOTH STAR WASHER IS INSTALLED BETWEEN FRAME SURFACE AND GROUND LUG. REFERENCE DEC STANDARD WORKMANSHIP #116 FOR PROPER SCREW TORQUING ON ALL GROUND STRAPS.
31. INSURE THAT REFERENCED POINTS ARE TORQUED TO THE FOLLOWING NOMINAL VALUES:

1/4-20 THD	72 IN-LB
5/16-18 THD	132 IN-LB
32. ~~INSTALL KIT PER ITEM 217 WHEN E.C. 435 REQUIREMENTS MUST BE MET.~~
33. INSTALL ITEM #224 TO ALL CABINETS PRIOR TO BOLTING CABINETS TOGETHER
34. "P2" OF THE DB11-A BUS REPEATER IS NOT TO BE PLUGGED IN.
35. INSTALL CSA LOCKING KIT (ITEM 233) PER D-AD-7015507-0-0
36. GROUND FAN (ITEM 41) VIA INSTALLING EXTERNAL TOOTH LOCKWASHER (ITEM 214) BETWEEN THE FRONT FAN FINGERGUARD (ITEM 101) AND THE FAN MOUNTING PLATE (ITEM 105). MAKE THIS CONNECTION AT THE LOWER FAN/FINGER GUARD MOUNTING HOLE.
37. IN THE I/O AND MB20(S) CASE CAGE ASSYS., THERE WILL BE AN ASSORTMENT OF MODULE SIMULATORS (PN 7420793) PRESENT. THESE ARE NEEDED ONLY FOR CERTAIN MODULE CONFIGURATIONS. IF ADDITIONAL I/O OR MEMORY MODULES ARE NEEDED, THE RULE TO FOLLOW IS:
 1. LEAVE THE SIMULATORS IN PLACE WHEREVER POSSIBLE.
 2. REMOVE SIMULATORS ONLY WHEN THEY OBSTRUCT A MODULE TO BE INSERTED.
 3. ALWAYS LEAVE ONE EMPTY SLOT ON EACH SIDE OF A MODULE GROUPING TO ALLOW AIR FLOW ACROSS ALL MODULES.
38. MEMORY AS ASSOCIATED WITH KLI0-E VARIATIONS IS INDICATED IN THE FOLLOWING TABLE:

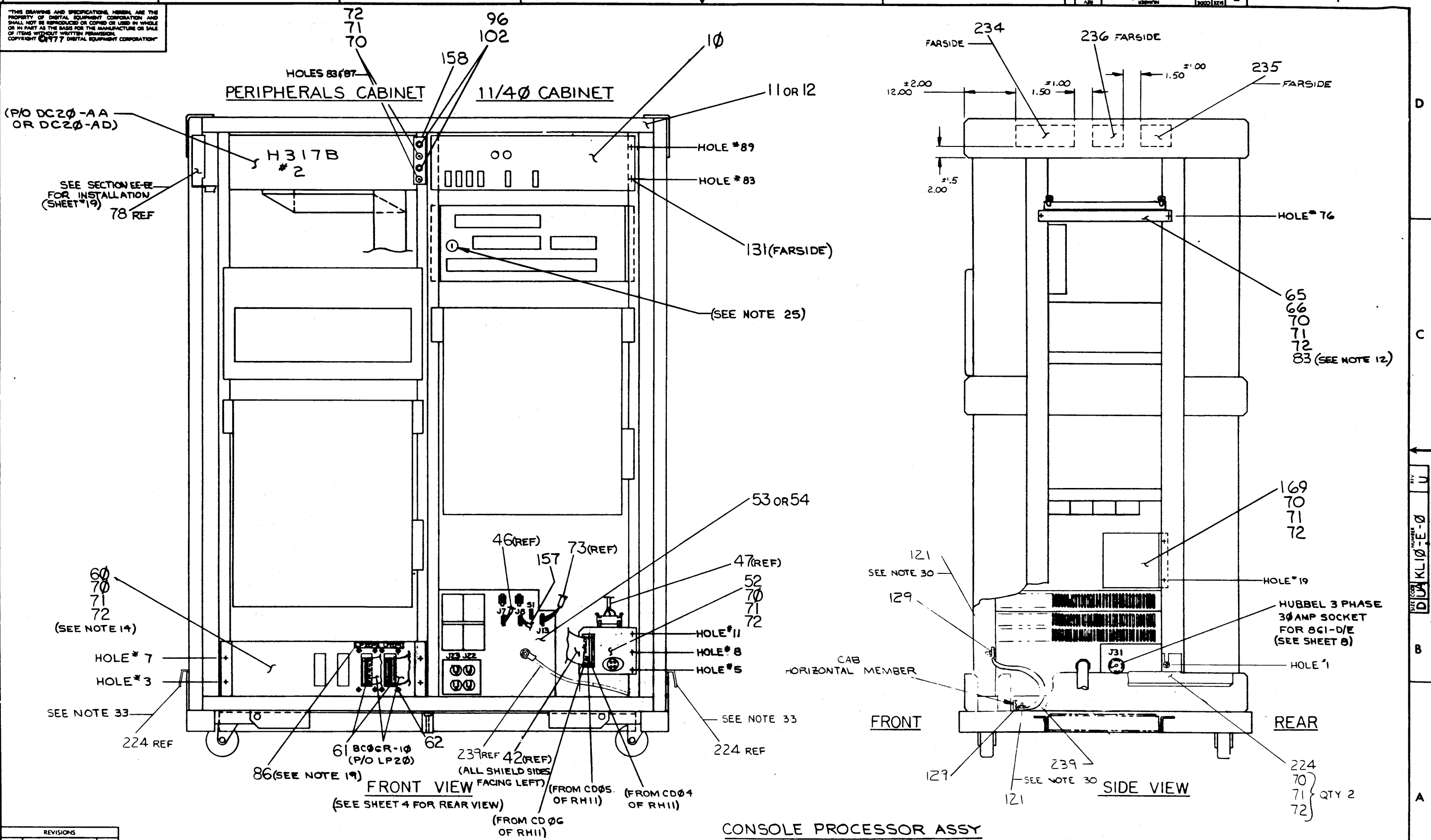
VARIATION	MEMORY	ITEM NO.	TYPE
KLI0-EA	MB20-GA	140	CORE
KLI0-EC	MB20-GC	210	CORE
	MB20-E	243	CORE
KLI0-EB	MB20-GB	141	CORE
	MB20-GD	211	CORE
KLI0-EE	MF20-LA	244	MOD
		245	MOD
KLI0-EF	MF20-LB	245	MOD
KLI0-EJ			

FOR INFORMATION PERTAINING TO ITEM 140, 141, 210, 211, OR 243 REFER TO E-JA-MB20-0-0. FOR INFORMATION PERTAINING TO ITEM 244 OR 245, REFER TO E-UA-MF20-0-0.

39. USE MF20 PRINT SET TO INSTALL INTO KLI0-E

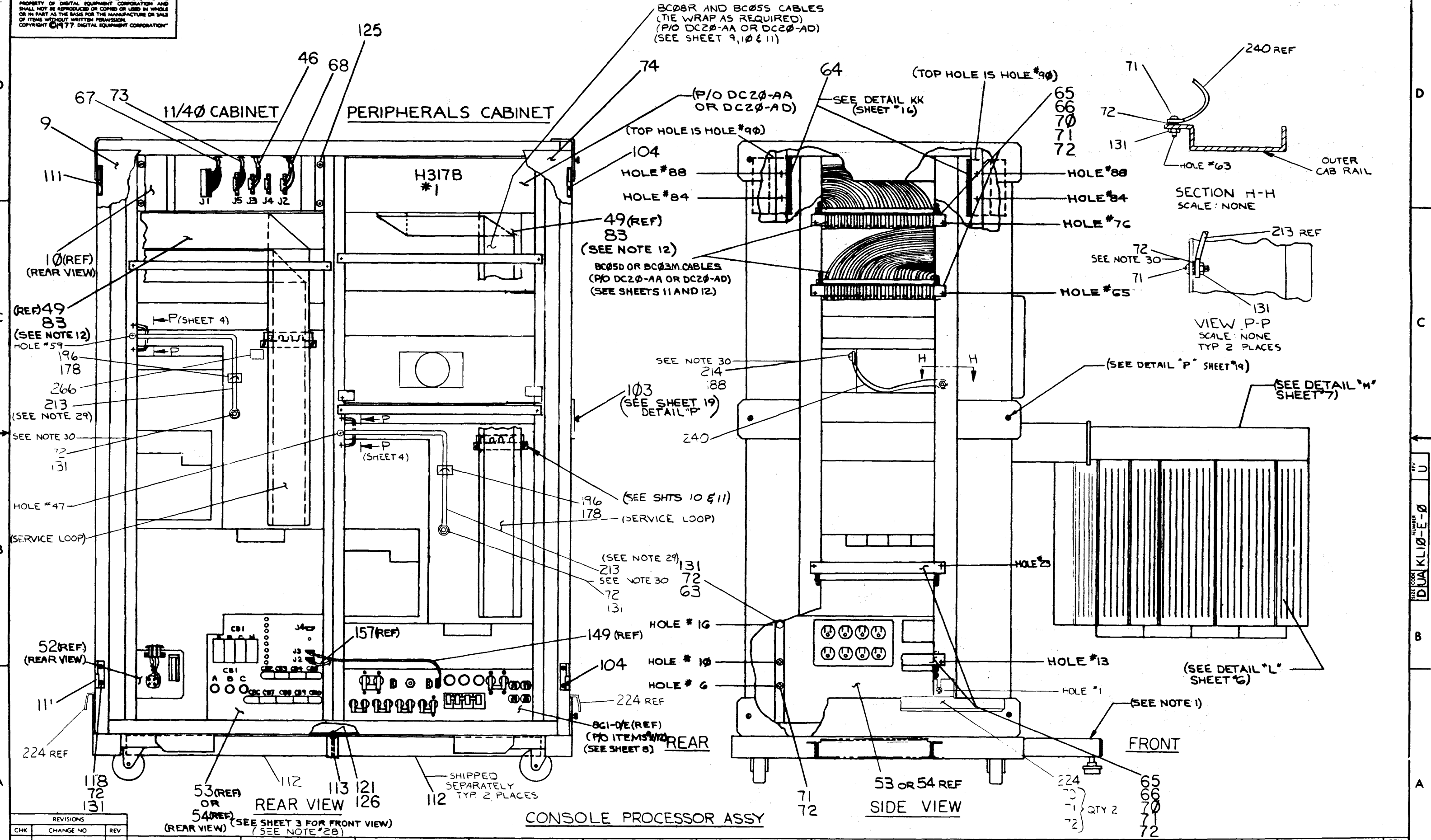
REVISIONS		
CHG	CHANGE NO	REV

THIS DRAWING AND SPECIFICATIONS HEREIN ARE THE PROPERTY OF DIGITAL EQUIPMENT CORPORATION AND SHALL NOT BE REPRODUCED OR COPIED OR USED IN WHOLE OR IN PART AS THE BASIS FOR THE MANUFACTURE OR SALE OF ITEMS WITHOUT WRITTEN PERMISSION. COPYRIGHT © 1977 DIGITAL EQUIPMENT CORPORATION



REVISIONS		
CHK	CHANGE NO.	REV

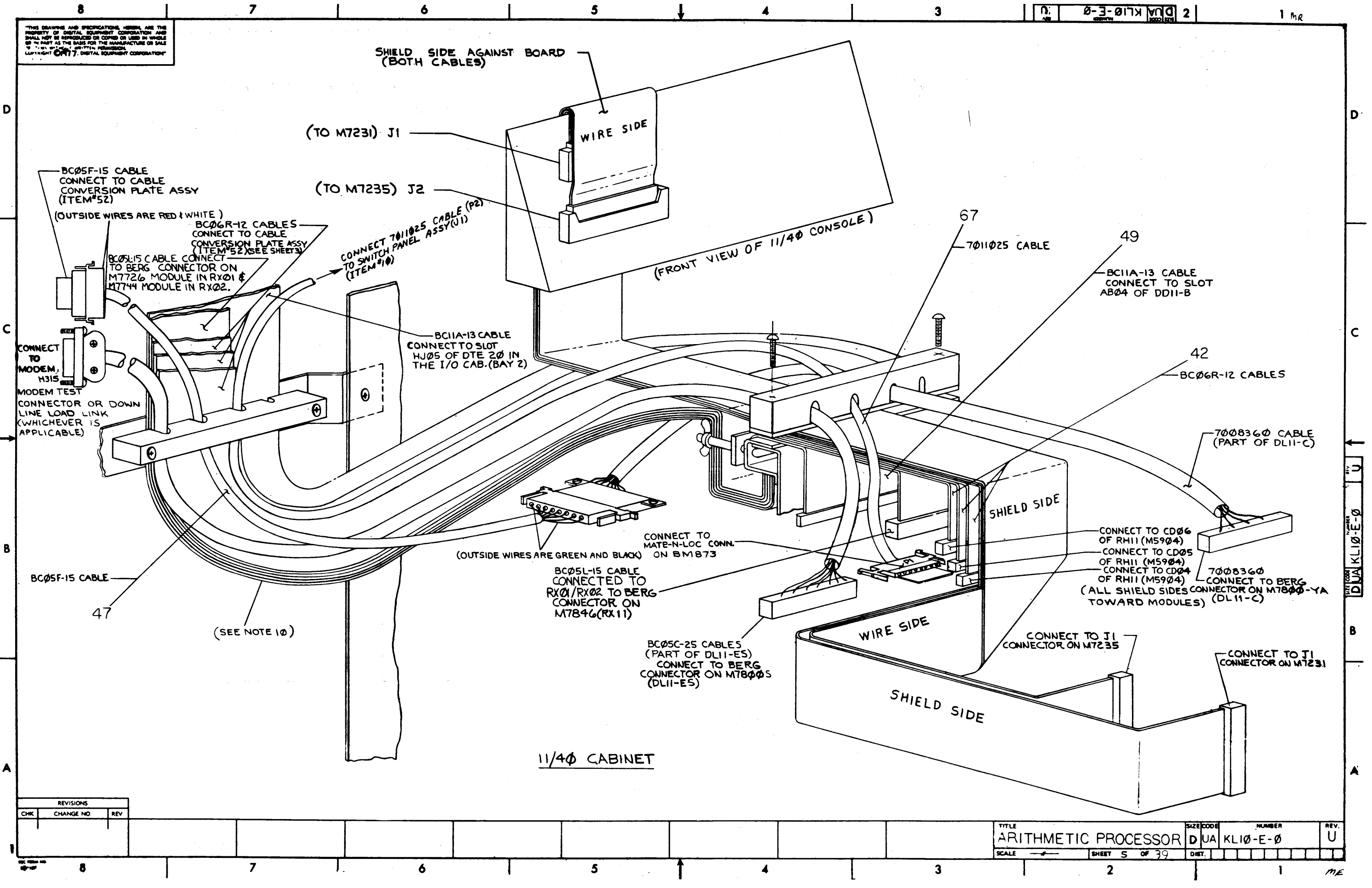
THIS DRAWING AND SPECIFICATIONS HEREIN ARE THE PROPERTY OF DIGITAL EQUIPMENT CORPORATION AND SHALL NOT BE REPRODUCED OR COPIED OR USED IN WHOLE OR IN PART AS THE BASIS FOR THE MANUFACTURE OR SALE OF ITEMS WITHOUT WRITTEN PERMISSION. COPYRIGHT © 1977 DIGITAL EQUIPMENT CORPORATION



CHK	CHANGE NO	REV

REVISIONS		TITLE		SIZE CODE	NUMBER	REV.
		ARITHMETIC PROCESSOR		D UA	KL10-E-0	U
SCALE		SHEET 4 OF 39		DIST		

THIS DRAWING AND SPECIFICATIONS HEREIN ARE THE PROPERTY OF DIGITAL EQUIPMENT CORPORATION AND SHALL NOT BE REPRODUCED OR COPIED OR USED IN WHOLE OR IN PART AS THE BASIS FOR THE MANUFACTURE OR SALE OF ANY EQUIPMENT WITHOUT WRITTEN PERMISSION. COPYRIGHT © 1977, DIGITAL EQUIPMENT CORPORATION

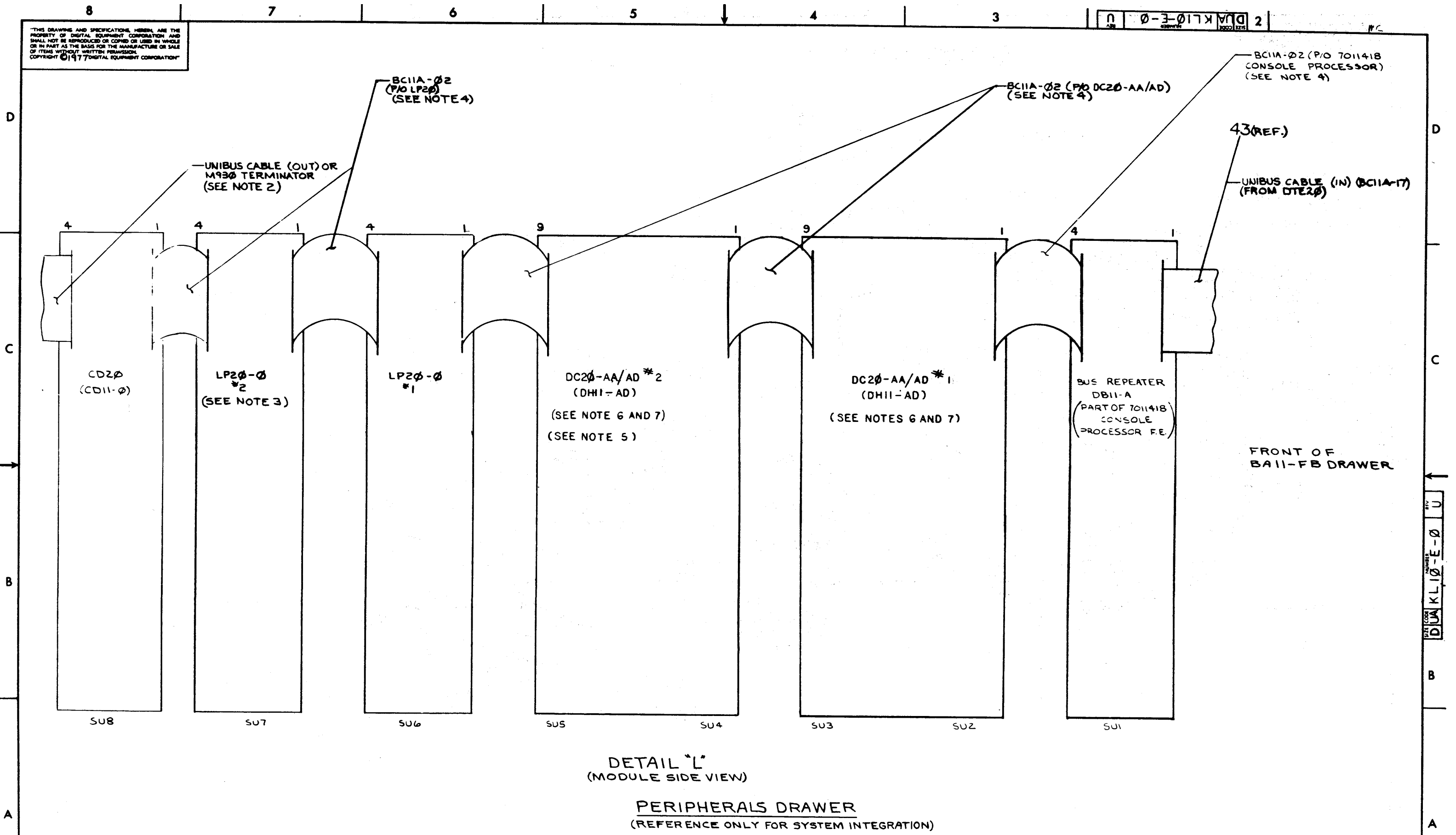


REVISIONS		
CHK	CHANGE NO.	REV

TITLE	ARITHMETIC PROCESSOR	SIZE CODE	DUA	NUMBER	KL10-E-0	REV.	U
SCALE	1" = 1"	SHEET	5	OF	39	DIST.	

THIS DRAWING AND SPECIFICATIONS HEREIN ARE THE PROPERTY OF DIGITAL EQUIPMENT CORPORATION AND SHALL NOT BE REPRODUCED OR COPIED OR USED IN WHOLE OR IN PART AS THE BASIS FOR THE MANUFACTURE OR SALE OF ITEMS WITHOUT WRITTEN PERMISSION. COPYRIGHT © 1977 DIGITAL EQUIPMENT CORPORATION

DUA KL10-E-0 2



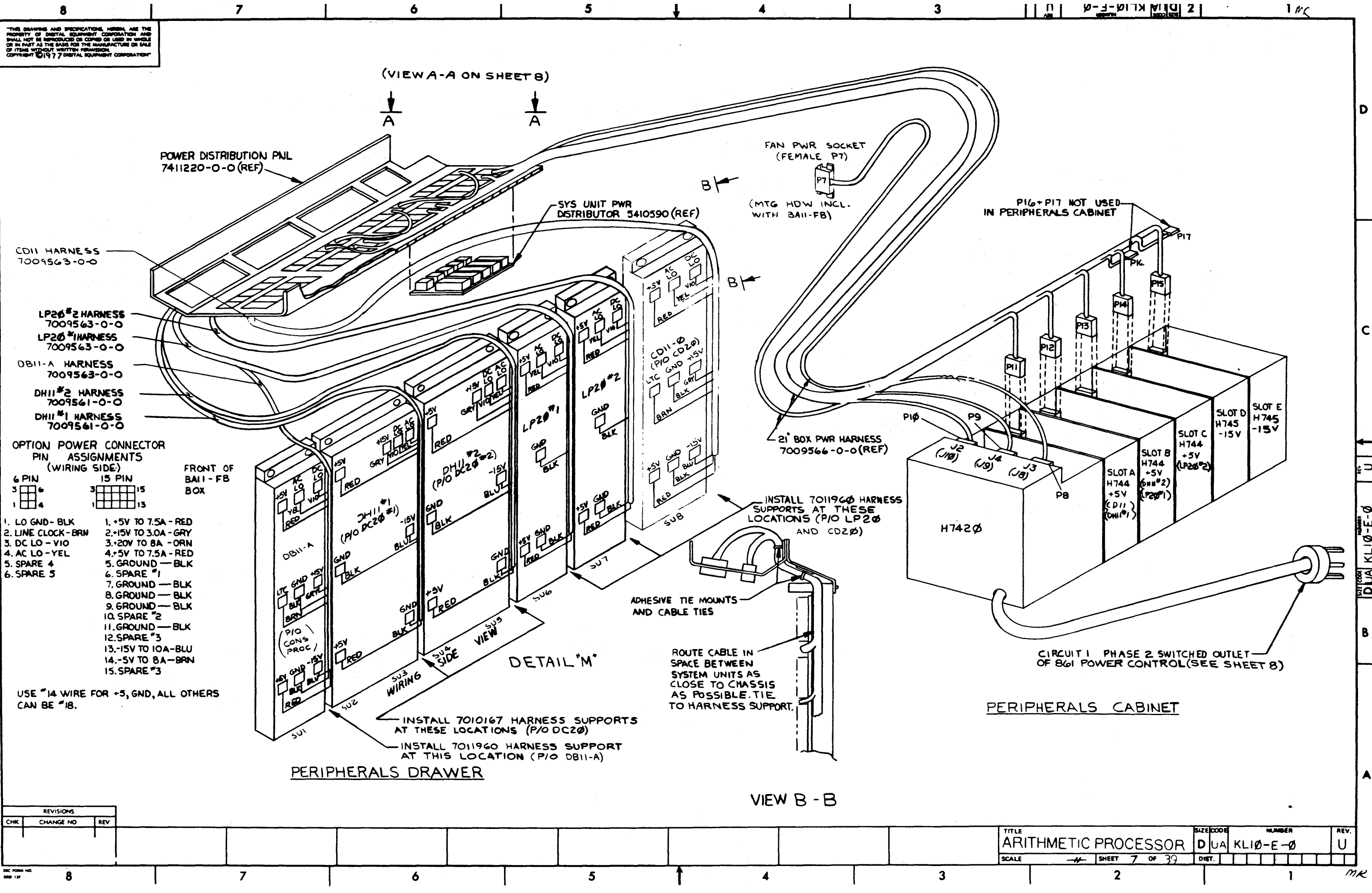
DETAIL "L"
(MODULE SIDE VIEW)
PERIPHERALS DRAWER
(REFERENCE ONLY FOR SYSTEM INTEGRATION)

REVISIONS		
CHK	CHANGE NO	REV

8	7	6	5	4	3	2	1	
TITLE ARITHMETIC PROCESSOR						SIZE CODE DUA	NUMBER KL10-E-0	REV U
SCALE						SHEET 6 OF 39	DIST.	

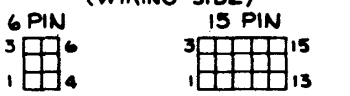
DEC FORM NO 080 117

THIS DRAWING AND SPECIFICATIONS HEREIN ARE THE PROPERTY OF DIGITAL EQUIPMENT CORPORATION AND SHALL NOT BE REPRODUCED OR COPIED OR USED IN WHOLE OR IN PART AS THE BASIS FOR THE MANUFACTURE OR SALE OF ITEMS WITHOUT WRITTEN PERMISSION. COPYRIGHT © 1977 DIGITAL EQUIPMENT CORPORATION



- POWER DISTRIBUTION PNL 7411220-0-0 (REF)
- CD11 HARNESS 7009563-0-0
- LP20 #2 HARNESS 7009563-0-0
- LP20 #1 HARNESS 7009563-0-0
- DB11-A HARNESS 7009563-0-0
- DH11 #2 HARNESS 7009561-0-0
- DH11 #1 HARNESS 7009561-0-0

OPTION POWER CONNECTOR PIN ASSIGNMENTS (WIRING SIDE)



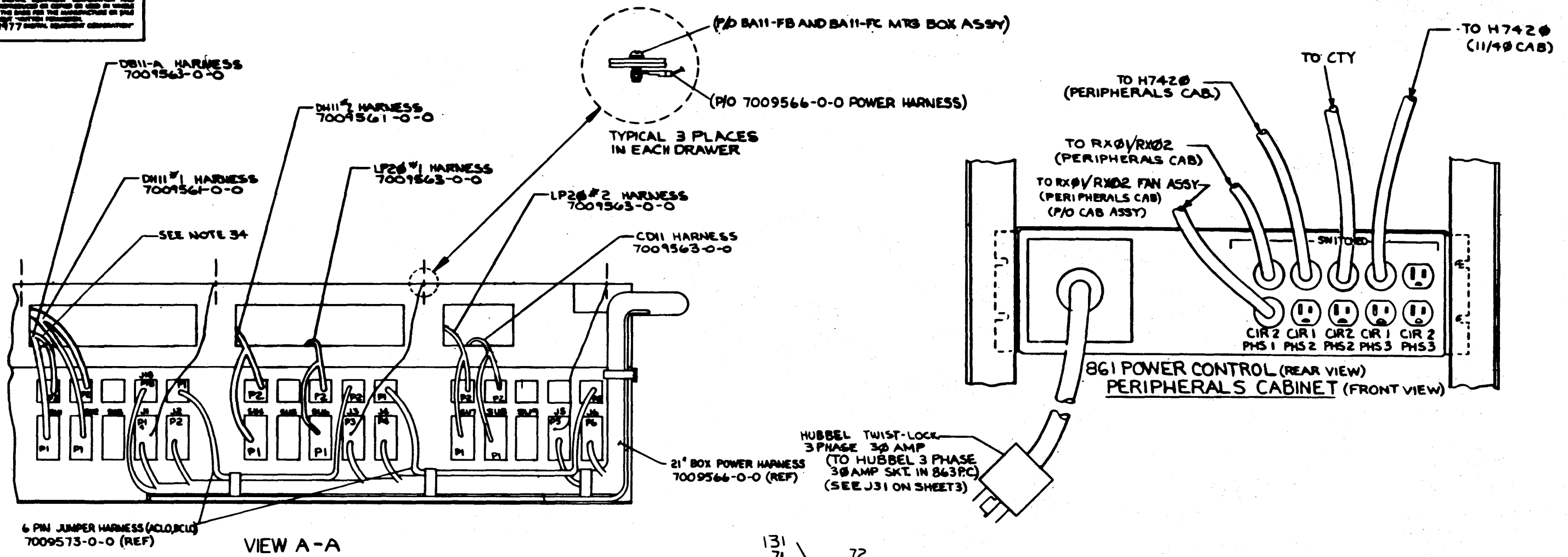
- | | |
|---------------------|-----------------------|
| 1. LO GND - BLK | 1. +5V TO 7.5A - RED |
| 2. LINE CLOCK - BRN | 2. +15V TO 3.0A - GRN |
| 3. DC LO - VIO | 3. +20V TO 8A - ORN |
| 4. AC LO - YEL | 4. +5V TO 7.5A - RED |
| 5. SPARE 4 | 5. GROUND - BLK |
| 6. SPARE 5 | 6. SPARE #1 |
| | 7. GROUND - BLK |
| | 8. GROUND - BLK |
| | 9. GROUND - BLK |
| | 10. SPARE #2 |
| | 11. GROUND - BLK |
| | 12. SPARE #3 |
| | 13. -15V TO 10A - BLU |
| | 14. -5V TO 8A - BRN |
| | 15. SPARE #3 |

USE #14 WIRE FOR +5, GND, ALL OTHERS CAN BE #18.

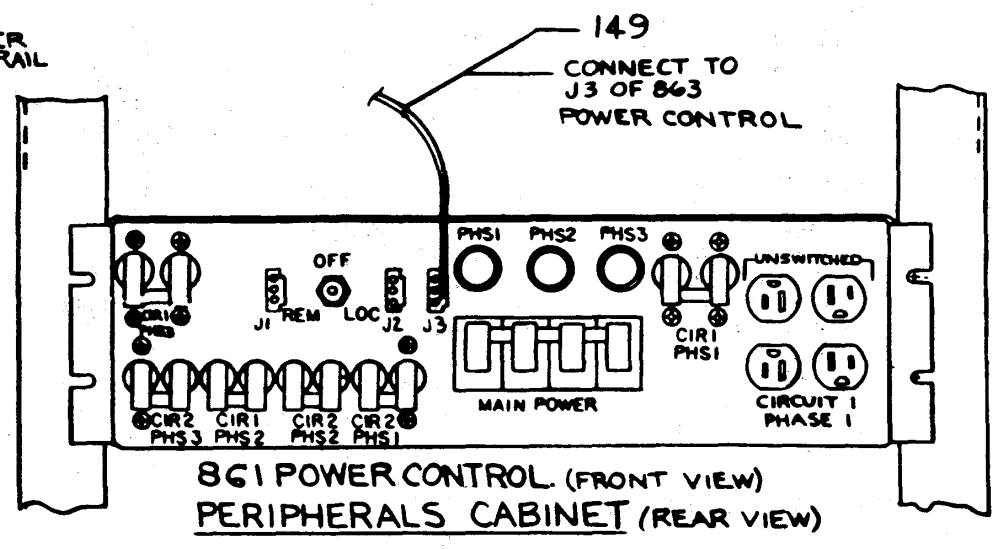
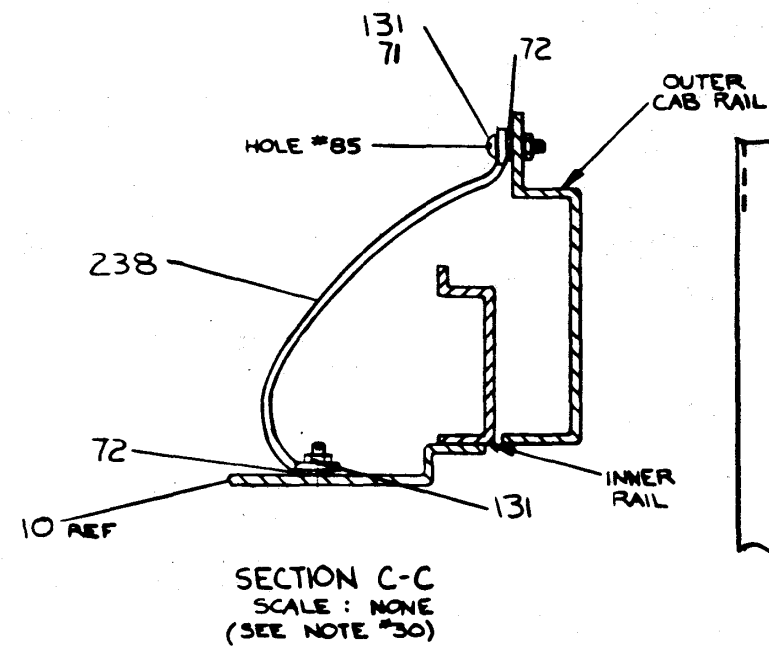
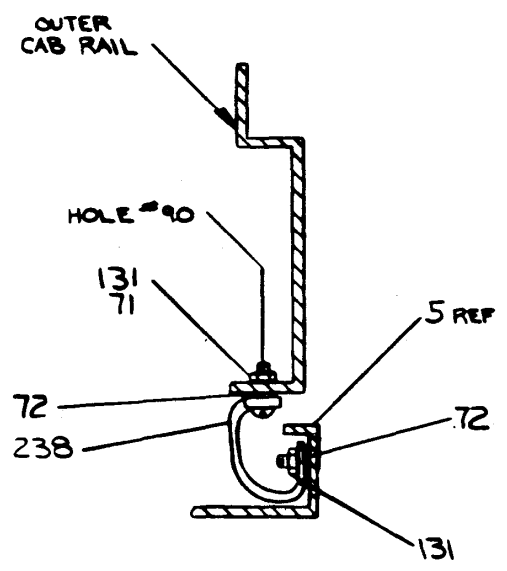
REVISIONS		
CHK	CHANGE NO	REV

TITLE	ARITHMETIC PROCESSOR	SIZE CODE	D	UA	KL10-E-0	NUMBER	7	REV.	U
SCALE	1/4"	SHEET	7	OF	39	DIST.			

THIS DRAWING AND SPECIFICATIONS HEREAFTER ARE THE PROPERTY OF GENERAL ELECTRIC COMPANY AND SHALL NOT BE REPRODUCED OR COPIED IN WHOLE OR IN PART AS THE BASIS FOR THE RECONSTRUCTION OR SALE OF ITEMS THEREOF WITHOUT WRITTEN PERMISSION. COPYRIGHT © 1977 DIGITAL EQUIPMENT CORPORATION

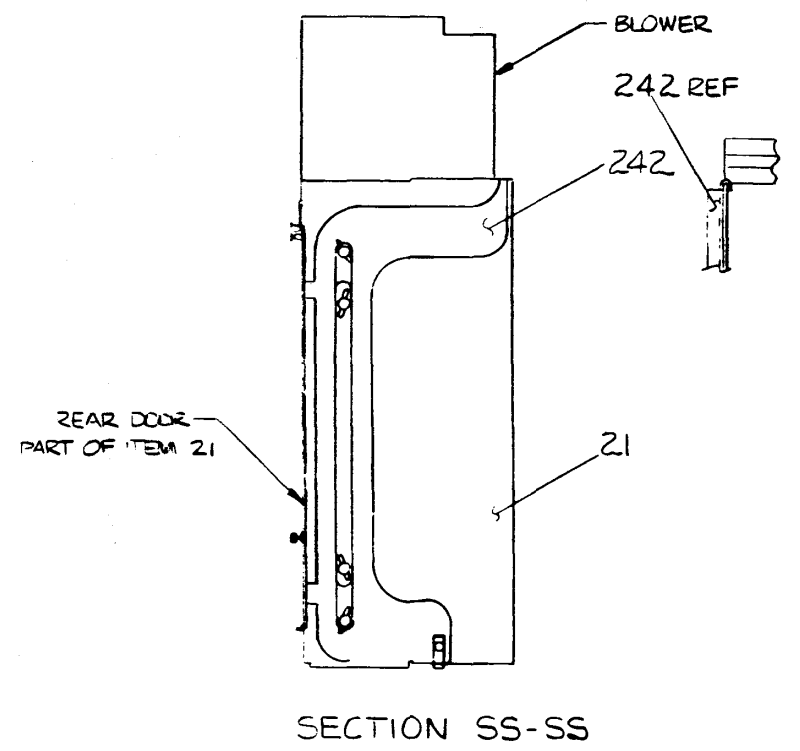
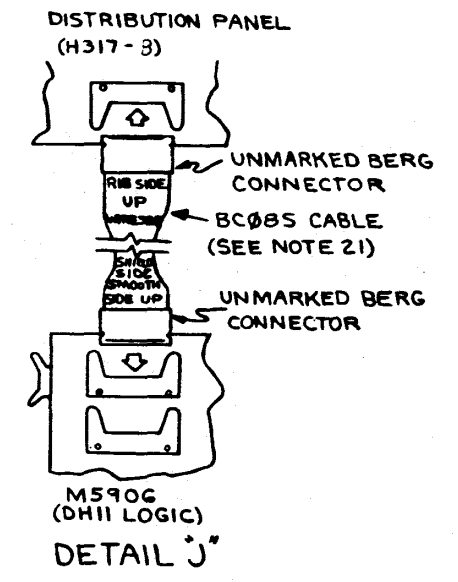
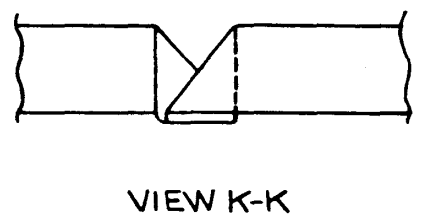
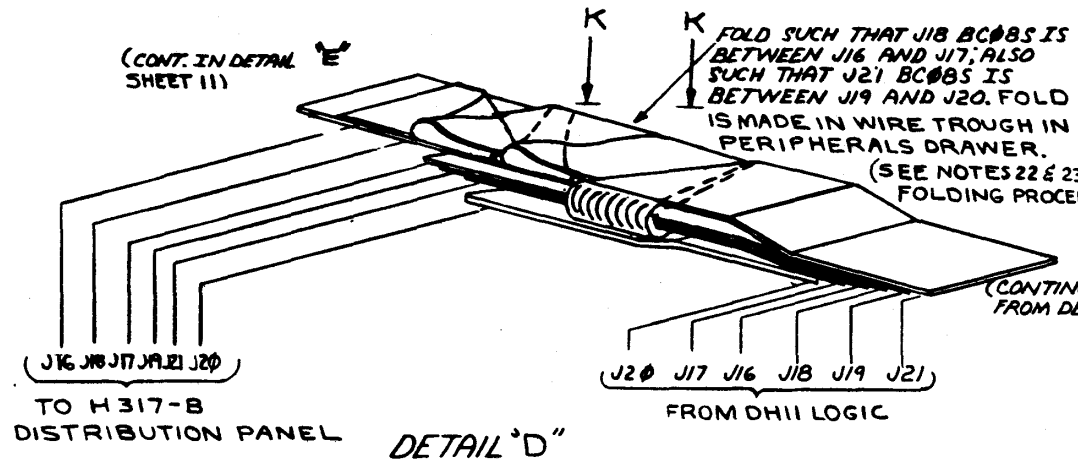
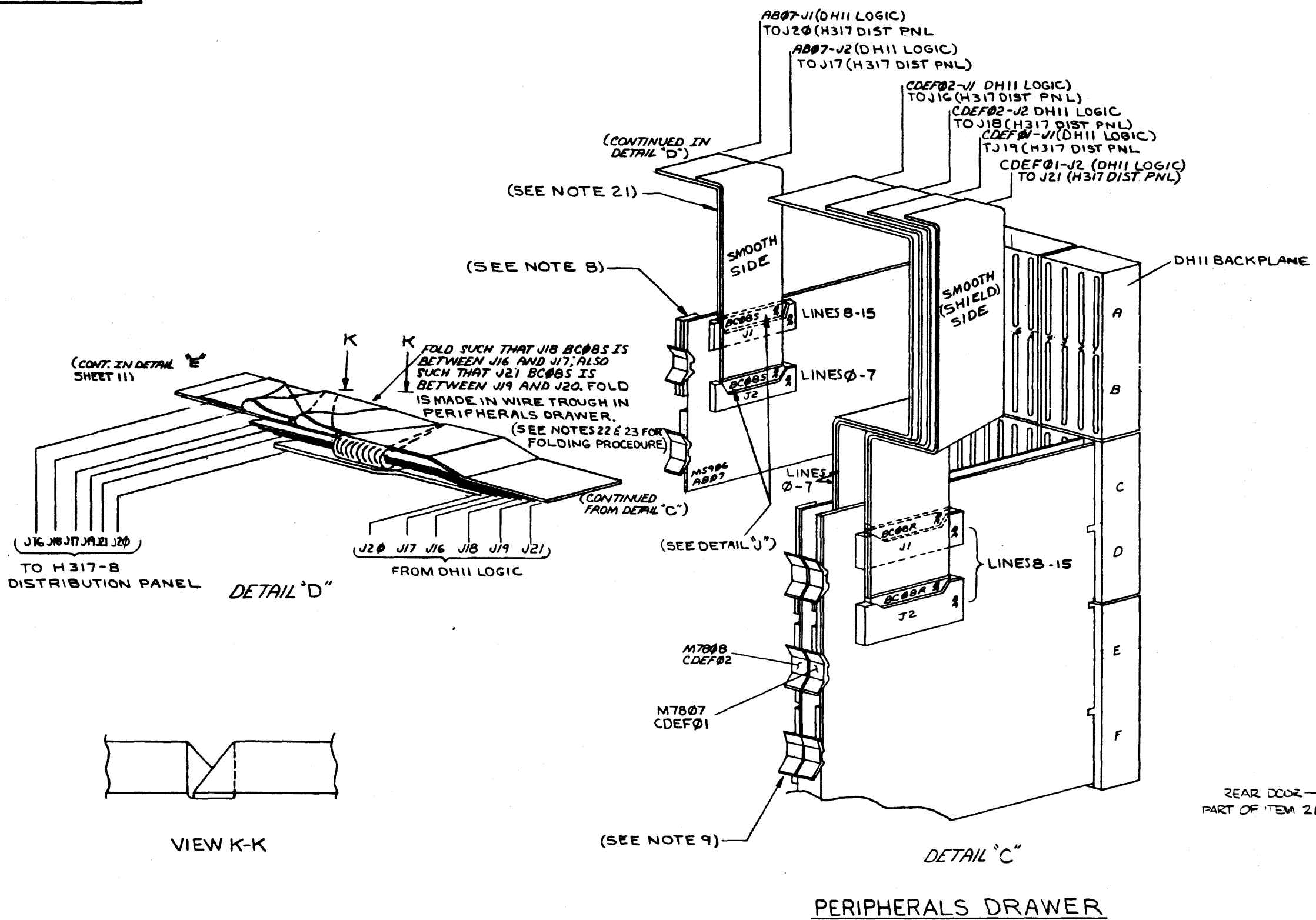


PERIPHERALS DRAWER



REVISIONS		
CHK	CHANGE NO.	REV

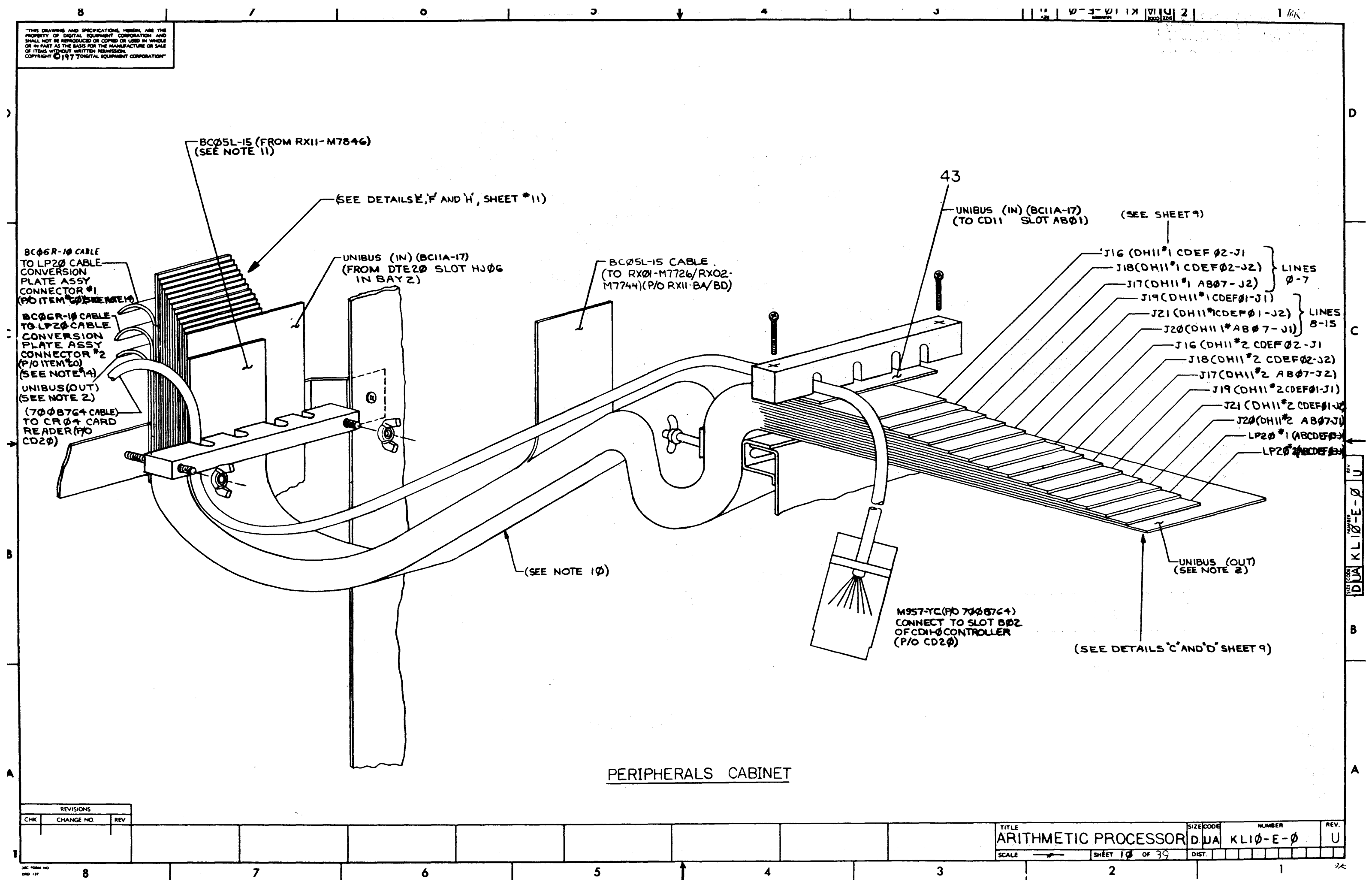
THIS DRAWING AND SPECIFICATIONS HEREIN ARE THE PROPERTY OF DIGITAL EQUIPMENT CORPORATION AND SHALL NOT BE REPRODUCED OR COPIED OR USED IN WHOLE OR IN PART AS THE BASIS FOR THE MANUFACTURE OR SALE OF ITEMS WITHOUT WRITTEN PERMISSION.
 COPYRIGHT © 1977 DIGITAL EQUIPMENT CORPORATION



REV.	CHANGE NO.

TITLE	SIZE/SCALE	NUMBER	REV.
ARITHMETIC PROCESSOR	DUA KL10-E-0	9 OF 39	U
SCALE	SHEET	DIST.	

THIS DRAWING AND SPECIFICATIONS HEREIN ARE THE PROPERTY OF DIGITAL EQUIPMENT CORPORATION AND SHALL NOT BE REPRODUCED OR COPIED OR USED IN WHOLE OR IN PART AS THE BASIS FOR THE MANUFACTURE OR SALE OF ITEMS WITHOUT WRITTEN PERMISSION. COPYRIGHT © 1977 DIGITAL EQUIPMENT CORPORATION



BC05L-15 (FROM RX11-M7846)
(SEE NOTE 1)

(SEE DETAILS E, F AND H, SHEET *11)

BC06R-10 CABLE
TO LP20 CABLE
CONVERSION
PLATE ASSY
CONNECTOR #1
(P/O ITEM 20) (SEE NOTE 1)

BC06R-10 CABLE
TO LP20 CABLE
CONVERSION
PLATE ASSY
CONNECTOR #2
(P/O ITEM 20)
(SEE NOTE 14)

UNIBUS (OUT)
(SEE NOTE 2)
(7008764 CABLE)
TO CR04 CARD
READER (P/O
CD20)

UNIBUS (IN) (BC11A-17)
(FROM DTE20 SLOT HJ06
IN BAY 2)

BC05L-15 CABLE
(TO RX01-M7726/RX02-
M7744) (P/O RX11-BA/BD)

43
UNIBUS (IN) (BC11A-17)
(TO CD11 SLOT AB01)
(SEE SHEET 9)

- J16 (DH11 #1 CDEF02-J1) } LINES
- J18 (DH11 #1 CDEF02-J2) } 0-7
- J17 (DH11 #1 AB07-J2)
- J19 (DH11 #1 CDEF01-J1)
- J21 (DH11 #1 CDEF01-J2) } LINES
- J20 (DH11 #1 AB07-J1) } 8-15
- J16 (DH11 #2 CDEF02-J1)
- J18 (DH11 #2 CDEF02-J2)
- J17 (DH11 #2 AB07-J2)
- J19 (DH11 #2 CDEF01-J1)
- J21 (DH11 #2 CDEF01-J2)
- J20 (DH11 #2 AB07-J1)
- LP20 #1 (ABCDEF03)
- LP20 #2 (ABCDEF03)

(SEE NOTE 10)

M957-YC (P/O 7008764)
CONNECT TO SLOT B02
OF CD11 CONTROLLER
(P/O CD20)

UNIBUS (OUT)
(SEE NOTE 2)

(SEE DETAILS C AND D SHEET 9)

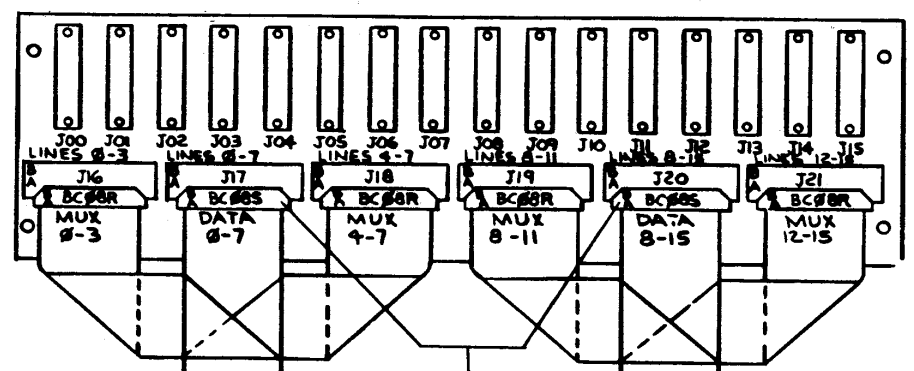
PERIPHERALS CABINET

REVISIONS		
CHK	CHANGE NO	REV

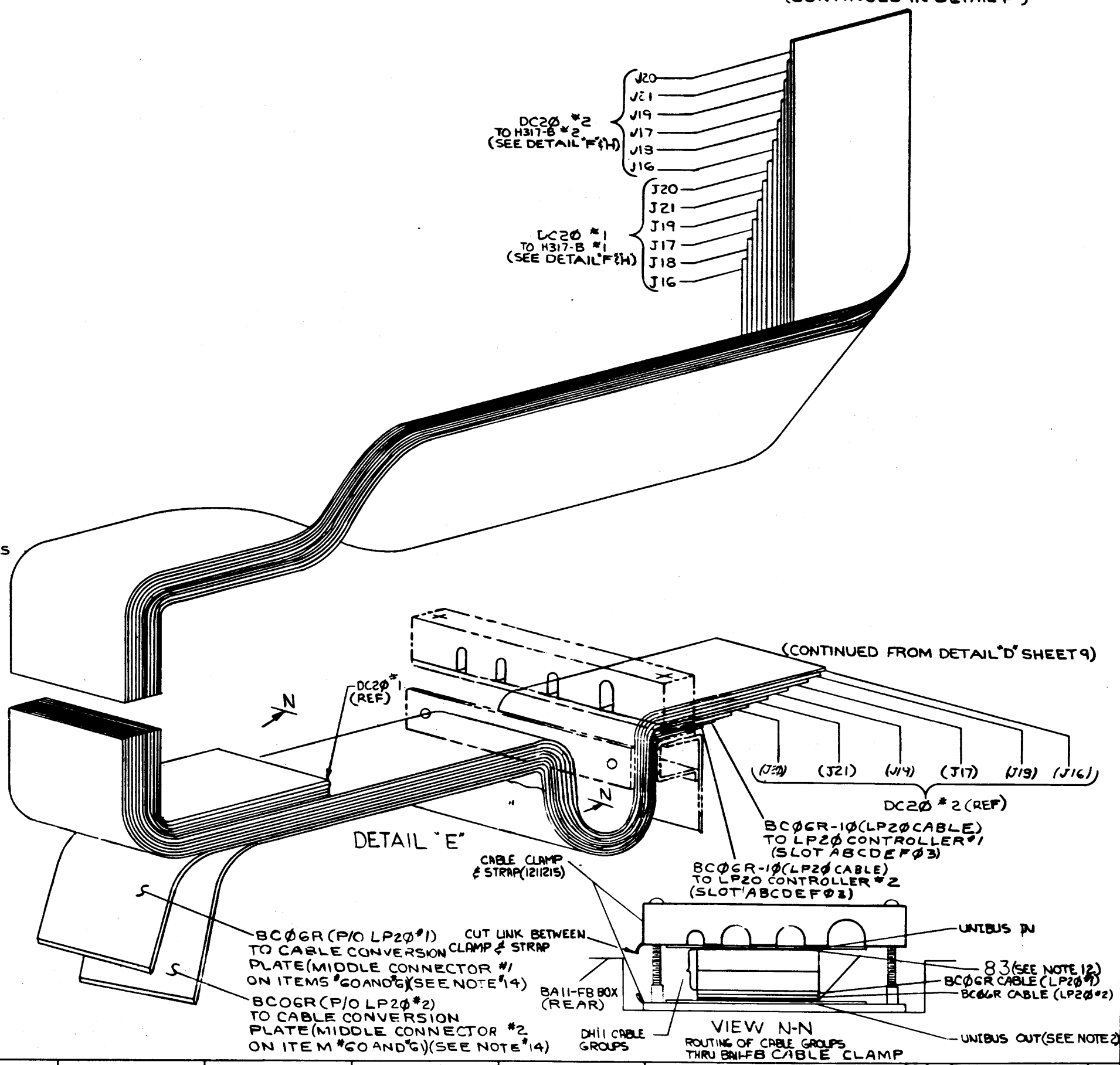
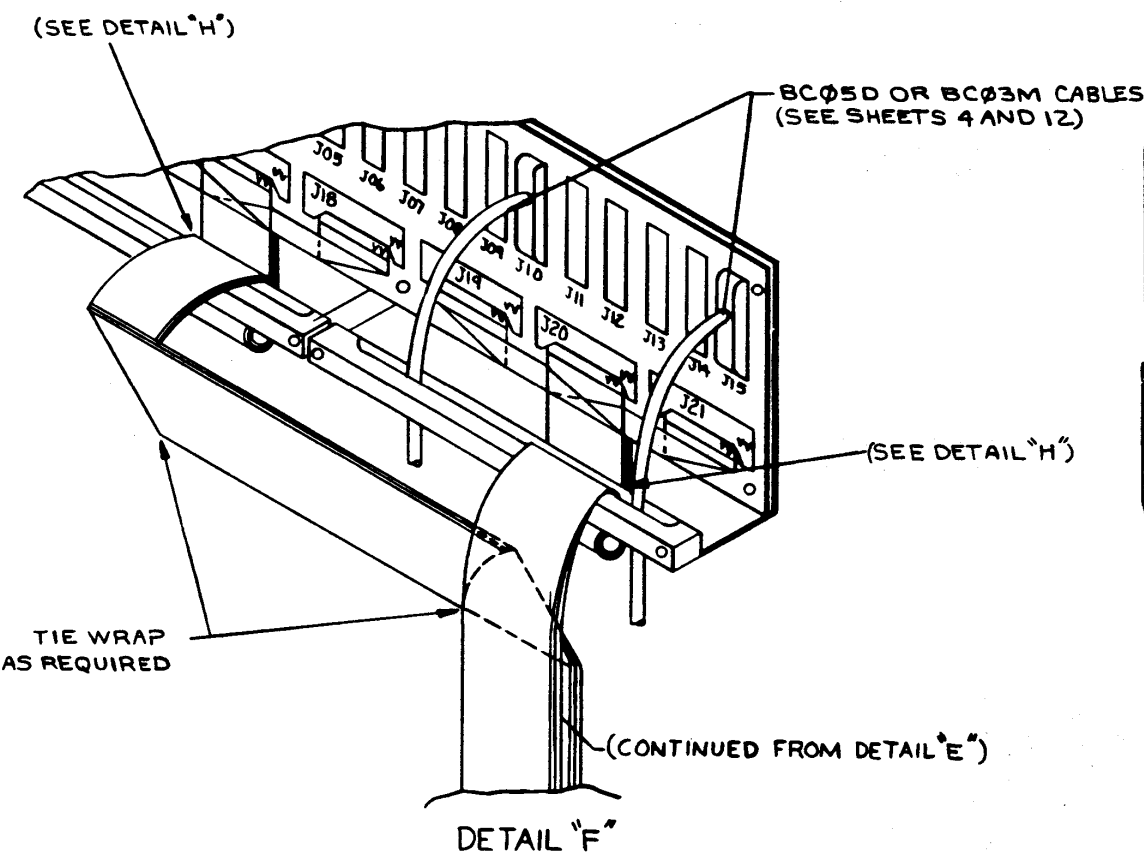
TITLE	SIZE CODE	NUMBER	REV.
ARITHMETIC PROCESSOR	DUA	KLI0-E-0	U
SCALE	SHEET 10 OF 39	DIST.	

THIS DRAWING AND SPECIFICATIONS HEREIN ARE THE PROPERTY OF DIGITAL EQUIPMENT CORPORATION AND SHALL NOT BE REPRODUCED OR COPIED OR USED IN WHOLE OR IN PART AS THE BASIS FOR THE MANUFACTURE OR SALE OF ITEMS WITHOUT WRITTEN PERMISSION. COPYRIGHT © 1977 DIGITAL EQUIPMENT CORPORATION

D
C
B
A



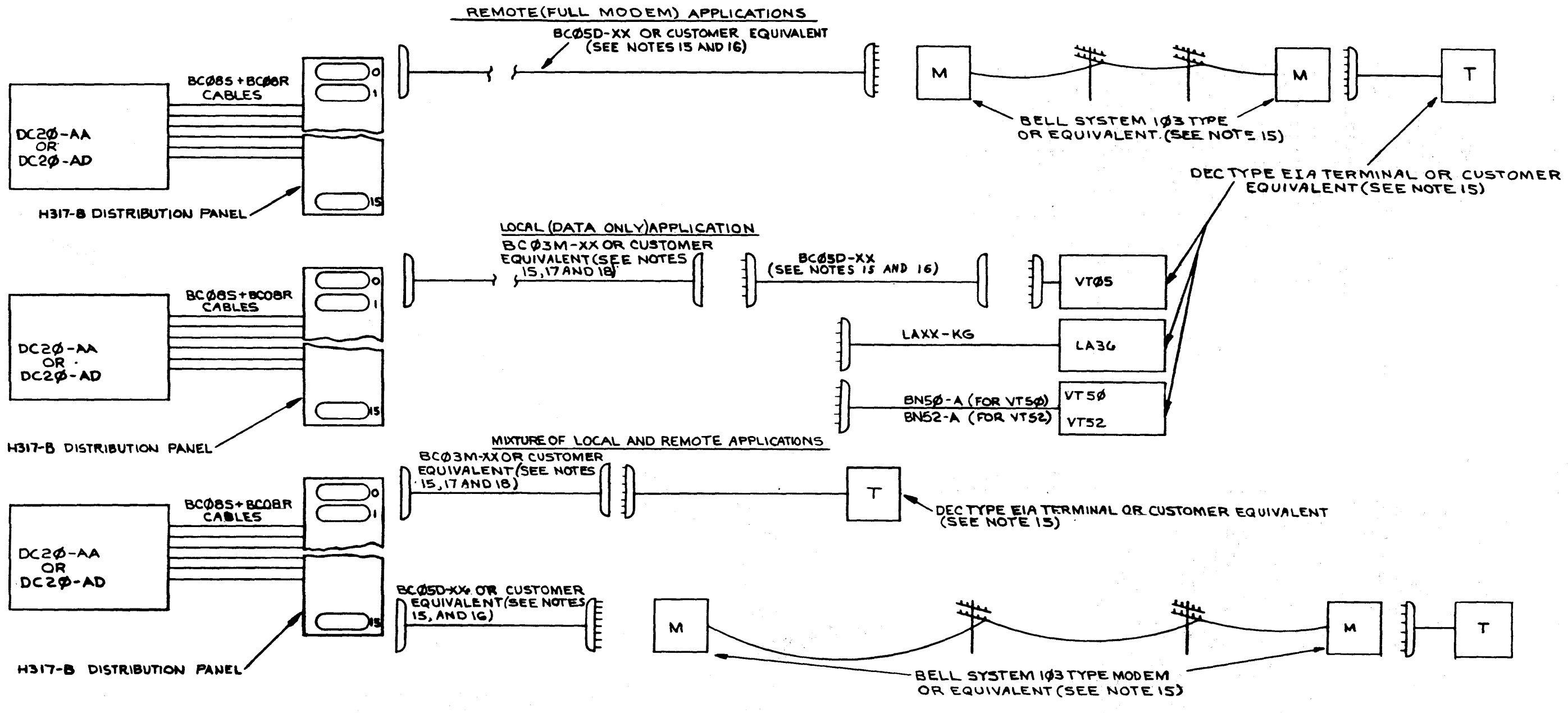
CONTINUED FROM DETAIL "F" (SEE DETAIL "J" SHEET 9)
 CONTINUED FROM DETAIL "F"
 DETAIL "H"
 (SEE NOTES 13 AND 21)
 (SEE NOTES 13 AND 21)



D
C
B
A

REVISIONS		
CHK	CHANGE NO	REV

THIS DRAWING AND SPECIFICATIONS HEREIN ARE THE PROPERTY OF DIGITAL EQUIPMENT CORPORATION AND SHALL NOT BE REPRODUCED OR COPIED OR USED IN WHOLE OR IN PART AS THE BASIS FOR THE MANUFACTURE OR SALE OF ANYTHING WITHOUT WRITTEN PERMISSION.
 © 1977 DIGITAL EQUIPMENT CORPORATION

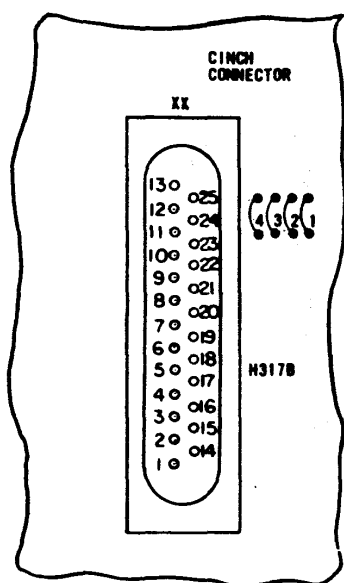
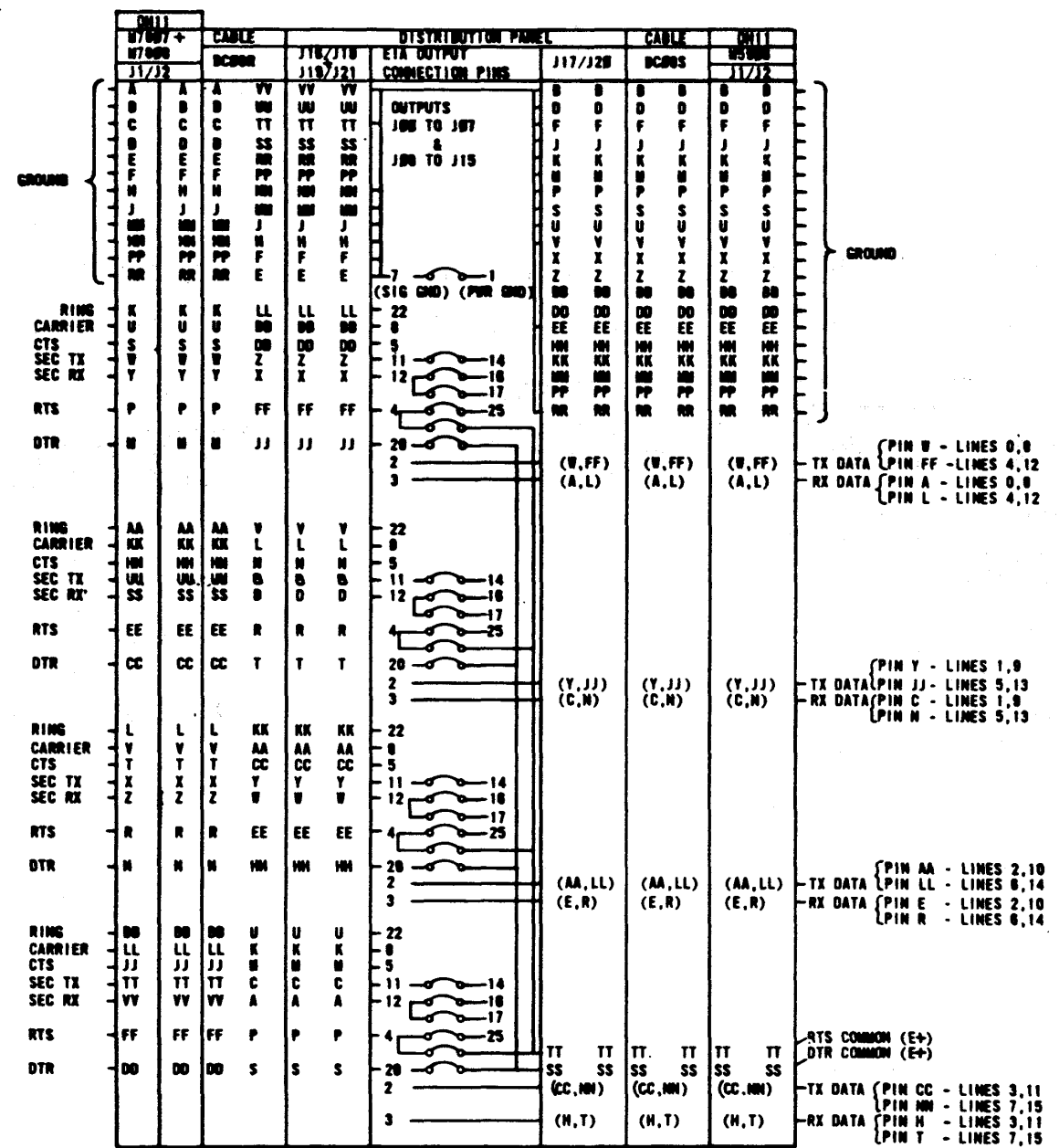


TYPICAL SYSTEM COMMUNICATIONS CABLING
 (REFERENCE ONLY FOR INTEGRATION OF MODEMS AND TERMINALS)

REVISIONS		
CHK	CHANGE NO.	REV

TITLE	SIZE CODE	NUMBER	REV.
ARITHMETIC PROCESSOR	DUA	KLI0-E-0	U
SCALE	SHEET	OF	DIST.
1/4"	12	39	

THIS DRAWING AND SPECIFICATIONS HEREIN ARE THE PROPERTY OF DIGITAL EQUIPMENT CORPORATION AND SHALL NOT BE REPRODUCED OR COPIED OR USED IN WHOLE OR IN PART AS THE BASIS FOR THE MANUFACTURE OR SALE OF ITEMS WITHOUT WRITTEN PERMISSION. COPYRIGHT © 1977 DIGITAL EQUIPMENT CORPORATION



MODEM TYPE	DESCRIPTION	JUMPERS			
		1	2	3	4
103A	300 BAUD FULL DUP
103E,G,H	300 BAUD FULL DUP	IN	.	.	.
103F	300 BAUD FULL DUP
113A	300 BAUD ORIGINATE ONLY
202C,D	1800 BAUD 1/2 DUP
011B	LOW SPEED TWX	.	.	.	IN
EIA	RS232-C (SEE BELOW)	OUT	IN	IN	OUT

DON'T CARE CASES:

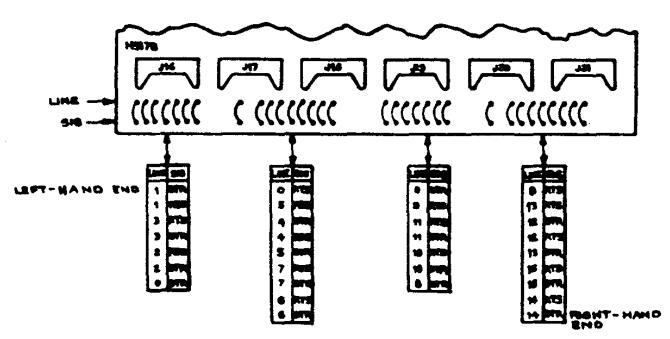
- JUMPERS PIN 25 TO 4
- JUMPERS PIN 11 TO 14
- JUMPERS PIN 12 TO 18
- JUMPERS PIN 12 TO 17

PIN NO.	SIGNAL	MODEM
4	REQ TO SEND	-
11	SEC TRANS DATA	BELL
12	SEC REC'D DATA	202
14	SEC TRANS DATA	EIA
18	SEC REC'D DATA	EIA
17	RESTRAINT	011B
25	BUSY	103E,G,H

CINCH-CONNECTOR STRAPPING ON H317B DISTRIBUTION PANEL

- IN SPECIAL CASES, ANY GIVEN SIGNAL FROM THE MODEM SHOULD BE PUT ON WHATEVER PIN REPRESENTS THAT SIGNAL ON THE H317-B DIST. PANEL WITH JUMPERS 1, 2, 3, OR 4. CHECK MODEM SCHEMATIC AND COMPARE IT WITH THIS FIGURE.
- BUS INITIALIZATION OF THE MODEM CONTROL MODULES (M7007 AND M7000) CAN BE INHIBITED BY REMOVING DH11 BACKPANEL WIRE #282 TO GROUND.
- INTERRUPTS FOR ALL LINES MAY BE INHIBITED FOR CARRIER, RING, SEC RX, OR CLEAR TO SEND BY REMOVING THE WIRES LISTED BELOW:

DTR AND RTS STRAPPING ON H317-B DISTRIBUTION PANEL



STATUS	DH11 WIRE REMOVED
CARRIER	EW2A1 TO DW2B1
RING	EW2C1 TO DW2F2
SEC RX	EW2B1 TO DW2A1
CLEAR TO SEND	EW2D1 TO DW2C1

(SEE NOTE 20)

REVISIONS		
CHK	CHANGE NO.	REV

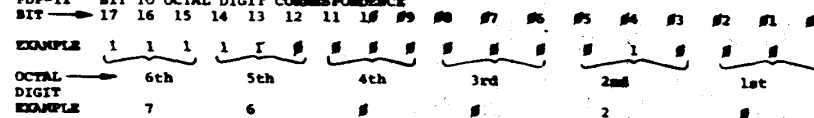
THIS DRAWING AND SPECIFICATIONS HEREIN ARE THE PROPERTY OF DIGITAL EQUIPMENT CORPORATION AND SHALL NOT BE REPRODUCED OR COPIED OR USED IN WHOLE OR IN PART AS THE BASIS FOR THE MANUFACTURE OR SALE OF ITEMS WITHOUT WRITTEN PERMISSION. COPYRIGHT © 1977 DIGITAL EQUIPMENT CORPORATION

OCTAL TO JUMPER CONVERSIONS

M7821		VECTORS				IN=1	OUT=0
	18	7	6	5	4	3	12
300	OUT	IN	IN	OUT	OUT	OUT	OUT
308	OUT	IN	IN	OUT	OUT	OUT	IN
316	OUT	IN	IN	OUT	OUT	IN	OUT
324	OUT	IN	IN	OUT	OUT	IN	IN
332	OUT	IN	IN	OUT	OUT	IN	OUT
340	OUT	IN	IN	OUT	OUT	IN	OUT
348	OUT	IN	IN	OUT	OUT	IN	OUT
356	OUT	IN	IN	OUT	OUT	IN	OUT
364	OUT	IN	IN	OUT	OUT	IN	OUT
372	OUT	IN	IN	OUT	OUT	IN	OUT
400	IN	OUT	OUT	OUT	OUT	OUT	OUT
408	IN	OUT	OUT	OUT	OUT	OUT	OUT
416	IN	OUT	OUT	OUT	OUT	OUT	OUT
424	IN	OUT	OUT	OUT	OUT	OUT	OUT
432	IN	OUT	OUT	OUT	OUT	OUT	OUT

* ALWAYS IN FOR M7821 IN LOCATION A86

PDP-11 BIT TO OCTAL DIGIT CORRESPONDENCE



NOTE: I/O DEVICE ADDRESS IN '11 LITERATURE ARE VARIOUSLY GIVEN AS 760 000 THRU 777 777 AND AS 160 000 THRU 177 777. THESE ARE EQUIVALENT IN MACHINES WITHOUT MEMORY MANAGEMENT. WHENEVER BITS 15, 14 AND 13 ARE ALL "1" (16x xxx OR 17x xxx) THE PROCESSOR ALSO MAKES BITS 17 AND 16 "1" (76x xxx OR 77x xxx). [ON MACHINES WITH MEMORY MANAGEMENT (NOT STD ON 20 SERIES) I/O DEVICE ADDRESSES ARE IN PHYSICAL MEMORY AT 760 000 THRU 777 777. THEY ARE ONLY AVAILABLE TO A PROGRAM IF SOME VIRTUAL ADDRESS AREA IS MAPPED INTO THIS PHYSICAL AREA.]

DH11-AD JUMPERS AND MODIFICATIONS.

M5906 LOCATION AB07 (DH11-AD) OPTIONS

BR LEVEL SELECT
BOTH BR PLUGS SHOULD BE
5408778 (LEVEL #5)
(AS SUPPLIED STANDARD)

M7821 LOCATION A86

VECTOR LOCATION
W2 BIT 2 IN (ALWAYS)
W3 BIT 3 IN (ALWAYS)
W4 BIT 4 IN FOR "1"
W5 BIT 5 OUT FOR "0"
W6 BIT 6 SEE TABLE OF
OCTAL TO JUMPER
CONVERSIONS
W7 BIT 7
W8 BIT 8
W9 NFR SPEED UP IN (ALWAYS)

M7821 LOCATION A82

NFR CONTROL
ALL JUMPERS ARE "DON'T CARE"
ON THIS MODULE

DH11-AD MODEM CONTROL ADDRESS AND VECTORS

M78C7 LOCATION C,D,E,F0
VECTOR LOCATION
W2 BIT 2 } IN FOR "1"
W3 BIT 3 } OUT FOR "0"
W7 BIT 4 } SEE TABLE
W6 BIT 5 } OF OCTAL TO
W4 BIT 6 } JUMPER CONVERSIONS
W5 BIT 7 }
W1 BIT 8 }
ADDRESS LOCATION
W15 BIT 3 } IN FOR "0"
W12 BIT 4 } OUT FOR "1"
W13 BIT 5 } SEE TABLE OF
W17 BIT 7 } M7807 MODEM
W10 BIT 8 } CONTROL ADDRESSES
W9 BIT 9 }
W11 BIT 10 }
W8 BIT 12 }

M7277 LOCATION A80F04

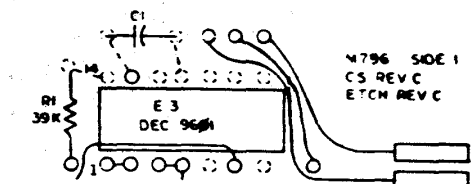
REGISTER ADDRESSES

- "4" BIT 4
- "5" BIT 5
- "6" BIT 6
- "7" BIT 7
- "8" BIT 8
- "9" BIT 9
- "10" BIT 10
- "11" BIT 11
- "12" BIT 12

OUT FOR "1"
IN FOR "0"
SEE TABLE OF DH11-AD ADDRESSES

M796 LOCATION B02

BIAS MASTER CONTROL
DATA STROBE LENGTH 400ns NOMINAL
ADD 1.0µF 5% NICA CAPACITOR DEC P.B. 1800016
ACROSS SPLIT LUGS NEAR FRONT OF BOARD



TAG MODULE WITH TAG WHICH SAYS "MODIFIED MODULE"
1.0µF ADDED FOR 400ns STROBE.

M7277

DH11-AD ADDRESSES OUT=1 IN=0

M7277		BITS 8,9,10,11,12 ARE ALL IN			
	7	6	5	4	
760	IN	IN	IN	OUT	IN
840	IN	IN	IN	OUT	IN
920	IN	IN	OUT	OUT	IN
1000	IN	OUT	IN	IN	IN
1080	IN	OUT	IN	OUT	IN
1160	IN	OUT	OUT	IN	IN
1240	IN	OUT	OUT	OUT	IN
1320	IN	OUT	OUT	OUT	IN
1400	OUT	IN	IN	IN	IN

M7807 MODEM

CONTROL ADDRESS OUT=1 IN=0

BITS 6,8, & 12 ARE ALL OUT

BITS 7,9,10, & 11 ARE ALL IN

M7807 MODEM		BITS 6,8, & 12 ARE ALL OUT			
	7	6	5	4	
510	IN	IN	IN	IN	IN
520	IN	IN	IN	OUT	IN
530	IN	IN	OUT	OUT	IN
540	OUT	IN	IN	OUT	IN
550	OUT	IN	IN	OUT	IN
560	OUT	OUT	IN	IN	IN
570	OUT	OUT	OUT	OUT	OUT

DC20-AA/AD (DH11-AD) ADDRESS VECTOR, JUMPER & MODIFICATION INFORMATION

REV	
CHANGE NO	
LHK	

THIS DRAWING AND SPECIFICATIONS HEREIN ARE THE PROPERTY OF DIGITAL EQUIPMENT CORPORATION AND SHALL NOT BE REPRODUCED OR COPIED OR USED IN WHOLE OR IN PART AS THE BASIS FOR THE MANUFACTURE OR SALE OF ITEMS WITHOUT THE WRITTEN PERMISSION. COPYRIGHT © 1977 DIGITAL EQUIPMENT CORPORATION

DC20 CONFIGURATIONS (ADDRESS & VECTOR TABLES)

ASSUMES EVERY DM11 HAS MODEM CONTROL INSTALLED.

DC20 #	NOTES	REJUMPER			
		1	2	3	4
#1		760 020 330	760 020 330	760 020 330	760 020 330
#2			760 040 350	760 040 350	760 040 350
#3				760 060 370	760 060 370
#4	FORMAT OF ENTRIES: 1st ADDRESS 1st VECTOR				760 100 410
MODEM CONTROL #1		770 500 320	770 500 320	770 500 320	770 500 320
#2			770 510 340	770 510 340	770 510 340
#3				770 520 360	770 520 360
#4					770 530 400

DC20 (DM11) ASYNCHRONOUS COMMUNICATION MULTIPLEXOR

MODULE	DESCRIPTION	LOWEST ACCEPTABLE CS REV	LOCATION
M7247	CONTROL MUX	*	C, D01 C, D02
M105	ADDRESS SELECTOR	C	E01
M7248	MODEM CONTROL SCAN	J	E, F02
M7021	INTERRUPT CONTROL	D	A02, A00, F01
M790	UNIBUS MASTER CONTROL	C	B02
M7270	REGISTERS & BYTE COUNT	D	A, B, C, D, E, F03
M7277	CURRENT ADDRESS & ADDRESS SELECT	F	A, B, C, D, E, F04
M7200	SYSTEM CONTROL & RECEIVER SCAN	A	A, B, C, D, E, F05
M405	EXTERNAL CLOCK	B	B00, E00
M7200	MULTIPLE UARTS	F	C, D, E, F00; C, D, E, F07
M7200	LINE PARAMETER CONTROL	*	A, B, C, D, E, F00
G7300	PRIORITY SELECTOR	A	A07
M071	RIBBON CABLE CONNECTOR	A	B07
M7270	FIFO BUFFER	A	C, D00
M5900	EIA LEVEL CONVERSION	A	A, B07
M4540	DM11 CLOCK	A	F00
M7000	MODEM CONTROL	D	C, D, E, F02
M7007	BUS CONTROL AND MUX (MODEM CONTROL)	D	C, D, E, F01
7009100-0 (DM11 WIRED BACKPLANE)		D	-

AWT LOWEST ACCEPTABLE REV. E
WIRE LIST LOWEST ACCEPTABLE REV. B

CD20 (CD11-B) CARD READER CONTROLLER

MODULE	DESCRIPTION	LOWEST ACCEPTABLE CS REV	LOCATION
M112	NOR GATE	D	D04
M113	TEN 2-INPUT NAND GATE	C	C04
M117	SIX 4-INPUT NAND GATE	E	E03
M203	8-R/S FLIP-FLOP	B	F04
M205	5-ZERO FLIP FLOPS	B	F03
M239	3-4 BIT COUNTER REG.	A	B03
M304	ONE SHOT DELAY	B	E04
M011	HIGH SPEED POWER INV.	B	D03
M721	CLOCK INPUT SYNC	B	A02
M703	UNIBUS TRANSMITTER	*	D02
M704	LINE RECEIVER	C	C02
M790	UNIBUS MASTER CONTROL	D	F02
M057-YC	CABLE CONNECTOR	H	B02
M7219	BUS INTERFACE	H	C, D, E, F01
M7240	MULTIPLE ONES DETECTOR	B	C03
M7021	INTERRUPT CONTROL	D	E02
7000055 (CD11 WIRED ASSEMBLY)		E	-

USE WIRE LIST REV J OF K-WL-CD11-B-12 OR LATER

JUMPER TABLE FOR M7219 (CD11)

JUMPER	STATE	COMMENTS
A	OUT	BA02 BIT #2
B	IN	BA02 XOR OF BITS #1 AND #2
C	OUT	BA01 BIT #1
D	IN	BA01 BIT #2
03	IN	ADDRESS BIT #3
04	OUT	ADDRESS BIT #4
05	OUT	ADDRESS BIT #5
06	OUT	ADDRESS BIT #6
07	IN	ADDRESS BIT #7
08	IN	ADDRESS BIT #8
09	OUT	ADDRESS BIT #9
10	OUT	ADDRESS BIT #10
11	OUT	ADDRESS BIT #11
12	OUT	ADDRESS BIT #12

THIS CORRESPONDS TO A BASE ADDRESS OF 777100

JUMPER TABLE FOR M7021 (CD11)

JUMPER	STATE	COMMENTS
2	OUT	VECTOR BIT #2
3	IN	VECTOR BIT #3
4	IN	VECTOR BIT #4
5	OUT	VECTOR BIT #5
6	OUT	VECTOR BIT #6
7	IN	VECTOR BIT #7
8	OUT	VECTOR BIT #8

THIS CORRESPONDS TO A VECTOR ADDRESS OF 230

NO PRIORITY PLUG. HARDWIRED TO PRIORITY LEVEL 4.
STATUS AND CONTROL REGISTER (CDST) 777100
COLUMN COUNT REGISTER (C0CC) 777102
CURRENT ADDRESS REGISTER (C0BA) 777104
DATA BUFFER REGISTER (C00B) 777106
INTERFACE CABLE 7000764 (M057 PADDLE BOARD CONNECTOR)
CONNECTED TO CD11 SLOT B02.

REVISIONS		
CHK	CHANGE NO	REV

REV. U
NUMBER DUA KLI0-E-0

THIS DRAWING AND SPECIFICATIONS HEREIN ARE THE PROPERTY OF DIGITAL EQUIPMENT CORPORATION AND SHALL NOT BE REPRODUCED OR COPIED OR USED IN WHOLE OR IN PART AS THE BASIS FOR THE MANUFACTURE OR SALE OF ITEMS WITHOUT WRITTEN PERMISSION. COPYRIGHT © 1977 DIGITAL EQUIPMENT CORPORATION.

REV. 2
DUA KL10-E-0

1 1/2

LP20-B LINE PRINTER CONTROLLER
5411704 ETCHED BACKPLANE
LOWEST ACCEPTABLE REVISION ETCH REV A

7011427 WIRED ASSEMBLY
USE WIRE LIST REV B OF K-WL-LP20-B-WL OR LATER

00505 TRANSLATION RAM LOCATION COEFB4
LOWEST ACCEPTABLE REVISION MODULE REV B
NO JUMPERS OR OTHER CONFIGURABLE COMPONENTS.

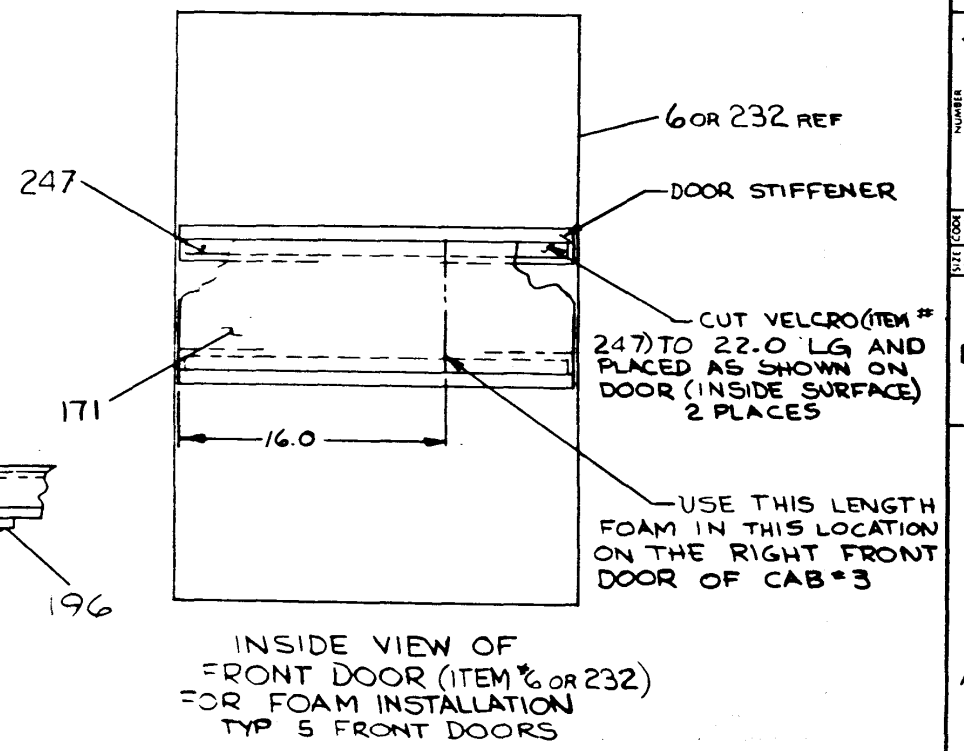
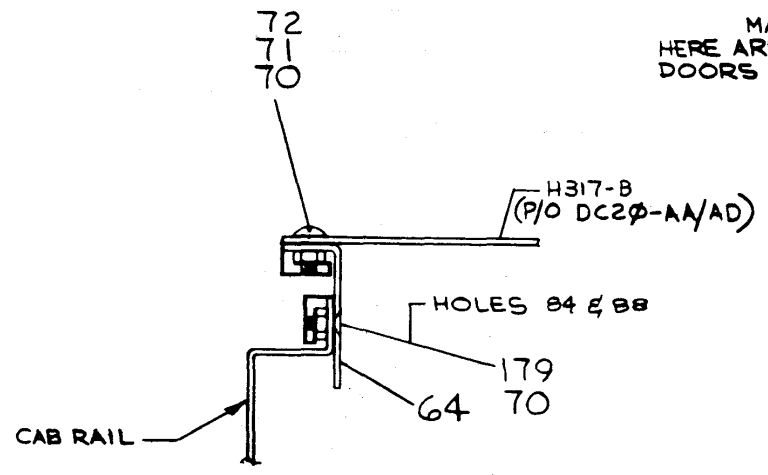
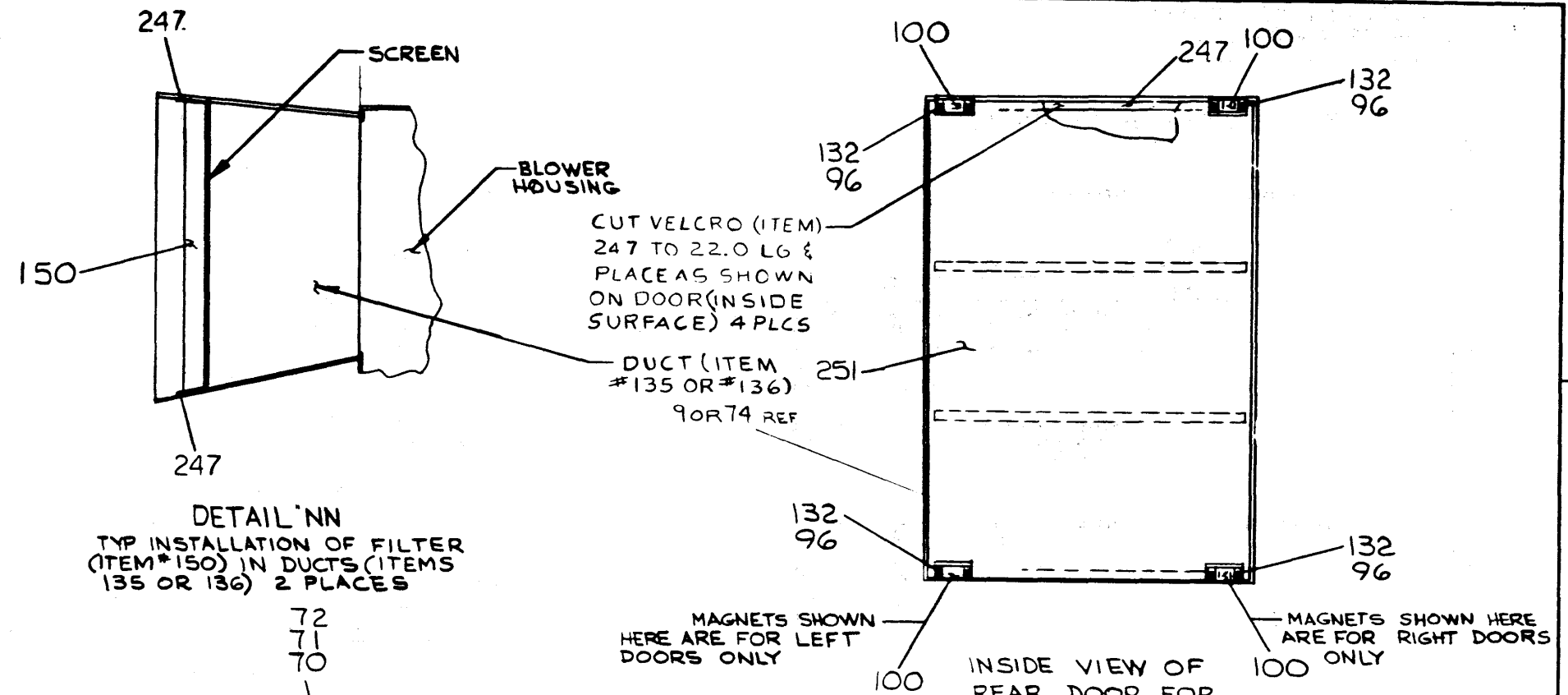
00506 LINE PRINTER CONTROL LOCATION ABCDEF#2
LOWEST ACCEPTABLE REVISION MODULE REV B
JUMPER TABLE

JUMPER	STATE	COMMENTS
W1	IN (UNIT #1), OUT (UNIT #2)	ADDRESS BIT #4
W2	IN	ADDRESS BIT #5
W3	IN	ADDRESS BIT #6
W4	IN	ADDRESS BIT #7
W5	OUT	ADDRESS BIT #8
W6	OUT	ADDRESS BIT #9
W7	IN	ADDRESS BIT #10
W8	OUT	ADDRESS BIT #11
W9	OUT	ADDRESS BIT #12
W10	IN(UNIT#1) OUT (UNIT#2)	VECTOR BIT #2
W11	IN	VECTOR BIT #3
W12	OUT	VECTOR BIT #4
W13	IN	VECTOR BIT #5
W14	IN	VECTOR BIT #6
W15	IN	VECTOR BIT #7
W16	IN	VECTOR BIT #8

W1-W9 CORRESPOND TO A BASE ADDRESS OF 77540 IN UNIT #1 AND OF 77542 IN UNIT #2.
W10-W16 CORRESPOND TO A VECTOR ADDRESS OF 754 IN UNIT #1 AND OF 750 IN UNIT #2.
DIP SITE E06 CONTAINS PRIORITY PLUG 8408770 (BR4).

00507 LINE PRINTER DATA PATHS LOCATION ABCDEF#3
LOWEST ACCEPTABLE REVISION MODULE REV B
JUMPER TABLE

JUMPER	STATE	COMMENTS
W1	OUT	INSTALL TO ENABLE PARITY
W2	IN	INSTALL FOR DAVEU
STATUS REGISTER (LPCSRA) 77540 (775420)		
ERROR AND TEST REGISTER (LPCSRE) 775402 (775422)		
DMA BUS ADDRESS REGISTER (LPBSAD) 775404 (775424)		
DMA BYTE COUNTER REGISTER (LPCBCTR) 775406 (775426)		
PAGE COUNTER REGISTER (LPCPCR) 775410 (775430)		
RAM DATA REGISTER (LPRAMD) 775412 (775432)		
COLUMN COUNTER/CHAR. BUFFER REGISTER (LPCCTR/LPCBUF) 775414 (775434)		
PRINTER DATA/CHECKSUM REGISTER (LPTDAT/LPCKSM) 775416 (775436)		

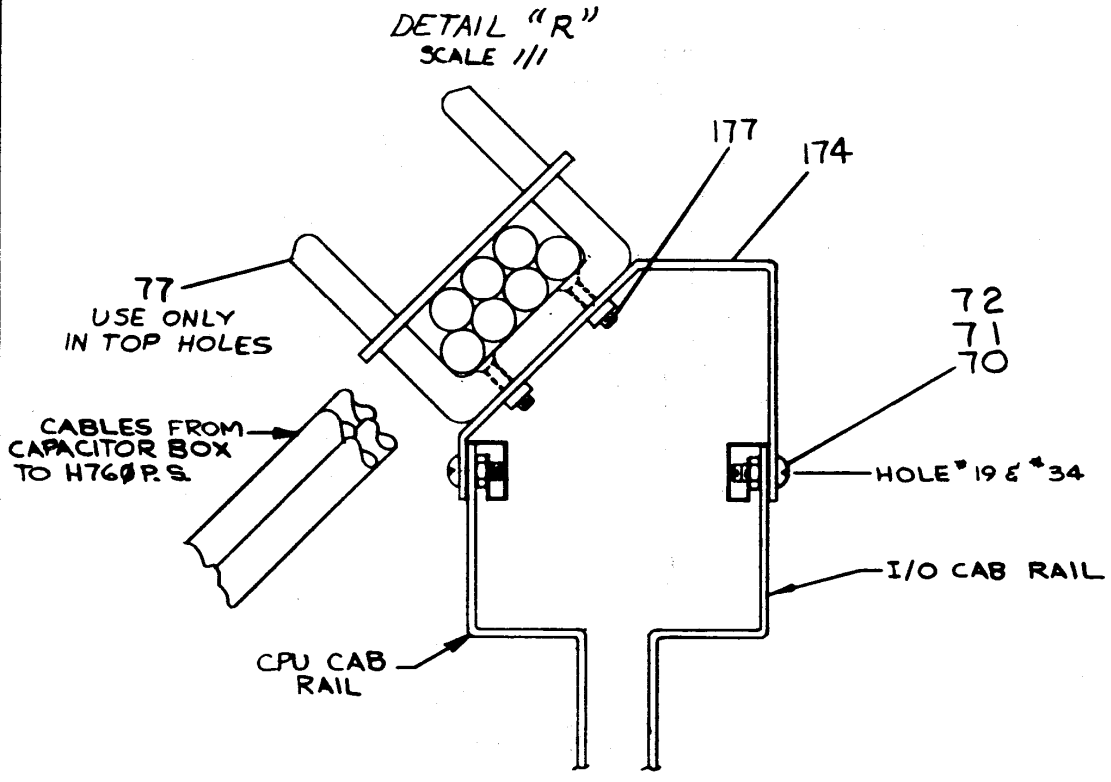
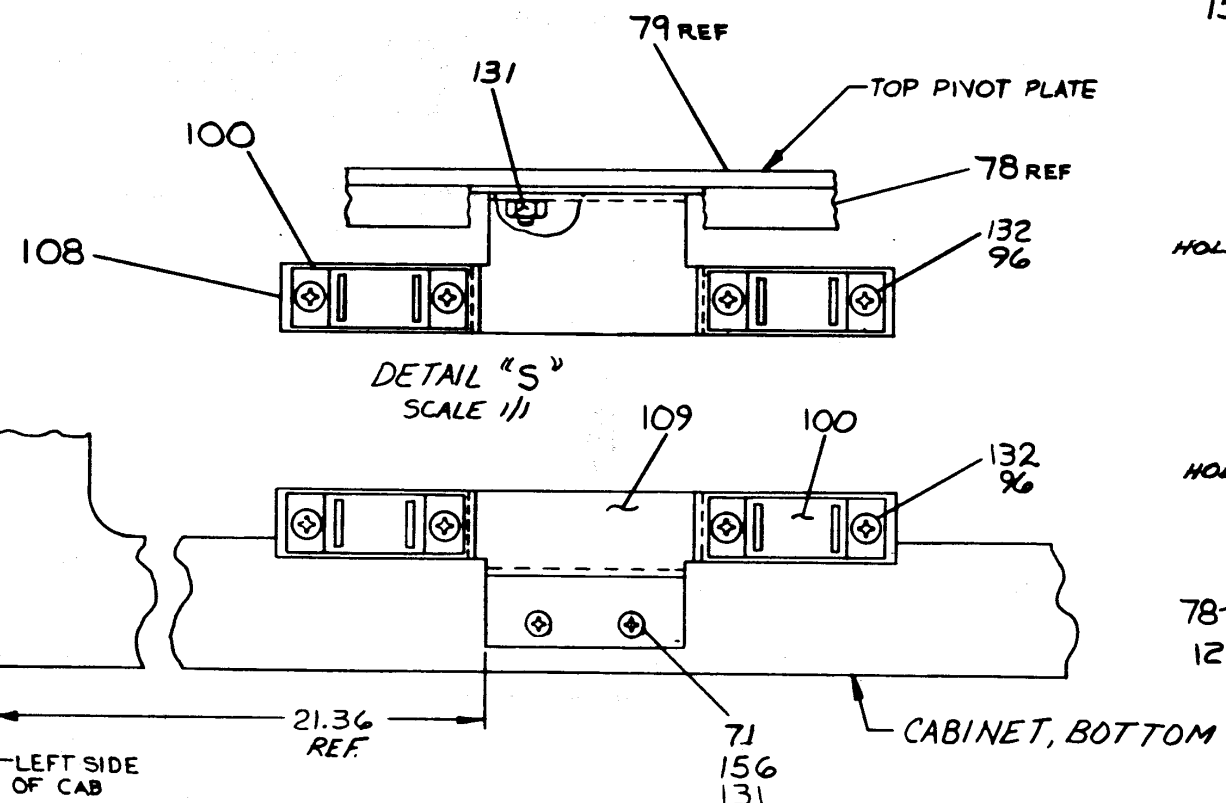


REVISIONS		
CHK	CHANGE NO	REV

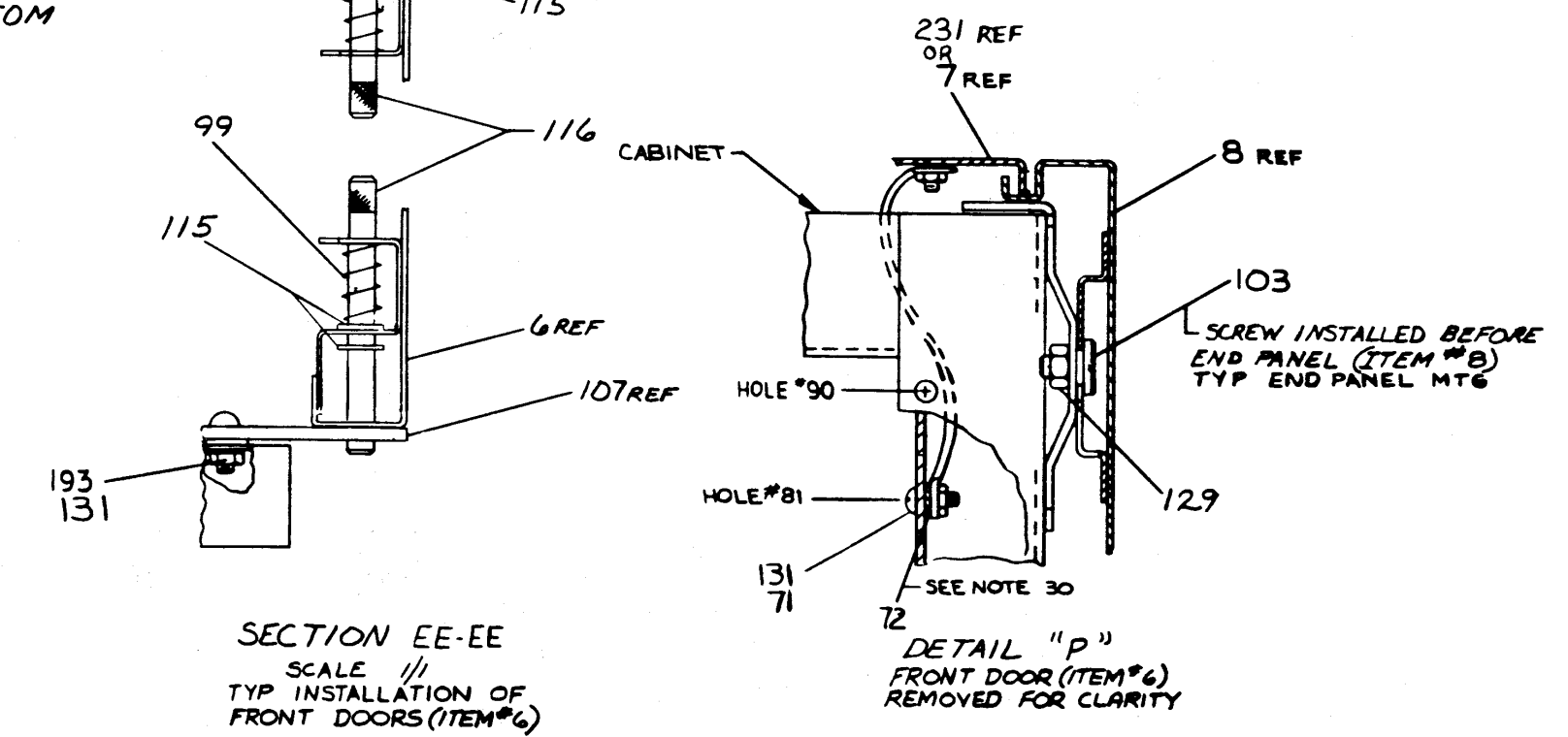
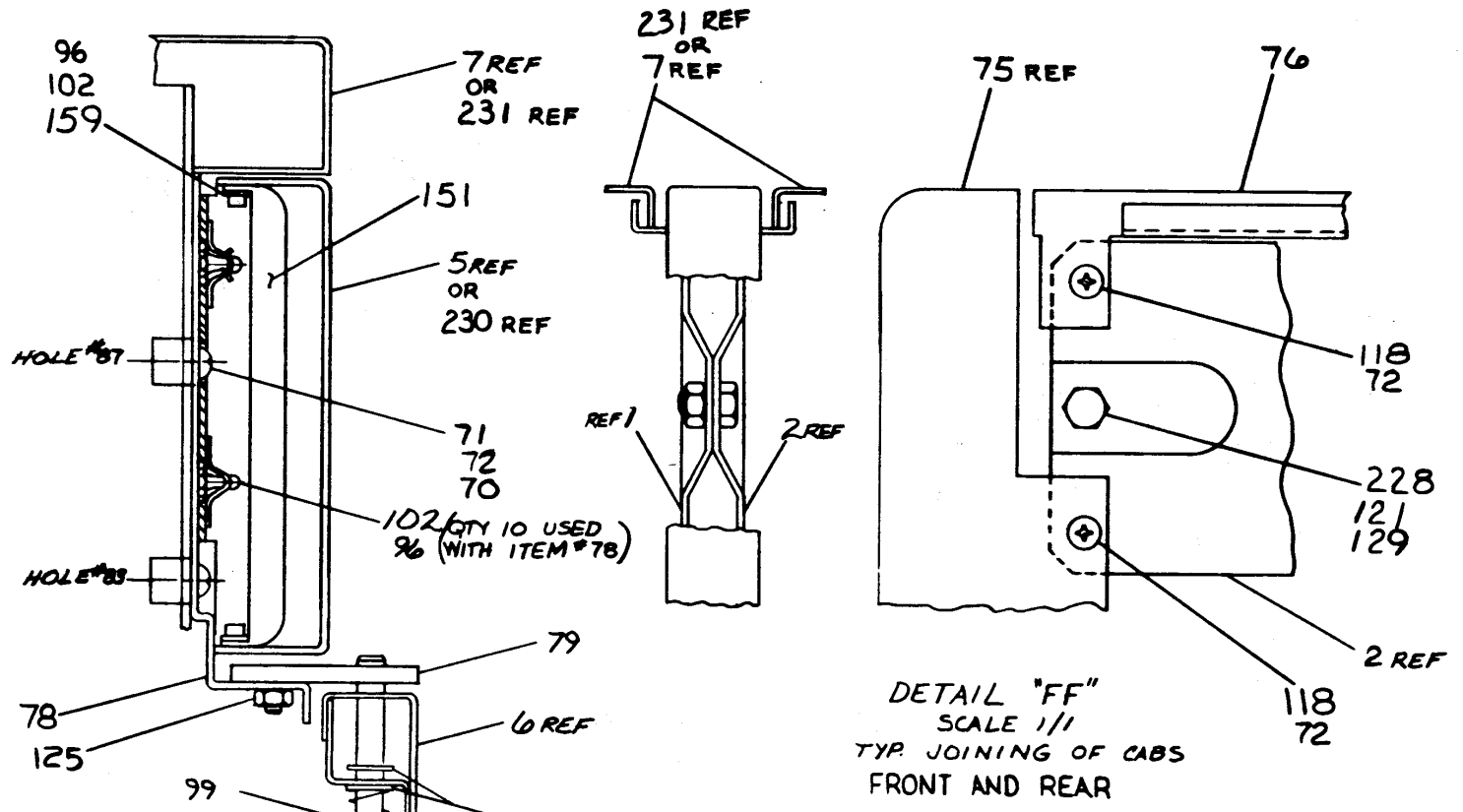
THIS DRAWING AND SPECIFICATIONS HEREIN ARE THE PROPERTY OF DIGITAL EQUIPMENT CORPORATION AND SHALL NOT BE REPRODUCED OR COPIED OR USED IN WHOLE OR IN PART AS THE BASIS FOR THE MANUFACTURE OR SALE OF ITEMS WITHOUT WRITTEN PERMISSION. COPYRIGHT © 1977 DIGITAL EQUIPMENT CORPORATION

D
C
B
A

D
C
B
A



SECTION HH-HH
SCALE: 1/1

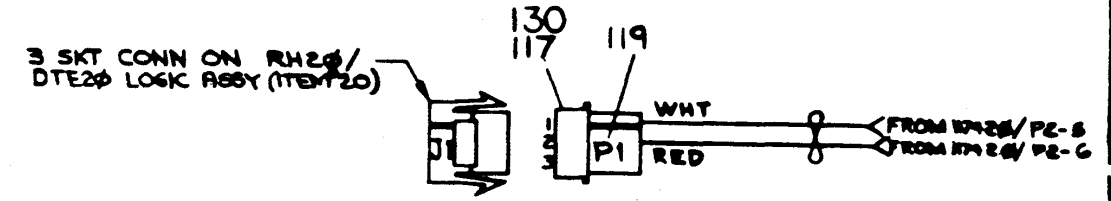
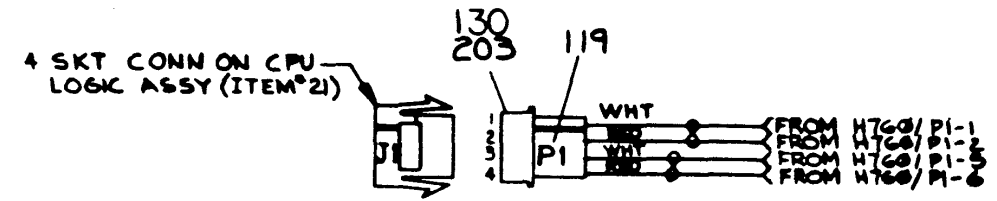


DETAIL "P"
FRONT DOOR (ITEM #6)
REMOVED FOR CLARITY

REVISIONS		
CHK	CHANGE NO	REV

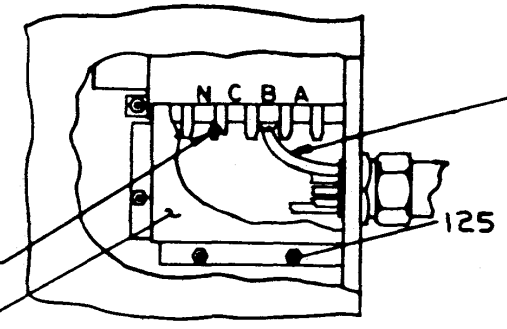
TITLE	ARITHMETIC PROCESSOR	SIZE CODE	DUA KLI0-E-0	NUMBER	19	REV.	U
SCALE		SHEET	19 OF 39	DIST.			

THE DRAWINGS AND SPECIFICATIONS HEREIN ARE THE PROPERTY OF DIGITAL EQUIPMENT CORPORATION AND SHALL NOT BE REPRODUCED OR COPIED OR USED IN WHOLE OR IN PART AS THE BASIS FOR THE MANUFACTURE OR SALE OF ITEMS WITHOUT WRITTEN PERMISSION. COPYRIGHT © 1977 DIGITAL EQUIPMENT CORPORATION

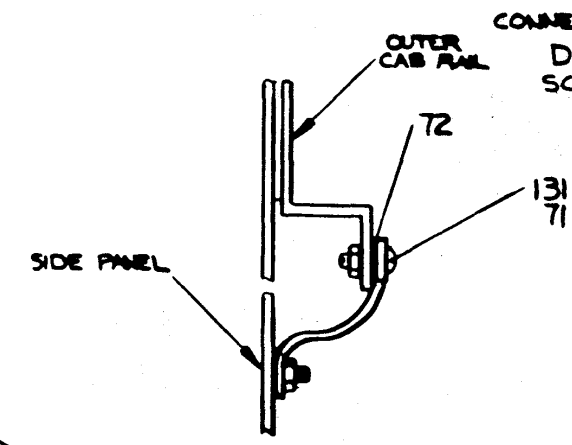


CONNECT P1 TO J1 AS SHOWN
DETAIL 'U'
SCALE: 1/1

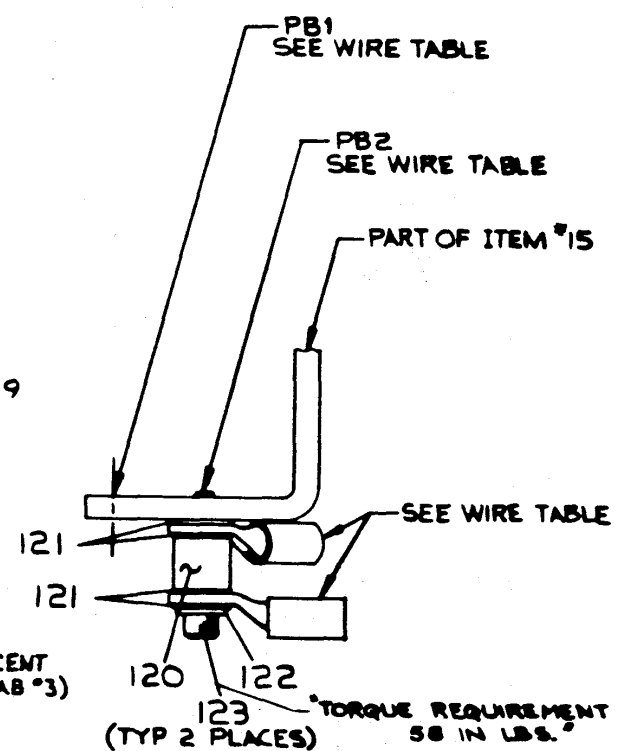
CONNECT P1 TO J1 AS SHOWN
DETAIL 'V'
SCALE: 1/1



DETAIL T
SCALE: NONE



DETAIL A
SCALE: NONE
(SEE NOTE 30)
(TYP. BOTH ENDS OF UNIT)



VIEW W-W

STUDS TO BE REMOVED
ON ALL CABS, BOTTOM ONLY
2 PER CABINET (SEE NOTE 28)

ORN (+15V)
GRN (-15V)
YEL (RTN)
J1

SEE DETAIL 'A'
112
SHIPPED SEPARATELY
TYP 3 PLACES

192
191

112

71
72
131

HOLE #9

238

71
72
131

HOLE #9

238

TO ADJACENT
CABINET (CAB #3)

121
121

120
122

TORQUE REQUIREMENT
58 IN LBS.

CAB #1

53
OR REF
54

SEE DETAIL 'T'

SHIPPED SEPARATELY

114

161

125

CAB #2

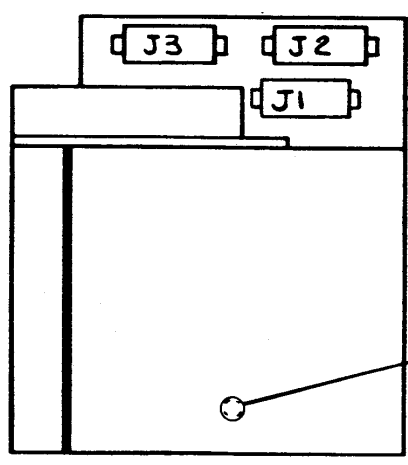
3
14 REF

UL/CSA SCREENS (ITEMS #12 & #14)
MUST BE INSTALLED AT CUSTOMER
SITE BEFORE POWER ON

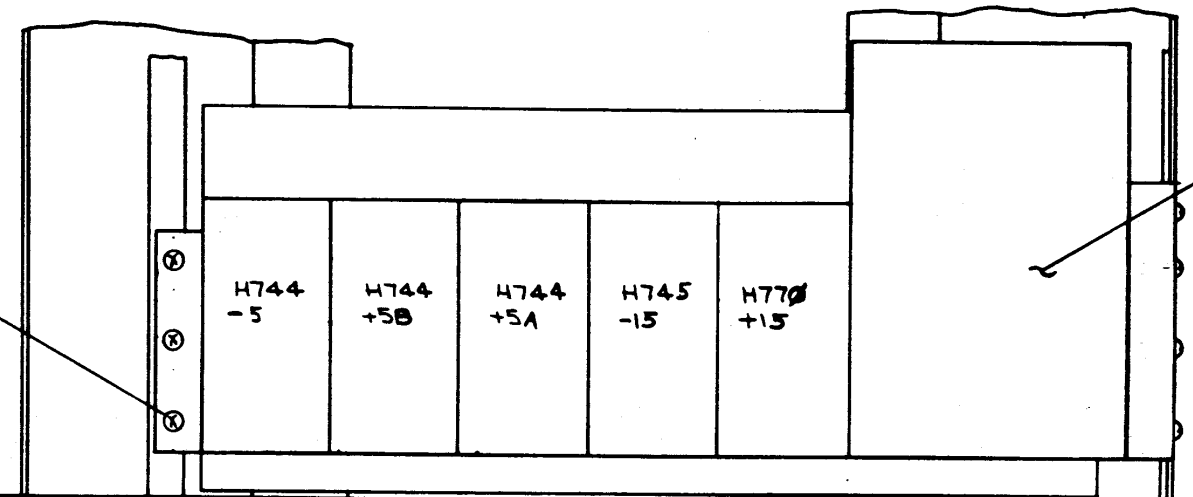
SECTION DD-DD

REVISIONS		
CHK	CHANGE NO	REV

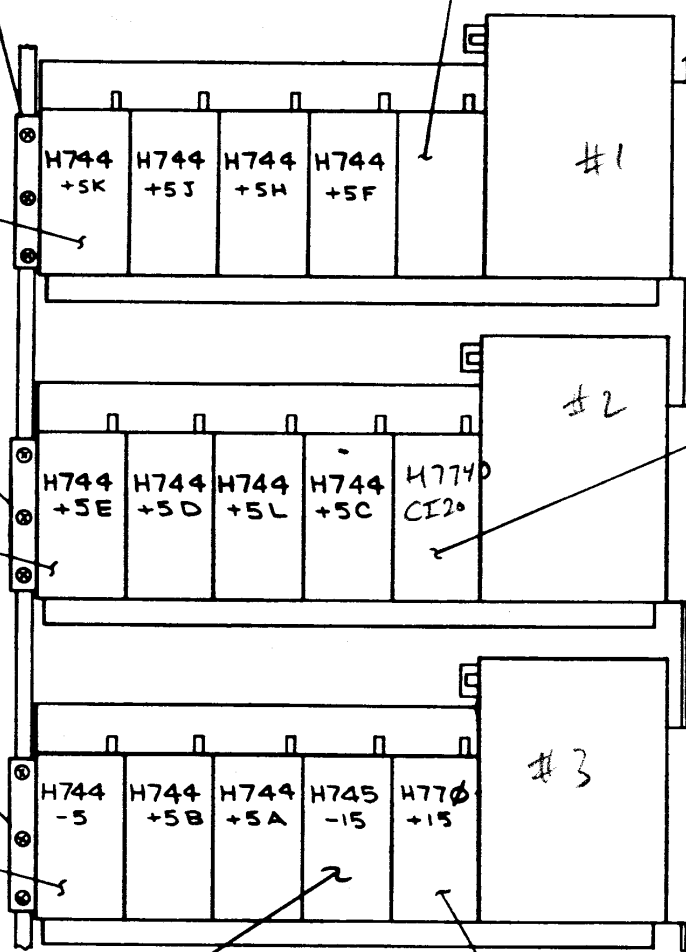
THIS DRAWING AND SPECIFICATIONS HEREIN ARE THE PROPERTY OF DIGITAL EQUIPMENT CORPORATION AND SHALL NOT BE REPRODUCED OR COPIED OR USED IN WHOLE OR IN PART AS THE BASIS FOR THE MANUFACTURE OR SALE OF THIS PRODUCT WITHOUT PERMISSION. COPYRIGHT © 1977 DIGITAL EQUIPMENT CORPORATION



VIEW OF H742Ø CONNECTIONS



16 REF OR 17 REF

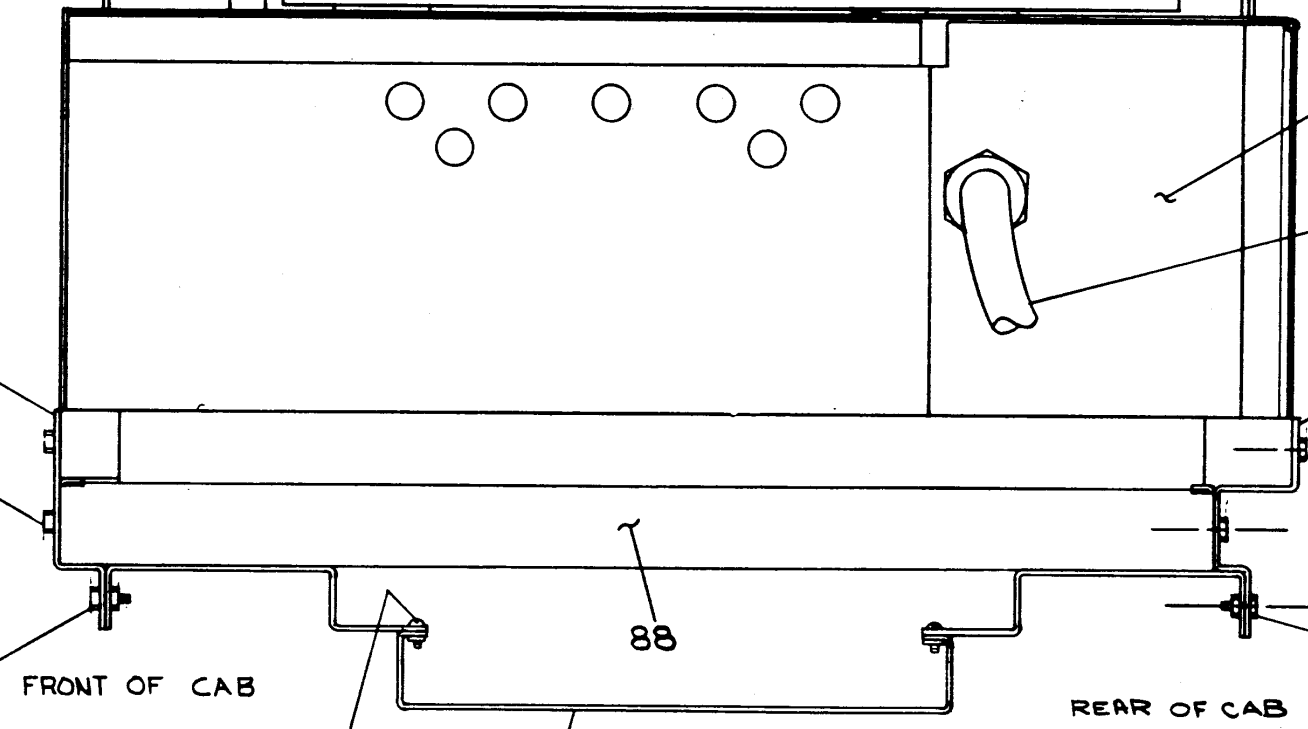


71 72 70

HOLE #5B

HOLE #40

HOLE #21



FRONT OF CAB

REAR OF CAB

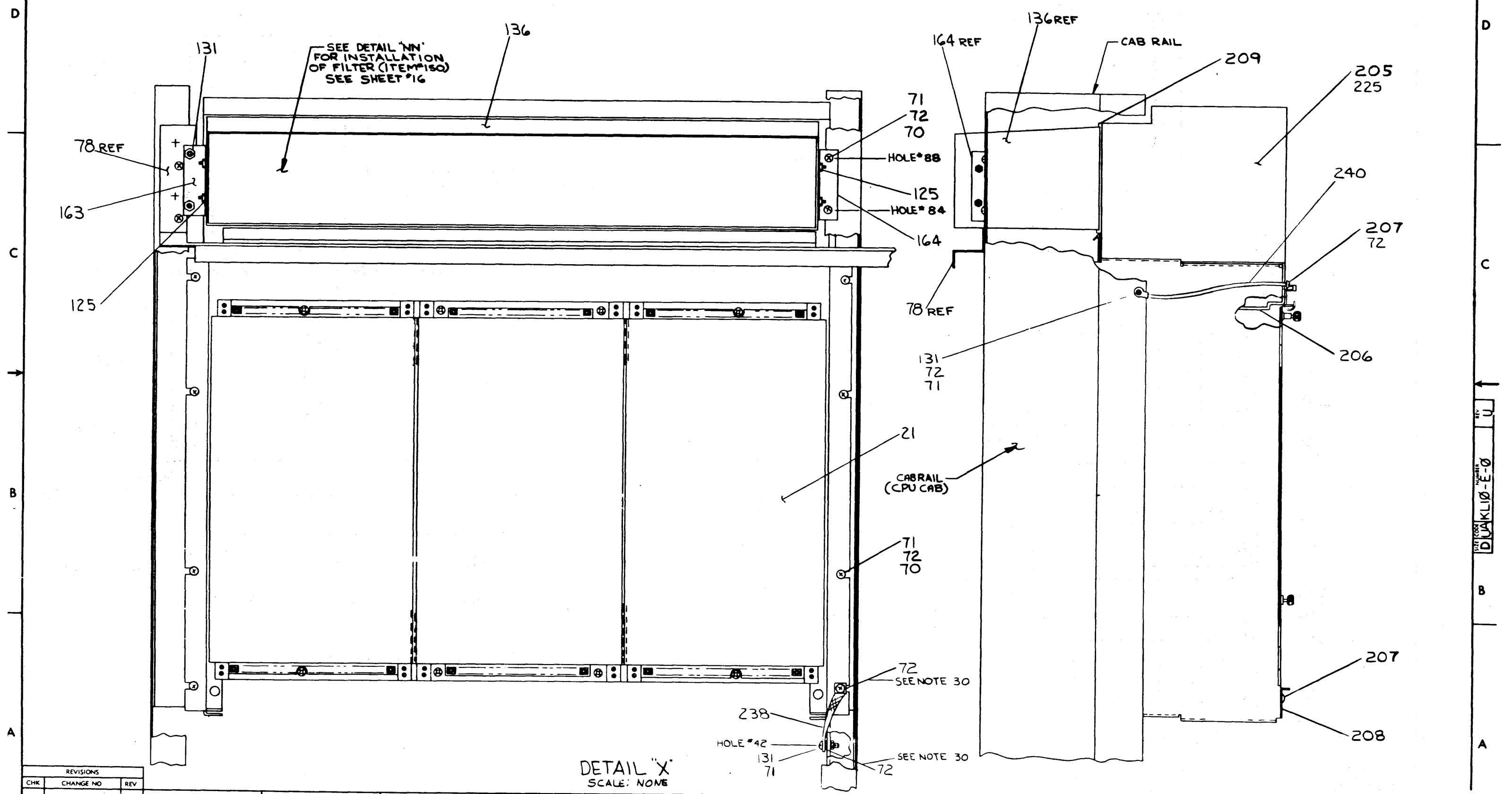
VIEW CC-CC (I/O CAB)

SHIPPED SEPARATELY TYP 3 PLACES

VIEW BB-BB (I/O CAB)

REVISIONS		
CHK	CHANGE NO.	REV

THIS DRAWING AND SPECIFICATIONS HEREIN ARE THE PROPERTY OF DIGITAL EQUIPMENT CORPORATION AND SHALL NOT BE REPRODUCED OR COPIED OR USED IN WHOLE OR IN PART AS THE BASIS FOR THE MANUFACTURE OR SALE OF ITEMS WITHOUT WRITTEN PERMISSION.
 COPYRIGHT © 1977 DIGITAL EQUIPMENT CORPORATION

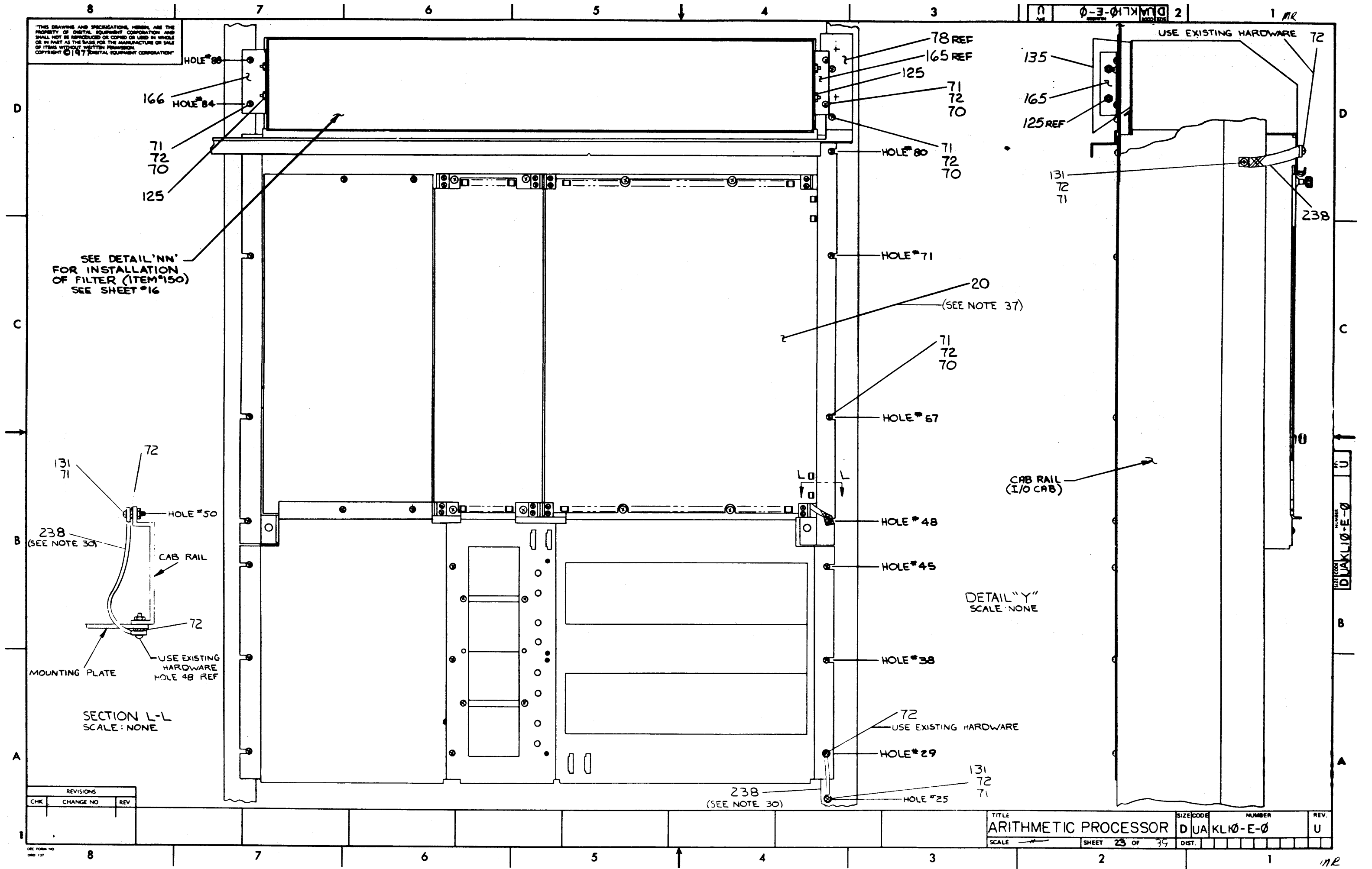


DETAIL 'X'
 SCALE: NONE

REVISIONS		
CHK	CHANGE NO	REV

THIS DRAWING AND SPECIFICATIONS HEREIN ARE THE PROPERTY OF DIGITAL EQUIPMENT CORPORATION AND SHALL NOT BE REPRODUCED OR COPIED OR USED IN WHOLE OR IN PART AS THE BASIS FOR THE MANUFACTURE OR SALE OF ITEMS WITHOUT WRITTEN PERMISSION. COPYRIGHT © 1977 DIGITAL EQUIPMENT CORPORATION

0 0-3-017KMD 2 1 MR



SEE DETAIL 'NN' FOR INSTALLATION OF FILTER (ITEM #150) SEE SHEET #16

DETAIL 'Y' SCALE: NONE

SECTION L-L SCALE: NONE

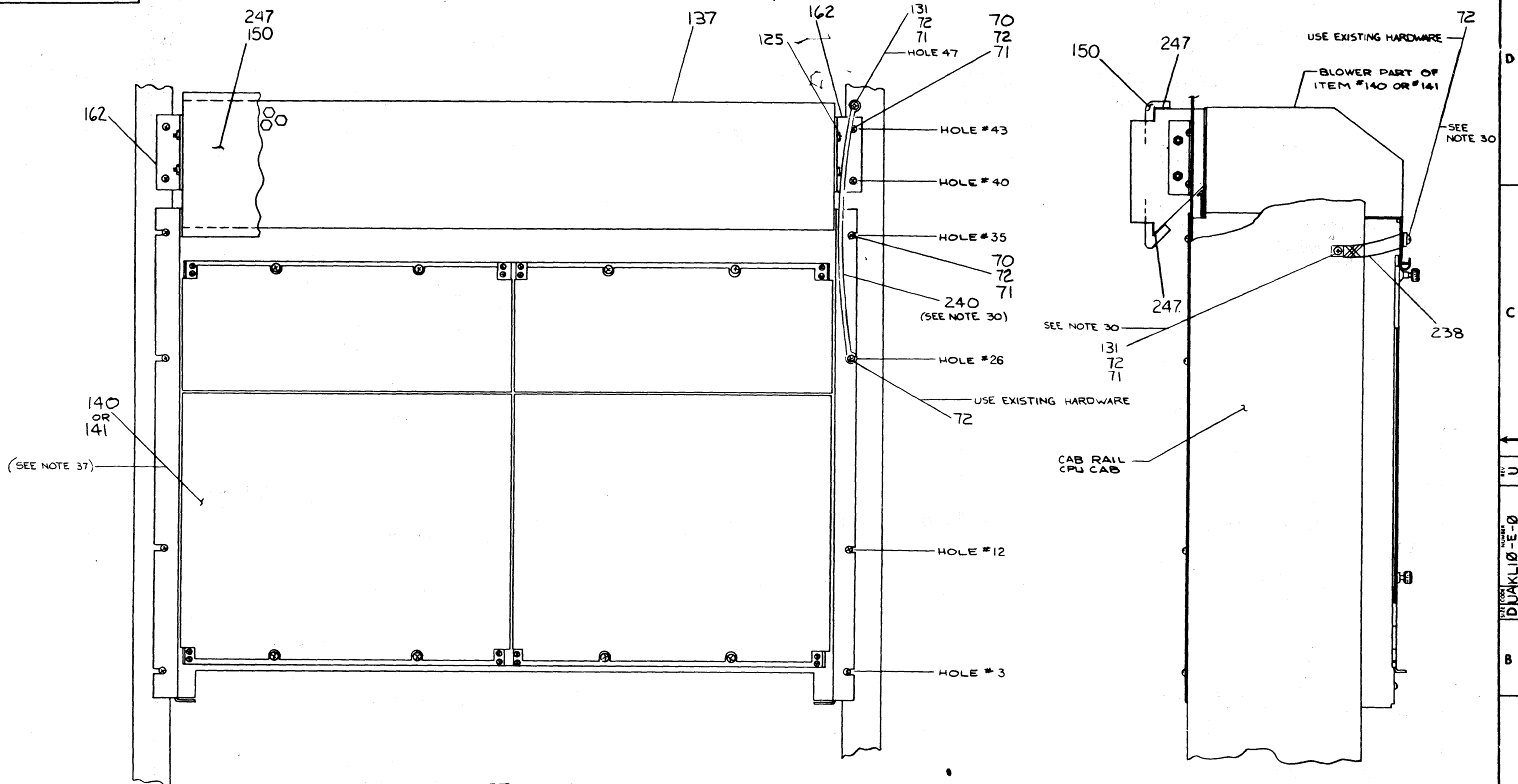
REVISIONS		
CHK	CHANGE NO	REV

TITLE	SIZE CODE	NUMBER	REV.
ARITHMETIC PROCESSOR	D UA KLIØ-E-Ø	23 OF 39	U
SCALE	DIST.		

DIGITAL EQUIPMENT CORPORATION

me

THIS DRAWING AND SPECIFICATIONS HEREIN ARE THE PROPERTY OF DIGITAL EQUIPMENT CORPORATION AND SHALL NOT BE REPRODUCED OR COPIED OR USED IN WHOLE OR IN PART AS THE BASIS FOR THE MANUFACTURE OR SALE OF ITEMS WITHOUT WRITTEN PERMISSION. COPYRIGHT © 1977 DIGITAL EQUIPMENT CORPORATION

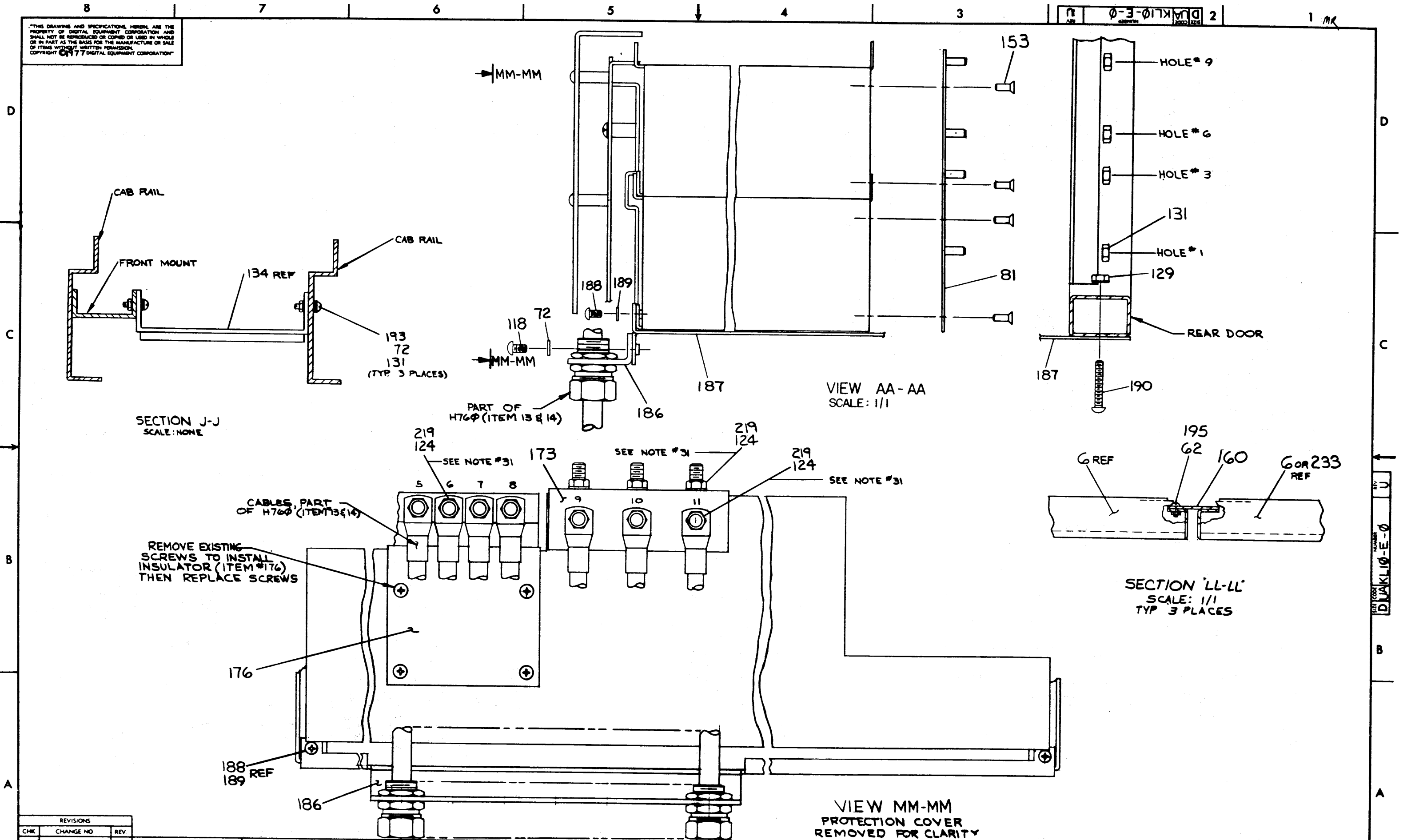


DETAIL - Z
SCALE: 1/2
KLIO-EA/EB/EC/ED
VARIATION ONLY

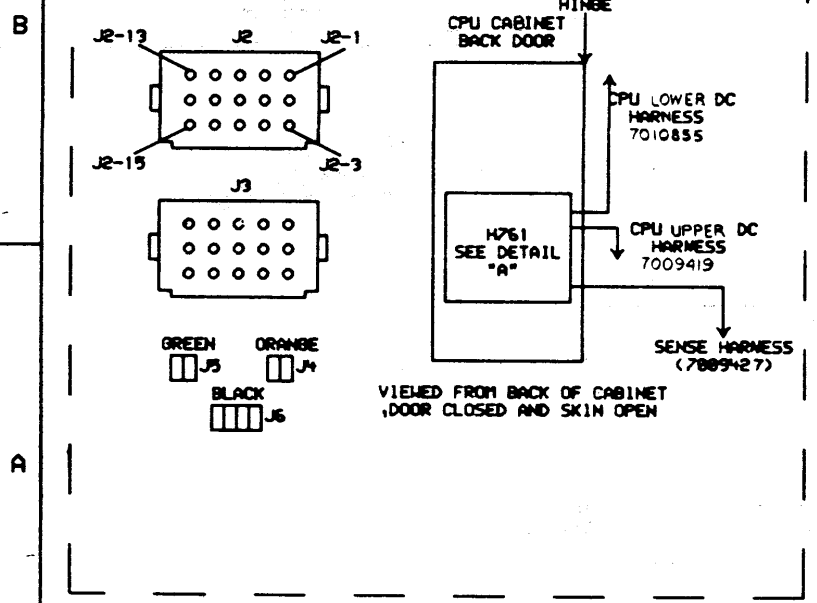
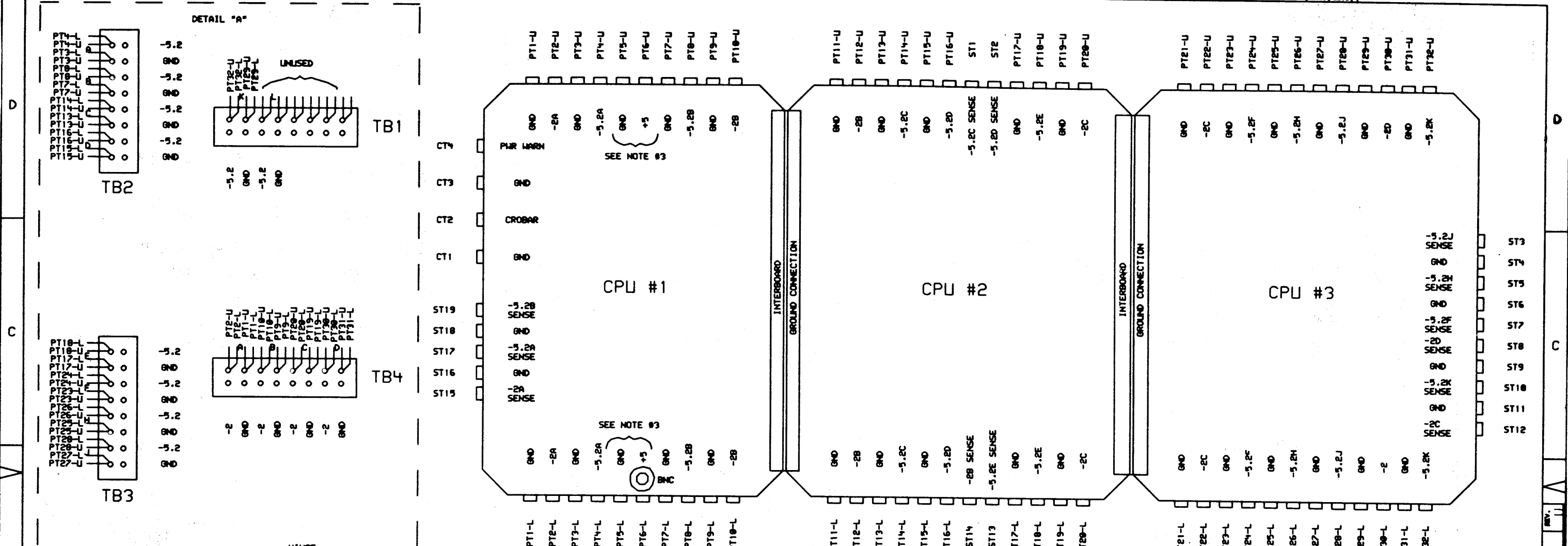
REVISIONS		
CHK	CHANGE NO	REV

TITLE	SIZE CODE	NUMBER	REV.
ARITHMETIC PROCESSOR CAB RAIL	DUA KLIO-E-0		U
SCALE	SHEET	OF	DIST.
	24	39	

THIS DRAWING AND SPECIFICATIONS HEREIN ARE THE PROPERTY OF DIGITAL EQUIPMENT CORPORATION AND SHALL NOT BE REPRODUCED OR COPIED OR USED IN WHOLE OR IN PART AS THE BASIS FOR THE MANUFACTURE OR SALE OF ITEMS WITHOUT WRITTEN PERMISSION. COPYRIGHT © 1977 DIGITAL EQUIPMENT CORPORATION.



REVISIONS		
CHK	CHANGE NO	REV



NOTES:

- "PT-U" REPRESENTS "POWER TABS" ON CPU BACKPLANE AND "L" NUMBERS REPRESENT TABS ON BOTTOM OF BACKPLANE.
- "ST-U" REPRESENTS "SENSE TABS" FOR REMOTE SENSING PURPOSES. CONNECTIONS ARE MADE FROM J2 AND J3 OF H761 TO "ST-U" TABS. FROM "ST-U" TABS ETCH COMPLETES PATH TO PROPER REMOTE SENSING PIN ON BACKPLANE. WIRE AND ETCH AS BELOW:
 TWISTED PAIR FROM H761 (J2 & J3) TO "ST-U" TABS

-5.2A	+ SENSE	1	TO ST17
-5.2A	+ SENSE	2	TO ST17
-5.2B	+ SENSE	1	TO ST18
-5.2B	+ SENSE	2	TO ST18
-5.2C	+ SENSE	1	TO ST19
-5.2C	+ SENSE	2	TO ST19
-5.2D	+ SENSE	1	TO ST2
-5.2D	+ SENSE	2	TO ST2
-5.2E	+ SENSE	1	TO ST13
-5.2E	+ SENSE	2	TO ST13
-5.2F	+ SENSE	1	TO ST4
-5.2F	+ SENSE	2	TO ST4
-5.2G	+ SENSE	1	TO ST6
-5.2G	+ SENSE	2	TO ST6
-5.2H	+ SENSE	1	TO ST7
-5.2H	+ SENSE	2	TO ST7
-5.2I	+ SENSE	1	TO ST8
-5.2I	+ SENSE	2	TO ST8
-5.2J	+ SENSE	1	TO ST9
-5.2J	+ SENSE	2	TO ST9
-2A	+ SENSE	1	TO ST10
-2A	+ SENSE	2	TO ST10
-2B	+ SENSE	1	TO ST11
-2B	+ SENSE	2	TO ST11
-2C	+ SENSE	1	TO ST15
-2C	+ SENSE	2	TO ST15
-2D	+ SENSE	1	TO ST16
-2D	+ SENSE	2	TO ST16
-2E	+ SENSE	1	TO ST14
-2E	+ SENSE	2	TO ST14
-2F	+ SENSE	1	TO ST17
-2F	+ SENSE	2	TO ST17
-2G	+ SENSE	1	TO ST12
-2G	+ SENSE	2	TO ST12
-2H	+ SENSE	1	TO ST11
-2H	+ SENSE	2	TO ST11
-2I	+ SENSE	1	TO ST8
-2I	+ SENSE	2	TO ST8
-2J	+ SENSE	1	TO ST9
-2J	+ SENSE	2	TO ST9
- ETCH FROM "ST-U" TABS TO REMOTE SENSE PIN.

-5.2A	ST17 TO F882
-5.2B	ST19 TO F1482
-5.2C	ST1 TO A21U1
-5.2D	ST2 TO A27U1
-5.2E	ST13 TO F3382
-5.2F	ST7 TO A48U1
-5.2G	ST5 TO A45U1
-5.2H	ST3 TO A45U1
-5.2I	ST18 TO F3382
-5.2J	ST15 TO F381
-2A	ST12 TO F3181
-2B	ST12 TO F3881
-2C	ST8 TO F4881
- "PT" TABS 5-U, 5-L, 6-U AND 6-L ARE CONNECTED TO H7420 #2 IN I/O CABINET FOR +5 POWER.
- JUMPER PT9-U TO PT11-U AND PT9-L TO PT11-L
- JUMPER PT18-U TO PT12-U AND PT18-L TO PT12-L
- JUMPER PT19-U TO PT21-U AND PT19-L TO PT21-L
- JUMPER PT20-U TO PT22-U AND PT20-L TO PT22-L
- ALL WIRES TO BE #18 AWG EXCEPT FOR THE FOLLOWING EXCEPTIONS:
 A. WIRES FROM I/O CABINET H7420 #2 TO +5V TABS PT3-U, PT5-L, PT6-U AND PT6-L ARE TO BE 14 AWG TWISTED PAIR.
 B. ALL REMOTE SENSE LINES TO BE 18 AWG TWISTED PAIR.
 COLOR CODE AS FOLLOWS:
 BLACK = GND
 RED = +5
 GREEN = -2.0
 BLUE = -5.2
- "CT" REPRESENTS "CONTROL TABS". SIGNALS POWER WARN AND CROBAR ARE GENERATED FROM 863 POWER CONTROL AND TERMINATE AT CT2 AND CT4 RESPECTIVELY.
 ETCH FROM "CT" TABS TO PINS.
 POWER WARN - CT4 TO A84J1
 CROBAR - CT2 TO A86L2, B86S1, C82S1, C83S1, AND F81U2
- DRAWING NOT TO SCALE
- VIEWED FROM PIN SIDE

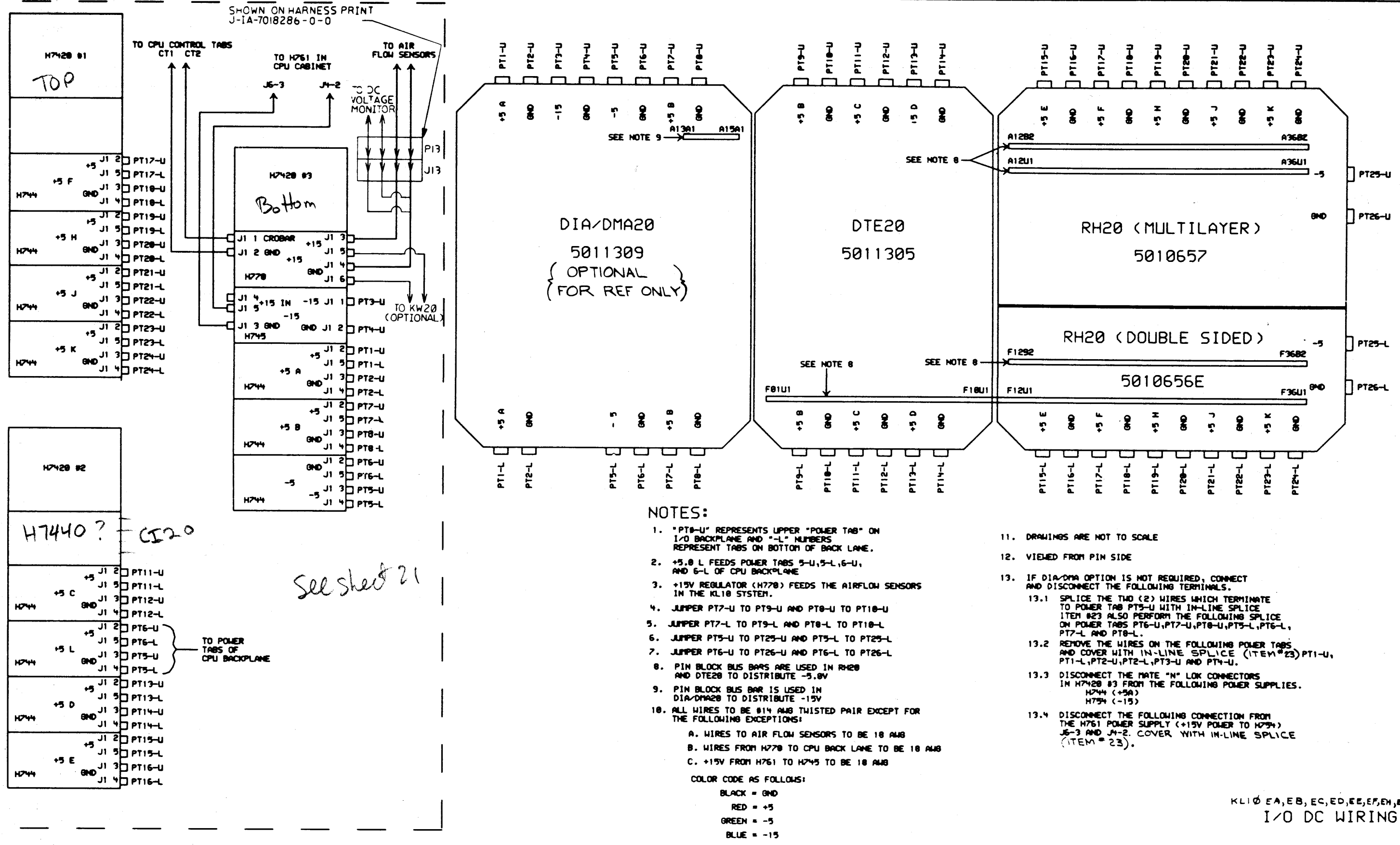
KL10-EA, EB, EC, ED, EE, EF, EH, EJ
 CPU DC WIRING

"THIS DRAWING AND SPECIFICATIONS, HEREIN, ARE THE PROPERTY OF DIGITAL EQUIPMENT CORPORATION AND SHALL NOT BE REPRODUCED OR COPIED OR USED IN WHOLE OR IN PART AS THE BASIS FOR THE MANUFACTURE OR SALE OF ITEMS WITHOUT WRITTEN PERMISSION.
 COPYRIGHT © 1977 DIGITAL EQUIPMENT CORPORATION

REVISIONS	
CHK	CHANGE NO. REV

digital	DATE: 7-28-77	ENG: M. J. ...	DATE: ...	TITLE: ARITHMETIC PROCESSOR
DESIGNED BY: ...	DATE: ...	LOC: ...	DATE: ...	REV: U
FIRST USED ON OPTION MODEL: KL10	NEXT HIGHER ASSEMBLY: B-D0-KL10-E	SIZE CODE: D	UA	KL10-E-0

SHOWN ON HARNESS PRINT
J-1A-7018286-0-0



NOTES:

1. "PT8-U" REPRESENTS UPPER "POWER TAB" ON I/O BACKPLANE AND "-L" NUMBERS REPRESENT TABS ON BOTTOM OF BACK LANE.
2. +5, 0 L FEEDS POWER TABS 5-U, 5-L, 6-U, AND 6-L OF CPU BACKPLANE.
3. +15V REGULATOR (H778) FEEDS THE AIRFLOW SENSORS IN THE KL10 SYSTEM.
4. JUMPER PT7-U TO PT9-U AND PT8-U TO PT10-U
5. JUMPER PT7-L TO PT9-L AND PT8-L TO PT10-L
6. JUMPER PT5-U TO PT25-U AND PT5-L TO PT25-L
7. JUMPER PT6-U TO PT26-U AND PT6-L TO PT26-L
8. PIN BLOCK BUS BARS ARE USED IN RH20 AND DTE20 TO DISTRIBUTE -5.0V
9. PIN BLOCK BUS BAR IS USED IN DIA/DMA20 TO DISTRIBUTE -15V
10. ALL WIRES TO BE #14 AWG TWISTED PAIR EXCEPT FOR THE FOLLOWING EXCEPTIONS:
 - A. WIRES TO AIR FLOW SENSORS TO BE 18 AWG
 - B. WIRES FROM H778 TO CPU BACK LANE TO BE 18 AWG
 - C. +15V FROM H761 TO H745 TO BE 18 AWG
11. DRAWINGS ARE NOT TO SCALE
12. VIEWED FROM PIN SIDE
13. IF DIA/DMA OPTION IS NOT REQUIRED, CONNECT AND DISCONNECT THE FOLLOWING TERMINALS.
 - 13.1 SPLICE THE TWO (2) WIRES WHICH TERMINATE TO POWER TAB PT5-U WITH IN-LINE SPLICE ITEM #23 ALSO PERFORM THE FOLLOWING SPLICE ON POWER TABS PT6-U, PT7-U, PT8-U, PT5-L, PT6-L, PT7-L AND PT8-L.
 - 13.2 REMOVE THE WIRES ON THE FOLLOWING POWER TABS AND COVER WITH IN-LINE SPLICE (ITEM #23) PT1-U, PT1-L, PT2-U, PT2-L, PT3-U AND PT4-U.
 - 13.3 DISCONNECT THE MATE "M" LOK CONNECTORS IN H7420 #3 FROM THE FOLLOWING POWER SUPPLIES. H744 (+5A) H754 (-15)
 - 13.4 DISCONNECT THE FOLLOWING CONNECTION FROM THE H761 POWER SUPPLY (+15V POWER TO H754) J6-3 AND J4-2. COVER WITH IN-LINE SPLICE (ITEM # 23).

COLOR CODE AS FOLLOWS:
 BLACK = GND
 RED = +5
 GREEN = -5
 BLUE = -15
 ORANGE = +15

KL10 EA, EB, EC, ED, EE, EF, EN, ET
I/O DC WIRING

"THIS DRAWING AND SPECIFICATIONS, HEREIN, ARE THE PROPERTY OF DIGITAL EQUIPMENT CORPORATION AND SHALL NOT BE REPRODUCED OR COPIED OR USED IN WHOLE OR IN PART AS THE BASIS FOR THE MANUFACTURE OR SALE OF ITEMS WITHOUT WRITTEN PERMISSION.
COPYRIGHT © 1977 DIGITAL EQUIPMENT CORPORATION"

REVISIONS		
CHK	CHANGE NO.	REV

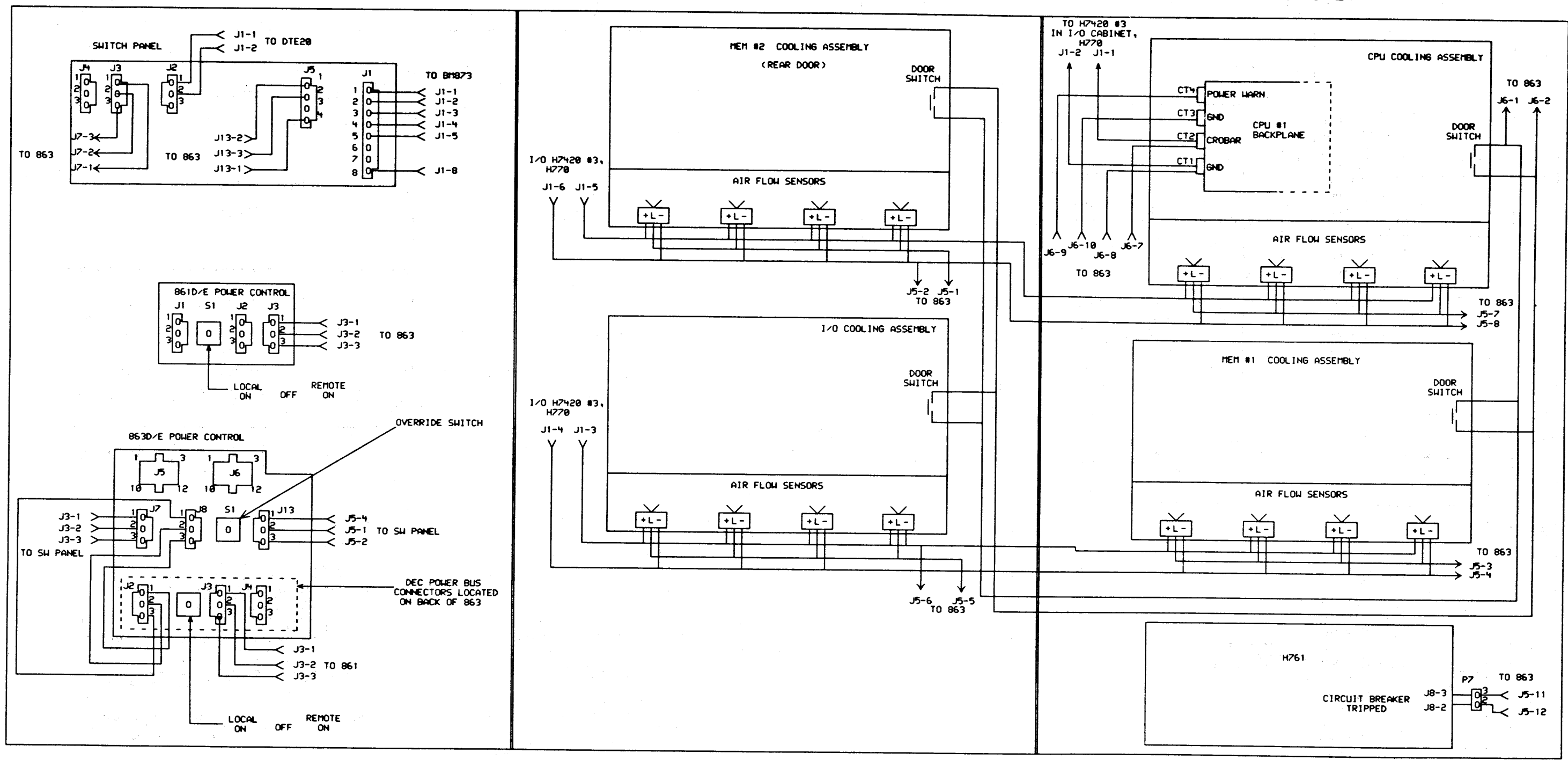
	DATE ENG	DATE	TITLE:
	DATE	DATE	ARITHMETIC PROCESSOR
FIRST USED ON OPTION/MODEL: KL10	B-DD-KL10-E	SIZE CODE D UA	NUMBER KL10-E-0

REV. U
NUMBER KL10-E-0
SIZE CODE UA
B

CONSOLE PROCESSOR CABINET

I/O CABINET

CPU CABINET



- NOTES:
1. VIEWED FROM FRONT.
 2. FAULT HARNESS IS 7011800-0 & 7011800-1
 3. DRAWING NOT TO SCALE.

KL10-EA,EB,EC,ED
FAULT WIRING

THIS DRAWING AND SPECIFICATIONS
HEREIN, ARE THE PROPERTY OF
DIGITAL EQUIPMENT CORPORATION AND
SHALL NOT BE REPRODUCED OR COPIED
OR USED IN WHOLE OR IN PART AS
THE BASIS FOR THE MANUFACTURE OR
SALE OF ITEMS WITHOUT WRITTEN
PERMISSION. COPYRIGHT © 1983
DIGITAL EQUIPMENT CORPORATION

REVISIONS	CHK	CHANGE NO.	REV.

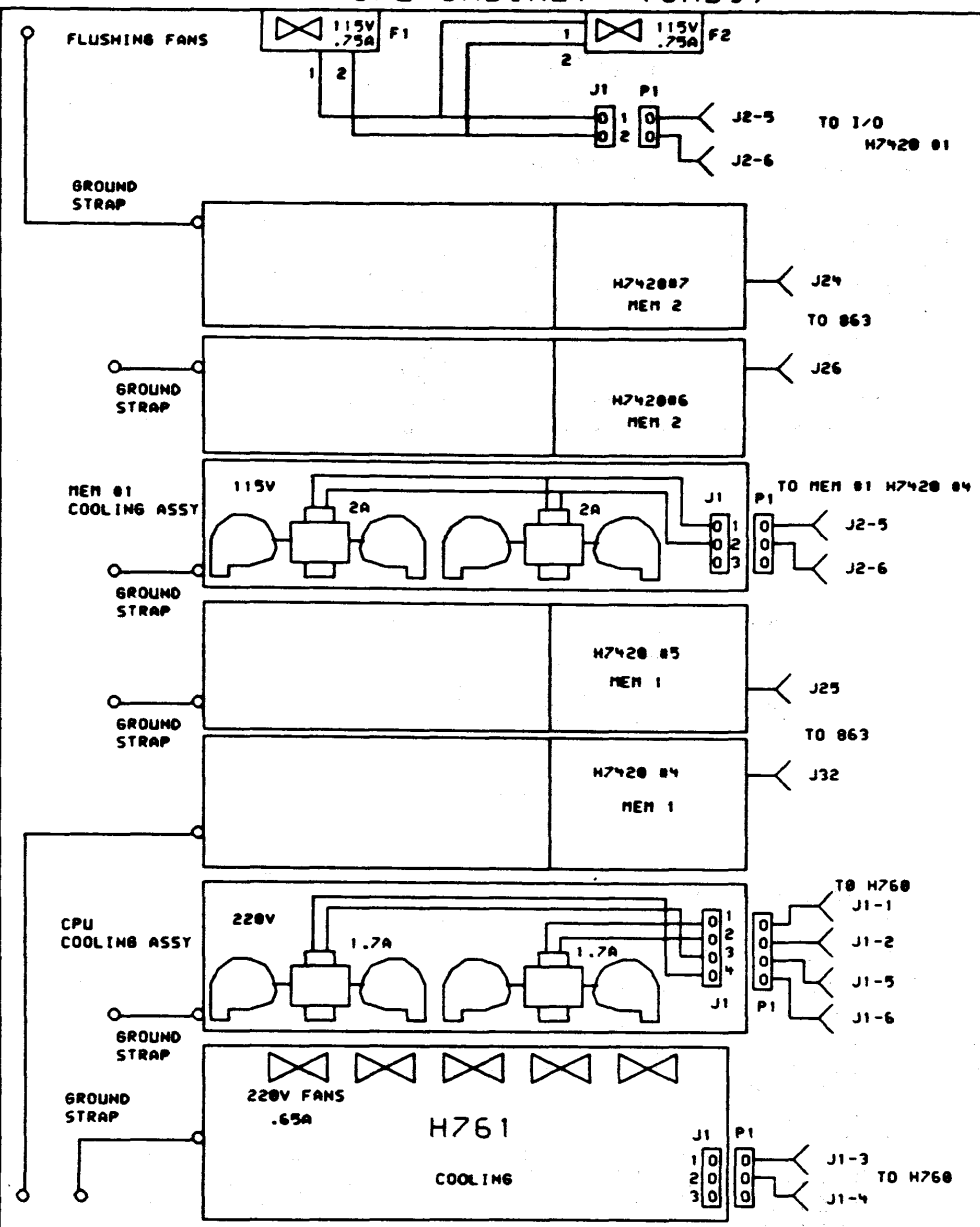
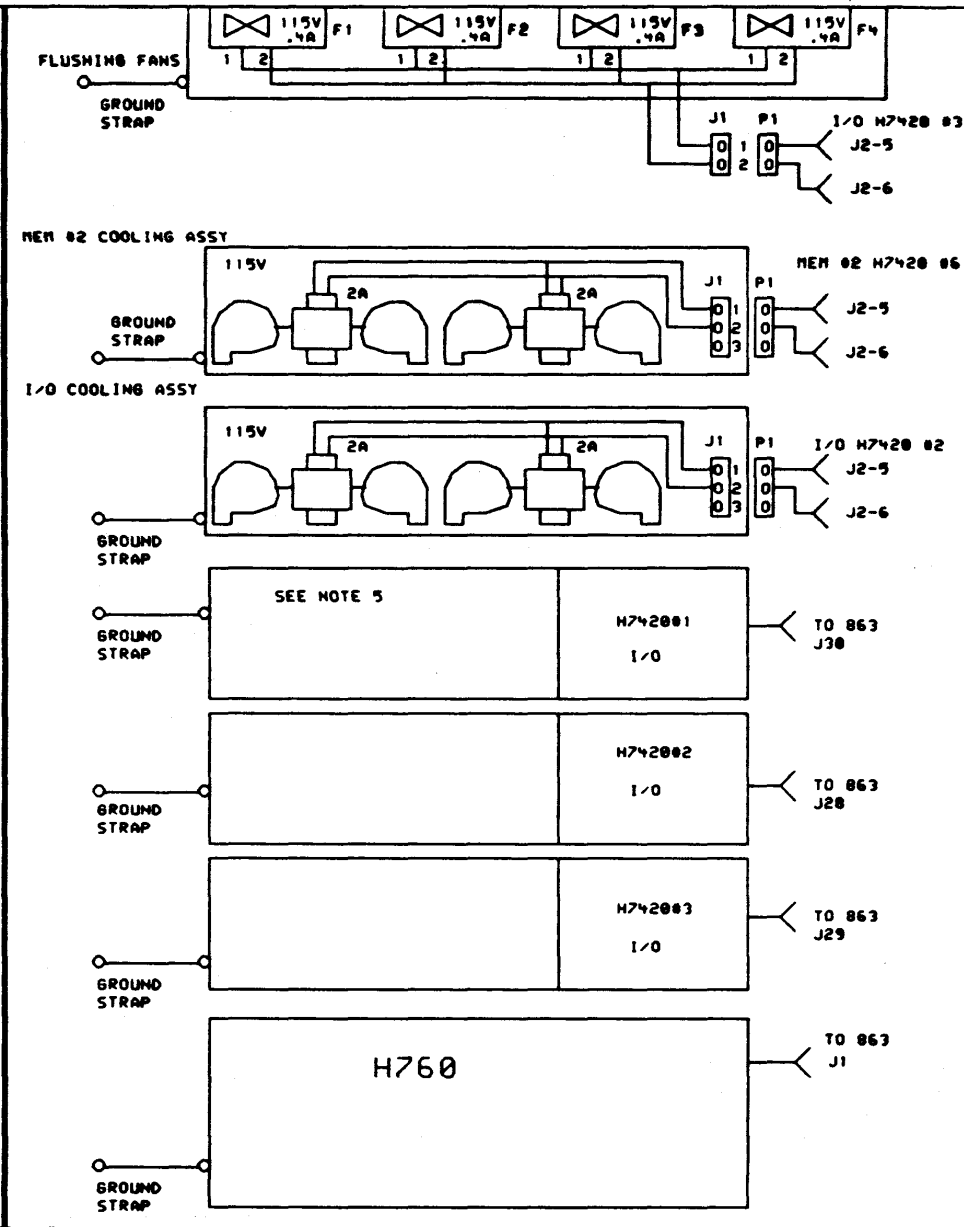
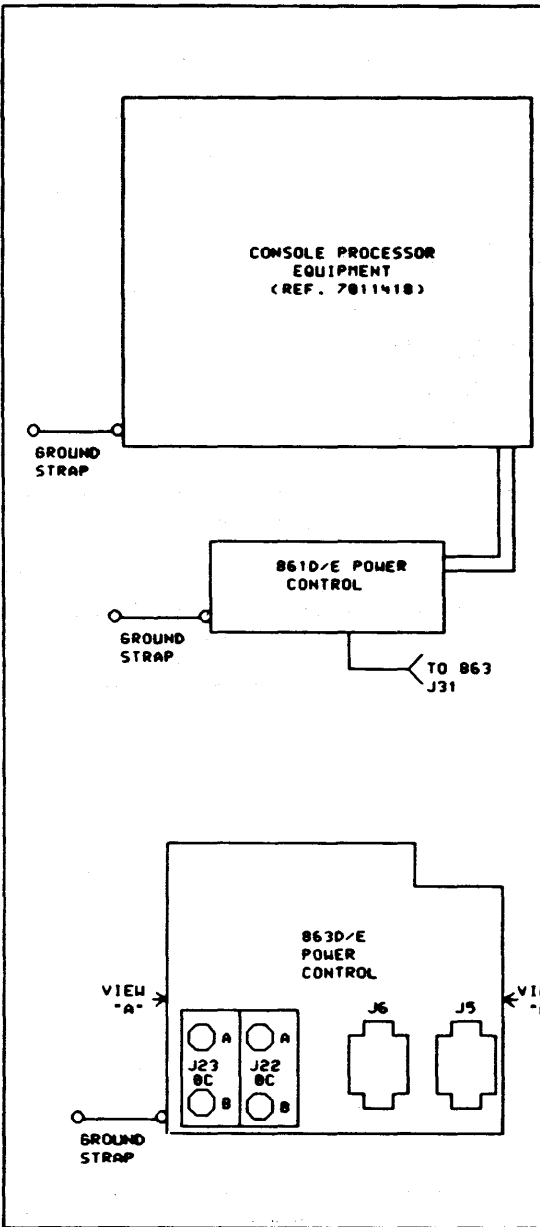
	DATE: 00-FEB-83	ENG.:	DATE:	TITLE: ARITHMETIC PROCESSOR
	CHK'D: J. J. J.	DATE: 00-FEB-83	BOARD LOCATION: SHEET 28 OF 39	NUMBER: KL10-E-0
SUBCOPY (BOMEN, SCRATCH) 20K110E.DRW 08-FEB-83 07:18 NEXT HIGHER ASSEMBLY: B-DD-KL10-E		SIZE CODE: D UA	REV. U	

REV. U
NUMBER KL10-E-0
SIZE CODE D UA

CONSOLE PROCESSOR CABINET (CAB1)

I/O CABINET (CAB2)

CPU CABINET (CAB3)

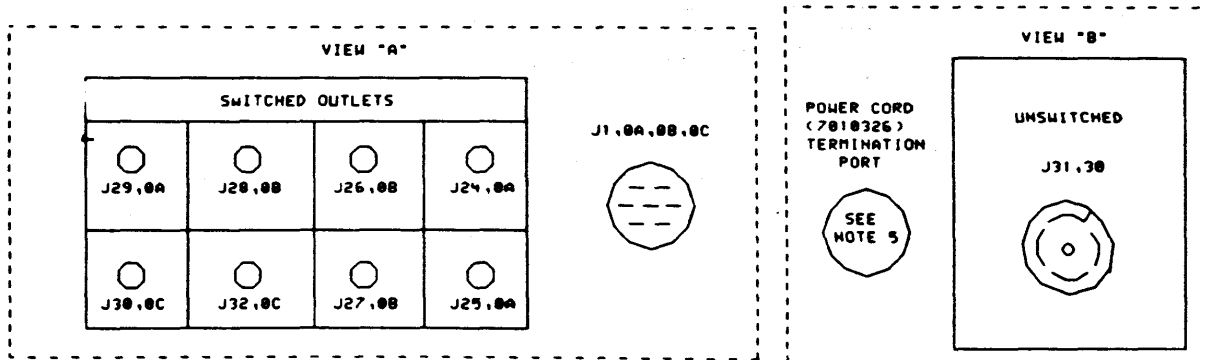


NOTES:

- COOLING FANS TO BE WIRED WITH RED AND WHITE 18 AWG TWISTED PAIR
- BELOW DESCRIBES OUTLETS FOR 863 POWER CONTROL:

	CURRENT CAPACITY	PHASE	SW
J1	30A	A,B,C	SW
J31	30A	A,B,C	UN-SW
J22	15A	C	UN-SW
J24	15A	A	SW
J25	15A	A	SW
J26	15A	B	SW
J27	15A	B	SW
J28	15A	B	SW
J29	15A	A	SW
J30	15A	C	SW
J23,J32	15A	C	SW
- GND STRAPS ARE TO BE USED TO PROVIDE A SOLID GROUND FOR ALL POWER SUPPLIES AND CABINETS
- GROUND ALL POWER SUPPLIES ON CABINET WITH GROUND STRAPS (SEE SHEETS 17 & 18) AND BOTTOM OF CAB DOORS TO BOTTOM OF CABINETS WITH ITEMS 238,71,72 & 131
- GROUND ALL THREE CABINETS TOGETHER AS SHOWN ON SHEET #20
- GRILLS (ITEM #5) AND LOGO (ITEM #3) TO BE GROUNDED TO CABINETS WITH ITEMS 238,71,72 & 131. FRONT DOORS (ITEM #6, QTY 4 & ITEM #232, QTY 2) WITH ITEMS #238,71,72 & 131. RIGHT REAR DOOR (ITEM #9, QTY 3) & LEFT REAR DOOR (ITEM #74, QTY 3) WITH ITEMS #238,71,72 & 131. END PANELS (ITEM #8, QTY 2) TO BE GROUNDED TO CABINET WITH ITEMS #238,71,72 & 131.
- FOR 60 HZ OPERATION "A" VERSION POWER SUPPLIES, POWER CONTROLS, FEMALE PUR. CONN. KIT(H874-A) AND 7014407 PUR. CORD ASSY MUST BE USED. FANS TO BE WIRED AS SHOWN ABOVE.
- FOR 50HZ OPERATION "B" VERSION POWER SUPPLIES, POWER CONTROLS, AND 7014409 POWER CORD ASSEMBLY MUST BE USED. COOLING ASSEMBLIES TO BE WIRED IN THE FOLLOWING FASHION:
 - CPU COOLING ASSEMBLY CONNECT
 - P1-1 TO J1-1 OF H760
 - P1-2 TO J1-7 OF H760
 - P1-3 TO J1-2 OF H760
 - P1-4 TO J1-8 OF H760
 - H761 COOLING. CONNECT
 - P1-1 TO J1-3 OF H760
 - P1-2 TO J1-9 OF H760
- POWER CORD IS INTERNALLY TERMINATED TO 863 POWER CONTROLLER LINE FILTER (F1). TERMINATE AS FOLLOWS:

POWER CORD TERMINAL	F1
1	A
2	B
3	C
4	GROUND STUD
5	N
- VIEWED FROM FRONT
- DRAWING NOT TO SCALE



KL10-EA,EB,EC,ED AC WIRING

THIS DRAWING AND SPECIFICATIONS HEREIN ARE THE PROPERTY OF DIGITAL EQUIPMENT CORPORATION AND SHALL NOT BE REPRODUCED OR COPIED OR USED IN WHOLE OR IN PART AS THE BASIS FOR THE MANUFACTURE OR SALE OF ITEMS WITHOUT WRITTEN PERMISSION. COPYRIGHT © 1979, DIGITAL EQUIPMENT CORPORATION.

REVISIONS
CHK CHANGE NO. REV

digital	DRN	DATE	ENG.	DATE	TITLE:
	CHK'D.	27-JUN-79			ARITHMETIC PROCESSOR
PS:(LUCIER,TRAIN)20K10E.DRW		27-JUN-79	14137	NEXT HIGHER ASSEMBLY:	SIZE CODE
FIRST USED ON OPTION/MODEL: KL10		B-DD-KL10-E		D UA	KL10-E-0
				NUMBER	REV.
					U

REV. U
SIZE CODE D UA
NUMBER KL10-E-0

HARNESS CONNECTION CHART			
ITEM NO.	HARNESS TERM		WITH
	POINT	CONNECTION	
25		P2	H761/J2
		P3	H761/J3
27			CPU #3/ST11
30			CPU #3/ST11
28			CPU #3/ST12
29			CPU #3/ST10
31			CPU #3/ST9
32			CPU #3/ST8
33			CPU #3/ST6
34			CPU #3/ST7
35			CPU #3/ST5
36			CPU #3/ST4
38			CPU #3/ST4
37			CPU #3/ST3
39			CPU #2/ST2
40			CPU #2/PT17-U
41			CPU #2/ST1
42			CPU #2/PT16-U
43			CPU #1/ST19
44			CPU #1/ST18
45			CPU #1/ST17
46			CPU #1/ST16
48			CPU #1/ST16
47			CPU #1/ST15
49			CPU #2/ST14
50			CPU #2/PT15-L
51			CPU #2/ST13
25	52		CPU #2/PT17-L
258	48	P1-9	DIA/DMA20/PT1-U
	47	P1-7	DIA/DMA20/PT2-U
	46	P11-7	DIA/DMA20/PT3-U
	45	P11-1	DIA/DMA20/PT4-U
	44	P2-9	DTE20/PT9-U
	43	P2-7	DTE20/PT8-U
	42	P3-9	DTE20/PT11-U
	41	P3-7	DTE20/PT12-U
	40	P4-9	DTE20/PT13-U
	39	P4-7	DTE20/PT4-U
	38	P5-9	RH20/PT15-U
	37	P5-7	RH20/PT16-U
	36	P6-9	RH20/PT17
	35	P6-7	RH20/PT18-U
	34	P7-9	RH20/PT19-U
	33	P7-7	RH20/PT20-U
	32	P8-9	RH20/PT21-U
	31	P8-7	RH20/PT22-U
	30	P9-9	RH20/PT23-U
	29	P9-7	RH20/PT24-U
	28	P12-9	RH20/PT26-U
	27	P12-11	RH20/PT25-U
	25	P10-7	CPU #1/PT5-L
	26	P10-9	CPU #1/PT6-L
	69	P13-1	J13 #15V, I/O #1 HARNESS
258	70	P13-2	J13 GND, I/O #1 HARNESS

HARNESS CONNECTION CHART			
ITEM NO.	HARNESS TERM		WITH
	POINT	CONNECTION	
181	63		RH20/PT25-U
	64		RH20/PT25-U
	65		RH20/PT24-U
	66		RH20/PT23-U
	67		RH20/PT22-U
	68		RH20/PT21-U
	69		RH20/PT20-U
	70		RH20/PT19-U
	71		RH20/PT18-U
	72		RH20/PT17-U
	73		RH20/PT16-U
	74		RH20/PT15-U
	75		DTE20/PT14-U
	76		DTE20/PT13-U
	77		DTE20/PT12-U
	78		DTE20/PT11-U
	79		DTE20/PT10-U
	80		DTE20/PT9-U
	81		#1 DMA20/PT8-U
	82		#1 DMA20/PT8-U
	83		#1 DMA20/PT7-U
	84		#1 DMA20/PT7-U
	85		#1 DMA20/PT6-U
	86		#1 DMA20/PT6-U
	87		#1 DMA20/PT5-U
	88		#1 DMA20/PT5-U
	89		#2 DMA20/PT4-U
	90		#2 DMA20/PT3-U
	91		#2 DMA20/PT2-U
	92		#2 DMA20/PT1-U
	93		#2 DMA20/PT1-L
	94		#2 DMA20/PT2-L
	95		#1 DMA20/PT6-L
	96		#1 DMA20/PT6-L
		P1	H7420 #1/H744(-5K) J1
		P2	H7420 #1/H744(-5J) J1
		P3	H7420 #1/H744(-5H) J1
		P4	H7420 #1/H744(-5F) J1
		P5	H7420 #2/H744(-5E) J1
		P6	H7420 #2/H744(-5D) J1
		P7	H7420 #2/H744(-5L) J1
		P8	H7420 #2/H744(-5C) J1
		P9	H7420 #3/H744(-5) J1
		P10	H7420 #3/H744(-5B) J1
		P11	H7420 #3/H744(-5A) J1
		P12	H7420 #3/H745(-15) J1
		P13	H7420 #3/H770(-15) J1
	49		P13 PIN 4, I/O SHORT HARNESS
181	50		P13 PIN 3, I/O SHORT HARNESS
258	71	J13 PIN 3	P13 PIN 3 OF ITEM #181
258	72	J13 PIN 4	P13 PIN 4 OF ITEM #181

HARNESS CONNECTION CHART			
ITEM NO.	HARNESS TERM		WITH
	POINT	CONNECTION	
181	97		#1 DMA20/PT5-L
	98		#1 DMA20/PT5-L
	99		#1 DMA20/PT8-L
	100		#1 DMA20/PT8-L
	101		#1 DMA20/PT7-L
	102		#1 DMA20/PT7-L
	103		DTE20/PT10-L
	104		DTE20/PT9-L
	105		DTE20/PT11-L
	106		DTE20/PT12-L
	107		DTE20/PT13-L
	108		DTE20/PT14-L
	109		RH20/PT15-L
	110		RH20/PT16-L
	111		RH20/PT17-L
	112		RH20/PT18-L
	113		RH20/PT19-L
	114		RH20/PT20-L
	115		RH20/PT21-L
	116		RH20/PT22-L
	117		RH20/PT23-L
	118		RH20/PT24-L
	119		RH20/PT25-L
181	120		RH20/PT26-L
182	129		CPU VME SWITCH J1-2) (ITEM #138)
	130		SEE NOTE 26
	61		#3 H761 J4-2
	62		#3 H761 J5-3
	131		CPU #1/PT6-L
	132		CPU #1/PT5-L
	133		CPU #1/CT1
	134		CPU #1/CT2
	135		CPU #1/PT5-U
182	136		CPU #1/PT6-U

NOTES:
 #1 JUMPER WHEN DMA/DIA IS NOT USED SEE NOTE 13.1 ON SHEET 27
 #2 SEE NOTE 13.2 ON SHEET 27
 #3 SEE NOTE 13.4 ON SHEET 27

"THE DRAWING AND SPECIFICATIONS, HEREIN, ARE THE PROPERTY OF DIGITAL EQUIPMENT CORPORATION AND SHALL NOT BE REPRODUCED OR COPIED OR USED IN WHOLE OR IN PART AS THE BASIS FOR THE MANUFACTURE OR SALE OF ITEMS WITHOUT WRITTEN PERMISSION.
 COPYRIGHT © 1977 DIGITAL EQUIPMENT CORPORATION"

REVISIONS	
CHK	CHANGE NO. REV

	DATE: 6/20/77	BY: J. M. Elroy	DATE: 12/22/77	TITLE: ARITHMETIC PROCESSOR
	DATE: 1/21/77	BY: J. M. Elroy	DATE: 1/21/77	REV: U
FIRST USED ON OPTION MODEL: KL10		NEXT NUMBER ASSEMBLY: B-DD-KL10-E		SIZE CODE: D UA KL10-E-0

HARNESS CONNECTION CHART			
ITEM NO.	HARNESS TERM		WITH
	POINT	CONNECTION	
24	1	H761/TB4 (-2D, GND)	
	2	H761/TB4 (-2D)	
	3	H761/TB4 (-2C, GND)	
	4	H761/TB4 (-2C)	
	5	H761/TB4 (-2B, GND)	
	6	H761/TB4 (-2B)	
	7	H761/TB4 (-2A)	
	8	H761/TB4 (-2, GND)	
	9	H761/TB2 (-5, 2E)	
	10	H761/TB2 (-5, 2E, GND)	
	11	H761/TB3 (-5, 2F)	
	12	H761/TB3 (-5, 2F, GND)	
	13	H761/TB3 (-5, 2H)	
	14	H761/TB3 (-5, 2H, GND)	
	15	H761/TB3 (-5, 2J)	
	16	H761/TB3 (-5, 2J, GND)	
	17	H761/TB2 (-5, 2A, GND)	
	18	H761/TB2 (-5, 2A)	
	19	H761/TB2 (-5, 23)	
	20	H761/TB2 (-5, 2B, GND)	
	21	H761/TB2 (-5, 2C)	
	22	H761/TB2 (-5, 2C, GND)	
	23	H761/TB2 (-5, 2D)	
	24	H761/TB2 (-5, 2D, GND)	
	25	H761/TB1 (-5, 2K)	
	26	H761/TB1 (-5, 2K, GND)	
	60	CPU 01/PT1-U	
	59	CPU 01/PT2-U	
	58	CPU 01/PT3-U	
	57	CPU 01/PT4-U	
	56	CPU 01/PT7-U	
	55	CPU 01/PT8-U	
	54	CPU 01/PT9-U	
	52	CPU 01/PT9-U	
	53	CPU 01/PT10-U	
	51	CPU 01/PT10-U	
	50	CPU 02/PT11-U	
	49	CPU 02/PT12-U	
	48	CPU 02/PT13-U	
	47	CPU 02/PT14-U	
	46	CPU 02/PT15-U	
	45	CPU 02/PT16-U	
	44	CPU 02/PT17-U	
	43	CPU 02/PT18-U	
	42	CPU 02/PT19-U	
	40	CPU 02/PT19-U	
	41	CPU 02/PT20-U	
	39	CPU 02/PT20-U	
	38	CPU 03/PT21-U	
	37	CPU 03/PT22-U	
	36	CPU 03/PT23-U	
	35	CPU 03/PT24-U	
	34	CPU 03/PT25-U	
	33	CPU 03/PT26-U	
24	32	CPU 03/PT2-U	

HARNESS CONNECTION CHART			
ITEM NO.	HARNESS TERM		WITH
	POINT	CONNECTION	
24	31	CPU 03/PT28-U	
	30	CPU 03/PT29-U	
	29	CPU 03/PT30-U	
	28	CPU 03/PT31-U	
24	27	CPU 03/PT32-U	
25	1	H761/TB4 (-2D, GND)	
	2	H761/TB4 (-2D)	
	3	H761/TB4 (-2C, GND)	
	4	H761/TB4 (-2C)	
	5	H761/TB4 (-2B, GND)	
	6	H761/TB4 (-2B)	
	7	H761/TB4 (-2A, GND)	
	8	H761/TB4 (-2A)	
	9	H761/TB2 (-5, 2E)	
	10	H761/TB2 (-5, 2E, GND)	
	11	H761/TB3 (-5, 2F)	
	12	H761/TB3 (-5, 2F, GND)	
	13	H761/TB3 (-5, 2H)	
	14	H761/TB3 (-5, 2H, GND)	
	15	H761/TB3 (-5, 2J)	
	16	H761/TB3 (-5, 2J, GND)	
	17	H761/TB2 (-5, 2A, GND)	
	18	H761/TB2 (-5, 2A)	
	19	H761/TB2 (-5, 2B)	
	20	H761/TB2 (-5, 2B, GND)	
	21	H761/TB2 (-5, 2C)	
	22	H761/TB2 (-5, 2C, GND)	
	23	H761/TB2 (-5, 2D)	
	24	H761/TB2 (-5, 2D, GND)	
	25	H761/TB1 (-5, 2K)	
	26	H761/TB32C (-5, 2K, GND)	
	60	CPU 03/PT32-L	
	59	CPU 03/PT31-L	
	58	CPU 03/PT30-L	
	57	CPU 03/PT29-L	
	56	CPU 03/PT28-L	
	55	CPU 03/PT27-L	
	54	CPU 03/PT26-L	
	53	CPU 03/PT25-L	
	52	CPU 03/PT24-L	
	51	CPU 03/PT23-L	
	50	CPU 03/PT22-L	
	49	CPU 03/PT21-L	
	48	CPU 03/PT20-L	
	46	CPU 03/PT20-L	
	47	CPU 02/PT19-L	
	45	CPU 02/PT19-L	
	44	CPU 02/PT18-L	
	43	CPU 02/PT17-L	
	42	CPU 02/PT16-L	
	41	CPU 02/PT15-L	
	40	CPU 02/PT14-L	
	39	CPU 02/PT13-L	
	38	CPU 02/PT12-L	
25	37	CPU 02/PT11-L	

HARNESS CONNECTION CHART			
ITEM NO.	HARNESS TERM		WITH
	POINT	CONNECTION	
25	36	CPU 01/PT10-L	
	34	CPU 01/PT10-L	
	35	CPU 01/PT9-L	
	33	CPU 01/PT9-L	
	32	CPU 01/PT8-L	
	31	CPU 01/PT7-L	
	30	CPU 01/PT4-L	
	29	CPU 01/PT3-L	
	28	CPU 01/PT2-L	
25	27	CPU 01/PT1-L	
257	1	P9-11	MB20 #1/PT10A-U
	2	P7-11	MB20 #1/PT7A-U
	3	P2-11	MB20 #1/PT16A-L
	4	P2-9	MB20 #1/PT15A-L
	5,6	P8-7, P7-9	MB20 #1/PT9A-L
	7	P8-3	MB20 #1/PT8A-L
	8,9	P10-7, P9-9	MB20 #1/PT12A-L
	10	P10-3	MB20 #1/PT11A-L
	11	P1-11	MB20 #1/PT3A-L
	12	P1-9	MB20 #1/PT2A-L
	13,14	P6-7, P5-9	MB20 #1/PT6A-L
	15	P6-3	MB20 #1/PT5A-L
	16	P5-11	MB20 #1/PT4A-U
	17	P13-11	MB20 #2/PT7B-U
	18	P15-11	MB20 #2/PT10B-U
	19	P4-11	MB20 #2/PT16B-L
	20	P4-9	MB20 #2/PT15B-L
	21,22	P14-7, P13-9	MB20 #2/PT9B-L
	23	P14-3	MB20 #2/PT8B-L
	24,25	P16-7, P15-9	MB20 #2/PT12B-L
	26	P16-3	MB20 #2/PT11B-L
	27	P3-11	MB20 #2/PT3B-L
	28	P3-9	MB20 #2/PT2B-L
	29,30	P12-7, P11-9	MB20 #2/PT6B-L
	31	P12-3	MB20 #2/PT5B-L
257	32	P11-11	MB20 #2/PT4B-U

THIS DRAWING AND SPECIFICATIONS, HEREIN, ARE THE PROPERTY OF DIGITAL EQUIPMENT CORPORATION AND SHALL NOT BE REPRODUCED OR COPIED OR USED IN WHOLE OR IN PART AS THE BASIS FOR THE MANUFACTURE OR SALE OF ANY ITEM WITHOUT WRITTEN PERMISSION. COPYRIGHT © 1977 DIGITAL EQUIPMENT CORPORATION

REVISIONS		
CHK	CHANGE NO.	REV

digital *D. Russell* DATE *7/28/77* BY *MLC* DATE *7/28/77* TITLE: **ARITHMETIC PROCESSOR**

DATE *7/28/77* BY *MLC* DATE *7/28/77* LOCATION: *34*

SIZE CODE: **D UA** NUMBER: **KL10-E-0** REV: **U**

FIRST USED ON OPTION/MODEL: **KL10** NEXT HIS EX ASSEMBLY: **B-00-KL10-E**

D

D

HARNESS CONNECTION CHART				HARNESS CONNECTION CHART				WIRE TABLE						REMARKS			
ITEM NO.	HARNESS TERM POINT CONNECTION	CONNECTION	WITH	ITEM NO.	HARNESS TERM POINT CONNECTION	CONNECTION	WITH	ITEM NO.	DESCRIPTION AWG COLOR	FROM CONNECTION	WITH	TO CONNECTION	WITH				
27	P1	863/J6		30	20	H742003 H770 J1-7		40	2	BLK		CAP BOX -12	84,124,198	H761-TB4-2-4	05	MOUNT CABLES TO H761 WITH ITEM 120,121 & 93	
27	P2	863/J5			19	H742003 H770 J1-8						CAP BOX -13		H761-TB3-2-4			
28	J1	MEM #1 DOOR SW			18	H742003 H745 J1-6						CAP BOX -14		H761-TB2-2-4			
28	P3	MEM #1 VANE SW (J1)			17	H742003 H745 J1-8		40		BLK		CAP BOX -15	84,124,198	H761-TB1-2-4			
27	P7	H761/J8			16	H742003 H744 J1-6		92		BLU		CAP BOX -1	87,124,198	H761-PB-2			SEE VIEW W-W
28	J2	CPU DOOR SW			15	H742003 H744 J1-7						CAP BOX -2		H761-PB-2			
28	P4	CPU VANE SW (J1)			14	H742003 H744 J1-6						CAP BOX -3		H761-PB-1			
27	P5	REF MEM #2 VAN SW (J1)			13	H742003 H744 J1-7		92	2	BLU		CAP BOX -4	87,124,198	H761-PB-1	05		SEE VIEW W-W
27	J3	REF MEM #2 DOOR SW *			12	H742003 H744 J1-6		94	18 TWP	LHT		H760/P1-4 Δ	143,130	H761/P1-2	130,117		
27	J4	I/O DOOR SW			11	H742003 H744 J1-7				RED		H760/P1-3 Δ	143,130	H761/P1-1	130,117		
27	P6	I/O VANE SW (J1)				H742003 J2	P2			LHT		H742001/J2-5	144 & 130	CAB03/P1-1	130	USE ITEM #104 FOR CAB #3/P1	
28	65	SEE NOTE 26		30		H742003 J3	P3			RED		H742001/J2-6		CAB03/P1-2	130		
28	66	SEE NOTE 26		29	9	H742002 H744 J1-6				LHT		H742003/J2-5		CAB02/P1-1	130	USE ITEM #104 FOR CAB #2/P1	
28	68	CPU #1/CT2			10	H742002 H744 J1-7				RED		H742003/J2-6	144 & 130	CAB02/P1-2	130		
28	79	CPU #1/CT1			11	H742002 H744 J1-6				LHT		CAB2/F1-1	170,105				
28	78	CPU #1/CT4			12	H742002 H744 J1-7				LHT				CAB2/F2-1	170,105		
28	77	CPU #1/CT3			13	H742002 H744 J1-6				LHT		CAB2/F3-1	170,105				
67	11/40-81873 (J1)	SU PANEL (ITEM #10) J1			14	H742002 H744 J1-7				LHT		CAB2/J1-1	144			USE ITEM #103 FOR CAB #2/J1	
68	DTE20/J1	SU PANEL (ITEM #10) J2			15	H742002 H744 J1-6				RED		CAB2/F1-2	170,105				
68		11/40 DRAWER SU-3			16	H742002 H744 J1-7				RED		CAB2/F3-2	170,105				
73	863/J13	SU PANEL (ITEM #10) J5				H742002 J2	P2			RED				CAB2/F4-2			
46	863/J7	SU PANEL (ITEM #10) J3				H742002 J3	P3			RED		CAB2/J1-2	144				
222 OR 223	5	863 FL1-N			9	H742001 H744 J1-6				LHT		CAB3/F1-1	170,105				
	4	863 FRAM GND-2			10	H742001 H744 J1-7				LHT		CAB3/J1-1	144				
	3	863 FL1-C			11	H742001 H744 J1-6				RED		CAB3/F1-2	170,105			USE ITEM #103 FOR CAB #3/J1	
	2	863 FL1-B			12	H742001 H744 J1-7		94	18 TWP	RED		CAB3/J1-2	144		170,105		
222 OR 223	1	863 FL1-A			13	H742001 H744 J1-6						CAB02/J1					
13 OR 14	5	CAP BOX -5			14	H742001 H744 J1-7						CAB03/J1					
	6	CAP BOX -6			15	H742001 H744 J1-6		94	18 TWP	LHT		H760/P1-1 Δ	143,130	SEE DETAIL U	203 & 130		
	7	CAP BOX -7			16	H742001 H744 J1-7				RED		H760/P1-2 Δ	143,130	SEE DETAIL U	203 & 130		
	8	CAP BOX -8					P2			LHT		H760/P1-5 Δ	143,130	SEE DETAIL U	203 & 130		
	9	CAP BOX -9			29		P3			RED		H760/P1-6 Δ	143,130	SEE DETAIL U	203 & 130		
13 OR 14	11	CAP BOX -10								LHT		H742002/P2-5	130	SEE DETAIL V	117		
		CAP BOX -11						94	18 TWP	RED		H742002/P2-6	130	SEE DETAIL V	117		
27	P5	MEM #1 VAN SW *						95	14 TWT	BLK		H760/YEL (RTN)	147	H761/YEL (RTN)	147		
27	J3	MEM #1 DOOR SW *						95	14 TWT	GRN		H760/GRN (-5V)	147	H761/GRN (-5V)	147		
								95	14 TWT	ORN		H760/ORN (+5V)	147	H761/ORN (+5V)	147		
								94	18 TWP	WHT		H7420 #4 J2-5	130	MEM #1 COOLING ASSY J1-1A	117		
										RED		H7420 #4 J2-6		MEM #1 COOLING ASSY J1-2A			
										WHT		H7420 #6 J2-5		MEM #2 COOLING ASSY J1-1A			
								94	18 TWP	RED		H7420 #6 J2-6	130	MEM #2 COOLING ASSY J1-2A	117		

Δ WHEN POINT TO POINT WIRING IS COMPLETE CONNECT H760/P1 TO H760/J1
 * KLI0-EA, EB, EC, ED, ONLY
 ** KLI0-EE, EF, EH, EJ, ONLY

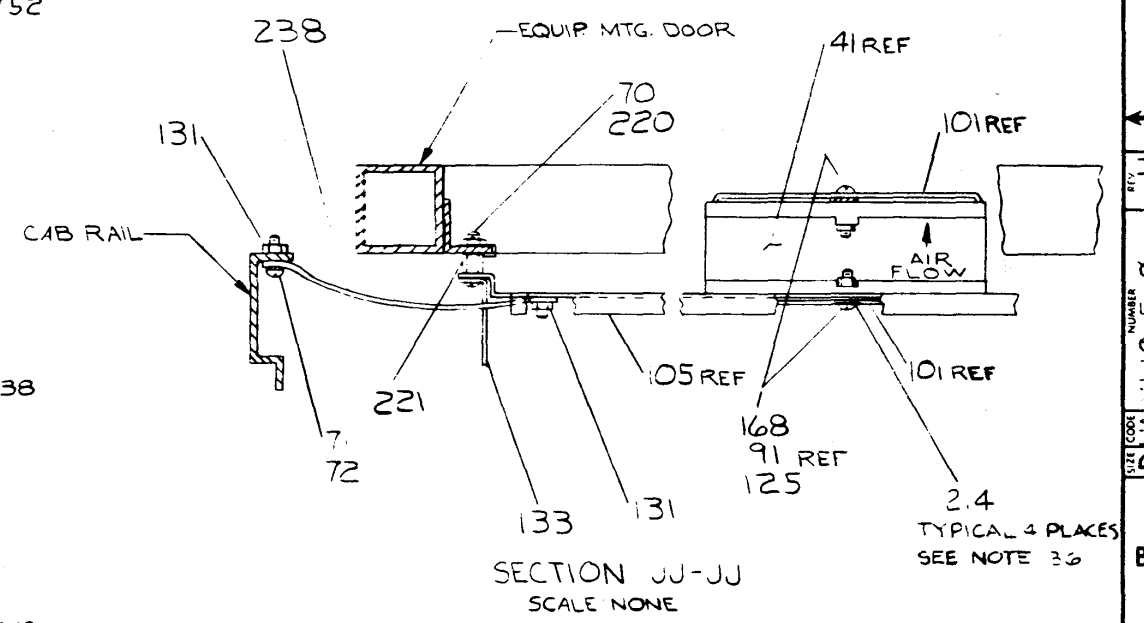
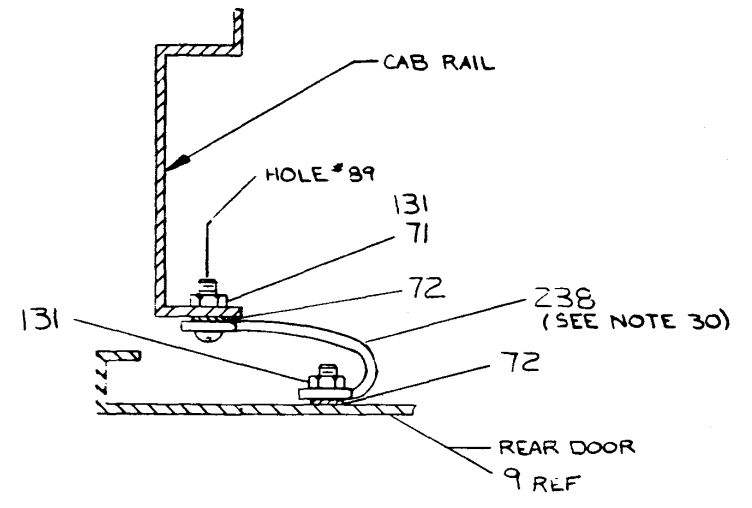
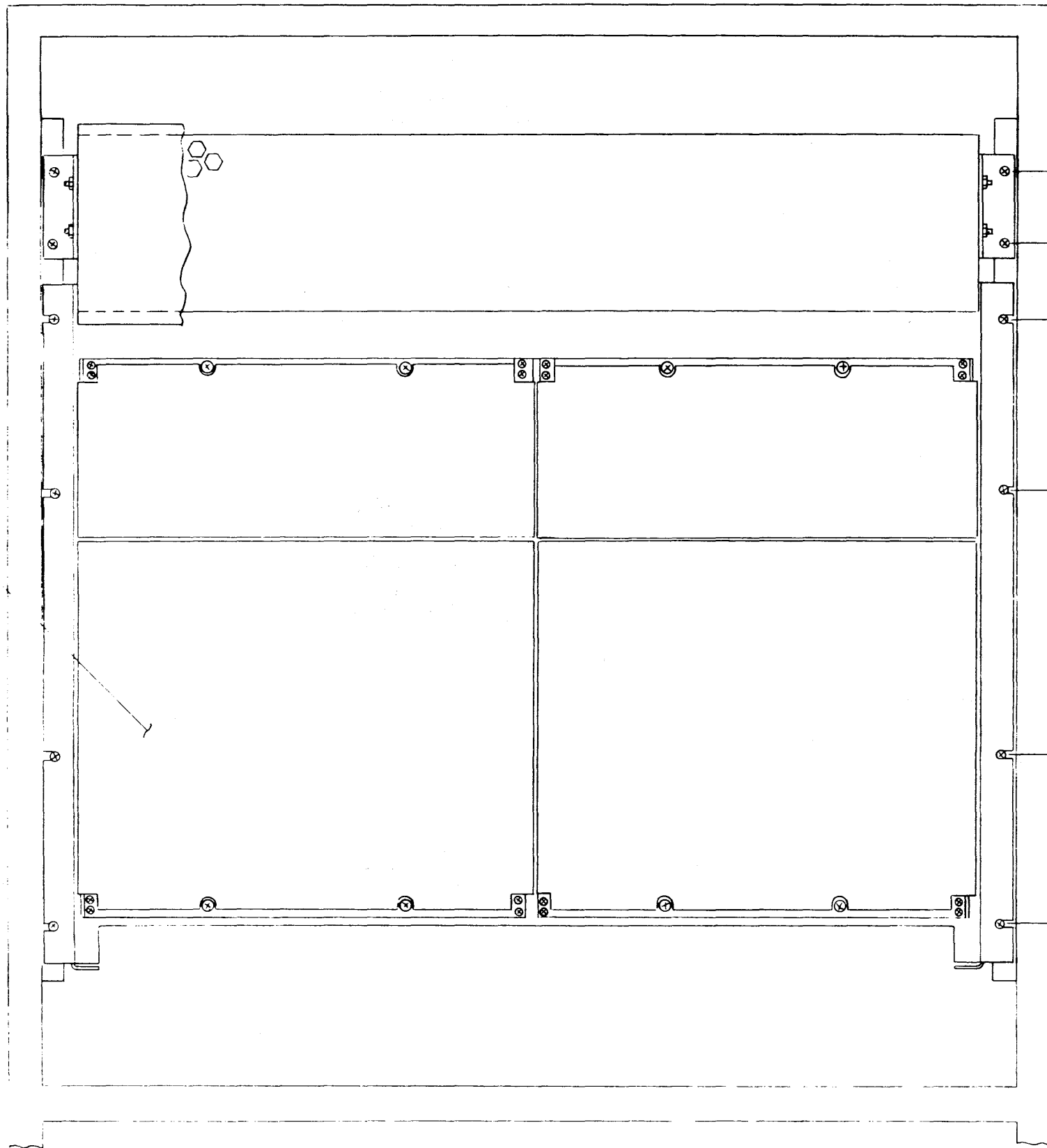
THIS DRAWING AND SPECIFICATIONS, HEREIN, ARE THE PROPERTY OF DIGITAL EQUIPMENT CORPORATION AND SHALL NOT BE REPRODUCED OR COPIED OR USED IN WHOLE OR IN PART AS THE BASIS FOR THE MANUFACTURE OR SALE OF ITEMS WITHOUT WRITTEN PERMISSION.
 COPYRIGHT © 1977 DIGITAL EQUIPMENT CORPORATION

REVISIONS		
CHK	CHANGE NO.	REV

digital M. Roscelli DATE 10/27/77 BY M. Choy DATE 12/28/77
 TITLE: ARITHMETIC PROCESSOR
 FIRST USED ON OPTION/MODEL: KLI0 B-DD-KLI0-E
 SIZE CODE: D UA KLI0-E-0
 NUMBER: 117
 REV: U

THIS DRAWING AND SPECIFICATIONS HEREIN ARE THE PROPERTY OF DIGITAL EQUIPMENT CORPORATION AND SHALL NOT BE REPRODUCED OR COPIED OR USED IN WHOLE OR IN PART AS THE BASIS FOR THE MANUFACTURE OR SALE OF ITEMS WITHOUT WRITTEN PERMISSION. COPYRIGHT © 1977 DIGITAL EQUIPMENT CORPORATION

REAR VIEW I/O CAB
 SCALE: 1/2
 (FOR KLIØ-EA, EB, EC & ED VARIATIONS ONLY)



OR 211 REF
 OR 210 REF
 (SEE NOTE 37)
 OPTIONAL FOR
 MEMORY #2

REVISIONS		
CHK	CHANGE NO.	REV.

TITLE	SIZE CODE	NUMBER	REV.
ARITHMETIC PROCESSOR	DUA	KLIØ-E-Ø	U
SCALE	SHEET	OF	
	36	39	

REV. U
 NUMBER
 DUA KLIØ-E-Ø

8

7

6

5

4

3

2

0-3-0174
REV. 1
DATE 11/27/67

1

CABLE CONNECTION CHART

ITEM NO.	FROM		TO		REMARKS
	UNIT	LOCATION	UNIT	LOCATION	
42	11/40/RH11-AB	CD04	CABLE CONVERSION PLATE ASSY (ITEM #22)	SLOT A	
42	11/40/RH11-AB	CD05	CABLE CONVERSION PLATE ASSY (ITEM #22)	SLOT B	
42	11/40/RH11-AB	CD06	CABLE CONVERSION PLATE ASSY (ITEM #22)	SLOT C	
43	11/40/DD11-B	AB04	RHEO/DTE20 LOGIC ASSY (ITEM # 20)	HJ05	
43	PERPH/DB11-A	AB01	RHEO/DTE20 LOGIC ASSY (ITEM # 20)	HJ06	
44	CPU LOGIC ASSY (ITEM #21)	AB01	RHEO DTE20 LOGIC ASSY (ITEM #20)	AB??	
45	CPU LOGIC ASSY (ITEM #21)	CD01	RHEO DTE20 LOGIC ASSY (ITEM #20)	CD??	
45	CPU LOGIC ASSY (ITEM #21)	EF01	RHEO DTE20 LOGIC ASSY (ITEM #20)	EF??	
REF	RHEO DTE20 LOGIC ASSY (ITEM #20)	AB01	DM20 LOGIC ASSY (ITEM # 22)	AB16	CONN ASSY INTERNAL BUS H920 (REF ONLY)
REF	RHEO DTE20 LOGIC ASSY (ITEM #20)	CD01	DM20 LOGIC ASSY (ITEM # 22)	CD16	CONN ASSY INTERNAL BUS H920 (REF ONLY)
REF	CPU LOGIC ASSY (ITEM #21)	AB02	DM-20 LOGIC ASSY (ITEM # 22)	AB01	CONN ASSY SBUS BC20C-6C (REF ONLY)
REF	CPU LOGIC ASSY (ITEM #21)	CD02	DM20 LOGIC ASSY (ITEM # 22)	CD02	CONN ASSY SBUS BC20C-6C (REF ONLY)
157	063	J0	063	J2	
149	063	J3	061	J3	
47	CABLE CONVERSION PLATE ASSY (ITEM #22)	J1	11/40	CONN (7000360)	
32 OR 34	H7420 #1	---	063	J30	
	H7420 #2	---	063	J28	
	H7420 #3	---	063	J29	
32 OR 34	H7420 #4	---	063	J32	
32 OR 34	H7420 #5	---	063	J25	
02	H760	---	063	J1	
---	REMOTE TURN-ON ASSY (ITEM #169)	---	063	J26	
32 OR 34	H7131 #1	---	863	J26	FOR KL10- EE, EF, EH & EJ VARIATIONS ONLY
250	ASSY, THERMAL SWITCH (ITEM 250)	---	HARNESS, FAULT INDICATOR (ITEM 27)	J5	

*THIS DRAWING AND SPECIFICATIONS, HEREIN, ARE THE PROPERTY OF DIGITAL EQUIPMENT CORPORATION AND SHALL NOT BE REPRODUCED OR COPIED OR USED IN WHOLE OR IN PART AS THE BASIS FOR THE MANUFACTURE OR SALE OF ITEMS WITHOUT WRITTEN PERMISSION.
COPYRIGHT © 1977 DIGITAL EQUIPMENT CORPORATION

REVISIONS		
CHK	CHANGE NO.	REV.



DATE 11/27/67
BY M. Pasarelli
DATE 11/27/67
BY M. Pasarelli
DATE 11/27/67
BY M. Pasarelli
DATE 11/27/67
BY M. Pasarelli

TITLE: ARITHMETIC PROCESSOR
FIRST USED ON OPTION MODEL: KL10
NEXT HIGHER ASSEMBLY: B-DD-KL10-E
SIZE CODE NUMBER REV. D UA KL10-E-0 U

REV. U
DRAWING NUMBER KL10-E-0
SIZE CODE D UA
B A

8

7

6

5

4

3

2

1

MK

8
 0-3-017
 DUA KL10-E-0
 1981 DIGITAL EQUIPMENT CORPORATION

0-3-017
 DUA KL10-E-0

6

5

4

3

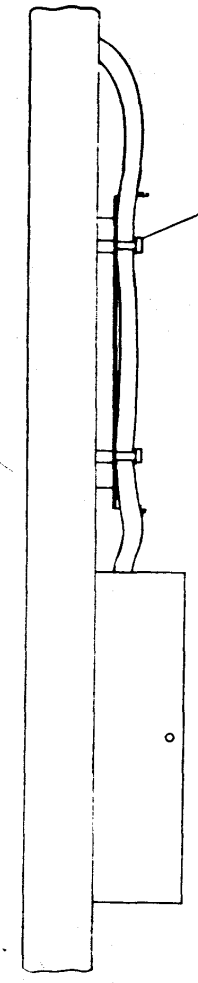
2

1

D
C
B
A

D
C
B
A

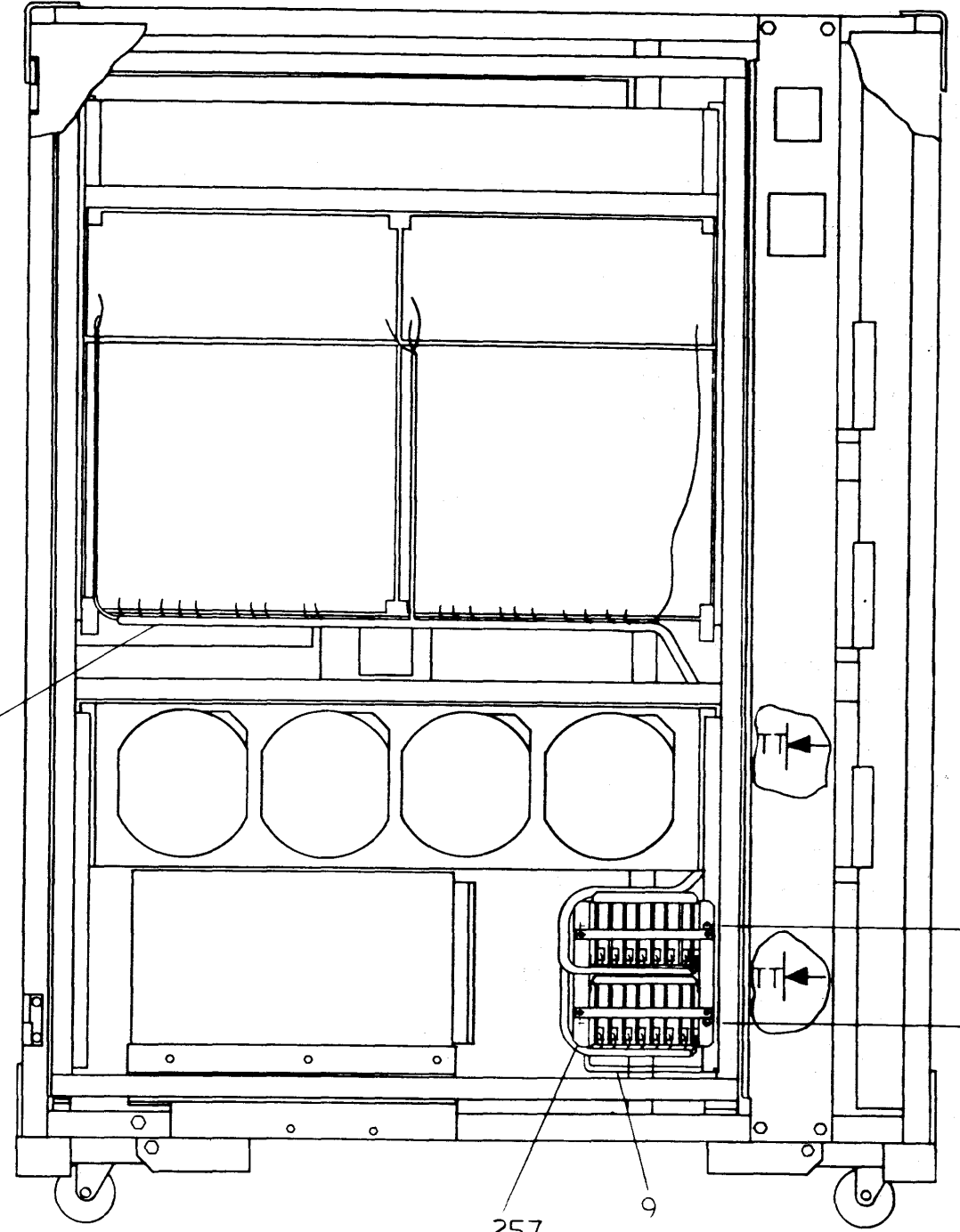
EQUIP MTG DOOR



TIE WRAPS (PART OF ITEM 257)
 USE FAN MTG HARDWARE

VIEW TT-TT
 SCALE NONE

SEE HARNESS CONNECTION CHART



HOLE #14

HOLE #5

257

9

I/O CAB-REAR VIEW

REVISION HISTORY		
DATE	ECO NUMBER	REV

TITLE
 ARITHMETIC PROCESSOR

DOCUMENT NUMBER		
SIZE CODE	NUMBER	REV
DUA	KL10-E-0	U
SCALE		SHEET 38 OF 39

DWG 137A

8

7

6

5

4

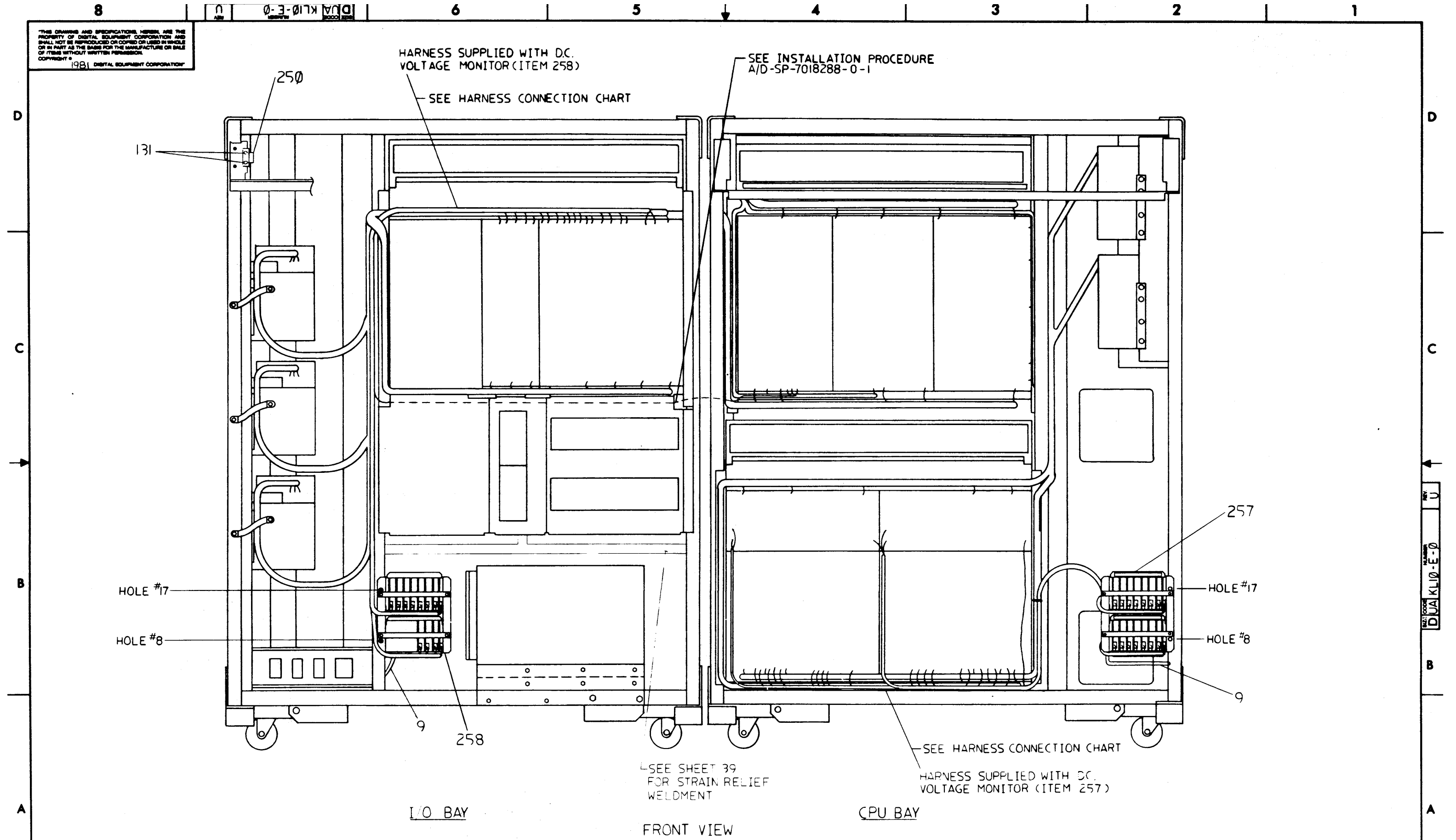
3

2

1

1/12

THIS DRAWING AND SPECIFICATIONS HEREIN ARE THE PROPERTY OF DIGITAL EQUIPMENT CORPORATION AND SHALL NOT BE REPRODUCED OR COPIED OR USED IN WHOLE OR IN PART AS THE BASIS FOR THE MANUFACTURE OR SALE OF ITEMS WITHOUT WRITTEN PERMISSION.
 COPYRIGHT © 1981 DIGITAL EQUIPMENT CORPORATION



HARNESS SUPPLIED WITH DC. VOLTAGE MONITOR (ITEM 258)

SEE HARNESS CONNECTION CHART

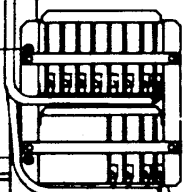
SEE INSTALLATION PROCEDURE A/D-SP-7018288-0-1

131

250

HOLE #17

HOLE #8



9

258

I/O BAY

SEE SHEET 39 FOR STRAIN RELIEF WELDMENT

FRONT VIEW

9

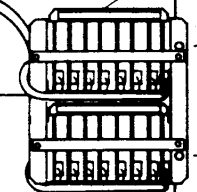
SEE HARNESS CONNECTION CHART

HARNESS SUPPLIED WITH DC. VOLTAGE MONITOR (ITEM 257)

257

HOLE #17

HOLE #8



9

CPU BAY

REVISION HISTORY		
DATE	ECO NUMBER	REV.

TITLE
 ARITHMETIC PROCESSOR

DOCUMENT NUMBER		
SIZE CODE	NUMBER	REV
DUA KL10-E-0		U
SCALE	SHEET 37	OF 39

1 MR

LINE	ITEM	DOCUMENT NUMBER	PART NUMBER	DESCRIPTION	QUANTITY PER VARIATION															
					EA	EB	EC	ED	EE	EF	EH	EJ	EK	EL	EM	EN				
1	1	E-AD-7011293-0-0	7011293-02	CABINET	1	1	1	1	1	1	1	1	1	1	1	1	1			
2	2	E-AD-7011293-0-0	7011293-03	CABINET	1	1	1	1	1	1	1	1	1	1	1	1	1			
3	3	D-IA-7415202-0-0	7415202-00	LOGO PANEL	1	1	-	-	1	1	-	-	1	1	-	-				
4	4	A-PL-KL10-E-SH		KL10-E (SHIP LIST)	REF	REF	REF	REF	REF	REF	REF	REF	REF	REF	REF	REF				
5	5	D-MD-7414725-0-0	7414725-00	PANEL GRILLE	2	2	-	-	2	2	-	-	2	2	-	-				
6	6	E-IA-7011580-0-0	7011580-00	WELDMENT	4	4	4	4	4	4	4	4	4	4	4	4				
7	7	E-IA-7011552-0-0	7011552-02	COVER TOP (TERRACOTTA)	3	3	-	-	3	3	-	-	3	3	-	-				
8	8	E-IA-7011509-0-0	7011509-00	END PANEL ASSY HIBOY	2	2	2	2	2	2	2	2	2	2	2	2				
9	9	E-IA-7012023-0-0	7012023-00	REAR DOOR LEFT	3	3	3	3	3	3	3	3	3	3	3	3				
10	10	E-AD-7011639-0-0	7011639-00	ASSY SWITCH PANEL [2040]	1	1	1	1	1	1	1	1	1	1	1	1				
11	11	E-AD-7011418-0-0	7011418-01	2010 CONSOLE PROCESSOR	1	-	1	-	1	-	1	-	1	-	1	-				
12	12	E-AD-7011418-0-0	7011418-02	2010 CONSOLE PROCESSOR	-	1	-	1	-	1	-	1	-	1	-	1				
13	13	E-UA-H760-C-0	0H760-C	RAW POWER SUPPLY 60HZ	1	-	1	-	1	-	1	-	1	-	1	-				
14	14	E-UA-H760-D-0	0H760-D	RAW POWER SUPPLY 50HZ	-	1	-	1	-	1	-	1	-	1	-	1				
15	15	E-UA-H761-0-0	0H761-00	REG KL10 SUPPLY	1	1	1	1	1	1	1	1	1	1	1	1				
16	16	E-UA-H7420-A-0	H7420-A	POW SUPPLY HI POW H742-A 115V	3	-	3	-	3	-	3	-	3	-	3	-				
17	17	E-UA-H7420-B-0	H7420-B	POW SUPPLY HI POW H742-B 230V	3	3	-	3	-	3	-	3	-	3	-	3				
18	18	E-UA-H744-0-0	0H744-00	POWER REGULATOR	11	11	11	11	11	11	11	11	11	11	11	11				
19	19	E-UA-H770-0-0	0H770-00	+15V 10A REGULATOR FOR H742	1	1	1	1	1	1	1	1	1	1	1	1				
20	20	E-AD-7012278-0-0	7012278-00	RH20/DTE20 LOGIC ASSY	1	1	1	1	1	1	1	1	1	1	1	1				
21	21	E-UA-KL10-PV-0	OKL10-PV	EXTENDED ADDRESSING KL10-PA	1	1	1	1	1	1	1	1	1	1	1	1				
22	22	E-IA-7010700-0-0	7010700-00	LOGIC I/O ADAPTERS	REF	REF	REF	REF	REF	REF	REF	REF	REF	REF	REF	REF				
23	23		9009110-00	TERM,TAB .365TAB 2PDS	16	16	16	16	16	16	16	16	16	16	16	16				
24	24	J-IA-7009419-0-0	7009419-00	HARNESS DC (70-9418) KL10	1	1	1	1	1	1	1	1	1	1	1	1				
25	25	J-IA-7010855-0-0	7010855-00	HARNESS DC CPU KL10	1	1	1	1	1	1	1	1	1	1	1	1				
26	26	J-IA-7009427-0-0	7009427-00	HARNESS SENSE (70-9418) KL10	1	1	1	1	1	1	1	1	1	1	1	1				
27	27	J-IA-7011808-0-0	7011808-00	HARNESS FAULT INDICATOR	1	1	1	1	1	1	1	1	1	1	1	1				
28	28	J-IA-7011808-0-0	7011808-01	HARNESS, FAULT INDICATOR	1	1	1	1	1	1	1	1	1	1	1	1				
29	29	D-IA-7010877-0-0	7010877-00	HARNESS AC WIRING NO. 3	2	2	2	2	2	2	2	2	2	2	2	2				
30	30	D-IA-7010805-0-0	7010805-00	A/C WIRING HARNESS ASSY 1	1	1	1	1	1	1	1	1	1	1	1	1				

REVISION HISTORY			BASIC PART NO: OKL10			DRN: M. PASCARELLI			DATE: 22-DEC-76			DIGITAL			
ENG	ECO NUMBER	REV	SECTION A OF A	CHK'D: G. FLANDRES			DATE: 12-APR-77			TITLE			PARTS LIST		
JT	KL10-E-MR015	IN	SECTION. VARIATION INDEX	DES.ENG.: J.B. MCCELROY			DATE: 12-APR-77			ARITHMETIC PROCESSOR					
IBW	KL10-E-MR016	IP	[A] EA,EB,EC,ED,EE,EF, EH,EJ,EK,EL,EM,EN	RESP.ENG.: J.D. ALLEN			DATE: 12-APR-77			DOCUMENT NUMBER					
JT	KL10E-MR017	IR	[B]	MFG.ENG.: MATHEW NOLAND			DATE: 12-APR-77			SIZE/ CODE/ NUMBER			REV		
IBW	KL10E-MR020	IT	[C]	ASSEMBLY NUMBER:			TOP DOCUMENT NUMBER:			FILE NAME:			EDIT #		
JC	KL10-E-MR021	IU	[D]	ID-UA-KL10-E-0			IB-DD-KL10-E			Z24570.PLS			25		

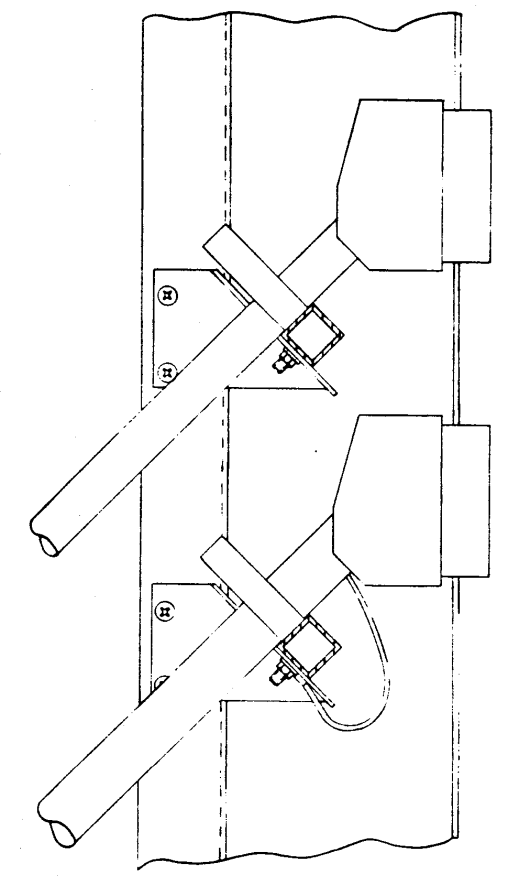
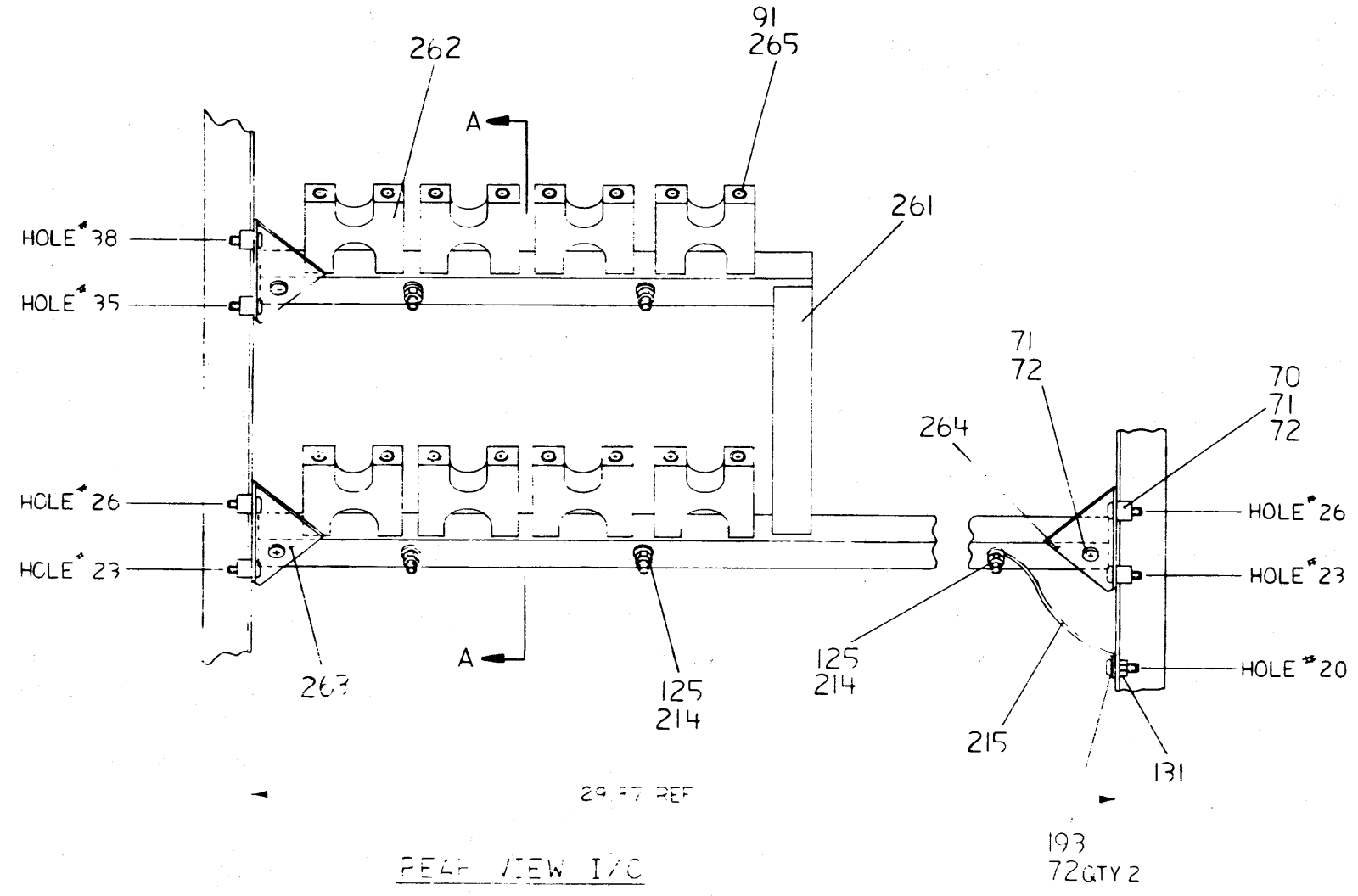
"THIS DRAWING AND SPECIFICATIONS HEREIN, ARE THE PROPERTY OF DIGITAL EQUIPMENT CORPORATION AND SHALL NOT BE REPRODUCED OR COPIED OR USED IN WHOLE OR IN PART AS THE BASIS FOR THE MANUFACTURE OR SALE OF ITEMS WITHOUT WRITTEN PERMISSION. COPYRIGHT (C) 1983. DIGITAL EQUIPMENT CORPORATION"

THIS DRAWING AND SPECIFICATIONS HEREBY ARE THE PROPERTY OF DIGITAL EQUIPMENT CORPORATION AND SHALL NOT BE REPRODUCED OR COPIED OR USED IN WHOLE OR IN PART AS THE BASIS FOR THE MANUFACTURE OR SALE OF ITEMS WITHOUT WRITTEN PERMISSION.
 1981 DIGITAL EQUIPMENT CORPORATION

8 6 5 4 3 2 1

D
C
B
A

D
C
B
A



REF VIEW I/C

VIEW A-A

REVISION HISTORY		
DATE	ECO NUMBER	REV

SIZE CODE	DOCUMENT NUMBER	REV
D	KL10-E-0	U
SCALE	SHEET 39 OF 7	

8 7 6 5 4 3 2 1

LINE	ITEM	DOCUMENT NUMBER	PART NUMBER	DESCRIPTION	QUANTITY PER VARIATION																					
					EA	EB	EC	ED	EE	EF	EH	EJ	EK	EL	EM	EN										
31	31		9107673-09	PWR CORD,TERM 3-14 SJT	115	2	-	2	-	2	-	2	-	2	-	2	-	2	-	2	-	2	-	2	-	
32	32		9107673-03	PWR CORD,TERM 3-14 SJT	115	3	-	3	-	3	-	3	-	3	-	3	-	3	-	3	-	3	-	3	-	
33	33	D-IA-7011432-0-0	7011432-03	POWER CORD		2	2	-	2	-	2	-	2	-	2	-	2	-	2	-	2	-	2	-	2	-
34	34	D-IA-7011432-0-0	7011432-01	POWER CORD		3	3	-	3	-	3	-	3	-	3	-	3	-	3	-	3	-	3	-	3	-
35	35	E-MD-7412285-0-0	7412285-00	SHIELD EMI (KL10)		1	1	1	1	1	1	1	1	1	1	1	1	1	1	1	1	1	1	1	1	1
36	36	A-PL-DTE20-0-0	DTE20-00	PDP11 TO KL10 INTERFACE		1	1	1	1	1	1	1	1	1	1	1	1	1	1	1	1	1	1	1	1	1
37	37	A-PL-RH20-0-0	ORH20-00	MASS BUS CONTROLLER		2	2	2	2	2	2	2	2	2	2	2	2	2	2	2	2	2	2	2	2	2
38	38	SEE NOTE 1	OKL10-PB	KL10 BUFFER MOD SET		1	1	1	1	1	1	1	1	1	1	1	1	1	1	1	1	1	1	1	1	1
39	39	SEE NOTE 1	OKL10-PC	KL10 CHANNEL SET		1	1	1	1	1	1	1	1	1	1	1	1	1	1	1	1	1	1	1	1	1
40	40		9107764-00	WIRE, 02AWG(665/30)IPVC 600V1		A/R	A/R	A/R	A/R	A/R	A/R	A/R	A/R	A/R	A/R	A/R	A/R	A/R	A/R	A/R	A/R	A/R	A/R	A/R	A/R	A/R
41	41		1211714-00	FAN,TUBE AXIAL 7.0" 258CFM 115V		4	4	4	4	4	4	4	4	4	4	4	4	4	4	4	4	4	4	4	4	4
42	42	D-UA-BC06R-0-0	BC06R-12	CABLE I/O 12FT (MJ11)		3	3	3	3	3	3	3	3	3	3	3	3	3	3	3	3	3	3	3	3	3
43	43	D-UA-BC11A-0-0	BC11A-17	CABLE		1	1	1	1	1	1	1	1	1	1	1	1	1	1	1	1	1	1	1	1	1
44	44	D-UA-BC11A-0-0	BC11A-02	CABLE ASSY PDP-11 M919-M929		1	1	1	1	1	1	1	1	1	1	1	1	1	1	1	1	1	1	1	1	1
45	45	D-UA-BC20C-0-0	BC20C-1C	CABLE CONN ASSY 15 INCH		2	2	2	2	2	2	2	2	2	2	2	2	2	2	2	2	2	2	2	2	2
46	46	D-IA-7008288-0-0	7008288-8F	CABLE ASSY PDP-11		1	1	1	1	1	1	1	1	1	1	1	1	1	1	1	1	1	1	1	1	1
47	47	D-UA-BC05F-0-0	BC05F-15	CABLE, INTERFACE LA30-S		1	1	1	1	1	1	1	1	1	1	1	1	1	1	1	1	1	1	1	1	1
48	48	D-MD-7413892-0-0	7413892-00	PLATE PROTECTION		1	1	1	1	1	1	1	1	1	1	1	1	1	1	1	1	1	1	1	1	1
49	49	D-UA-BC11A-0-0	BC11A-13	M919 TO M929 FLAT MYLAR EXTERNAL		1	1	1	1	1	1	1	1	1	1	1	1	1	1	1	1	1	1	1	1	1
50	50	D-IA-7012210-0-0	7012210-00	*** THIS ITEM IS NOT USED ***		-	-	-	-	-	-	-	-	-	-	-	-	-	-	-	-	-	-	-	-	-
51	51	D-IA-7012275-0-0	7012275-00	*** THIS ITEM IS NOT USED ***		-	-	-	-	-	-	-	-	-	-	-	-	-	-	-	-	-	-	-	-	-
52	52	D-AD-7010311-0-0	7010311-00	PLATE CABLE CONVERT ASSY		1	1	1	1	1	1	1	1	1	1	1	1	1	1	1	1	1	1	1	1	1
53	53	E-UA-863-D-0	00863-D	863-A W 3 PHASE UNSWITCHED OUTLE		1	-	1	-	1	-	1	-	1	-	1	-	1	-	1	-	1	-	1	-	1
54	54	E-UA-863-E-0	00863-E	863-B W 3 PHASE UNSWITCHED OUTLE		1	1	-	1	-	1	-	1	-	1	-	1	-	1	-	1	-	1	-	1	-
55	55	E-AD-7009878-0-0	7009878-01	CAP BOX ASSY		1	1	1	1	1	1	1	1	1	1	1	1	1	1	1	1	1	1	1	1	1
56	56	D-MD-7415000-0-0	7415000-00	STIFFENER CAB		1	1	1	1	1	1	1	1	1	1	1	1	1	1	1	1	1	1	1	1	1
57	57	D-MD-7414616-0-0	7414616-00	STIFFENER CAB		1	1	1	1	1	1	1	1	1	1	1	1	1	1	1	1	1	1	1	1	1
58	58	D-MD-7414527-0-0	7414527-00	MTG PLATE 1 POWER SUPPLY		1	1	1	1	1	1	1	1	1	1	1	1	1	1	1	1	1	1	1	1	1
59	59	D-MD-7414528-0-0	7414528-00	MTG PLATE 2 POWER SUPPLY		1	1	1	1	1	1	1	1	1	1	1	1	1	1	1	1	1	1	1	1	1
60	60	D-IA-7412379-0-0	7412379-00	CONN PNL (80-RJP04)		1	1	1	1	1	1	1	1	1	1	1	1	1	1	1	1	1	1	1	1	1
61	61	D-AD-7009861-0-0	7009861-00	RECEPT HOUSING ASSY-RP04		2	2	2	2	2	2	2	2	2	2	2	2	2	2	2	2	2	2	2	2	2
62	62		9006390-06	SCREW,MACH FILL SLOT	4-	32	32	32	32	32	32	32	32	32	32	32	32	32	32	32	32	32	32	32	32	32
63	63		9006231-09	SCREW,MACH HEX PLN	10-	2	2	2	2	2	2	2	2	2	2	2	2	2	2	2	2	2	2	2	2	2
64	64	C-MD-7414386-0-0	7414386-00	BRACKET PANEL		4	4	4	4	4	4	4	4	4	4	4	4	4	4	4	4	4	4	4	4	4
65	65	C-IA-7414771-0-0	7414771-00	STRAIN RELIEF		5	5	5	5	5	5	5	5	5	5	5	5	5	5	5	5	5	5	5	5	5
66	66	C-IA-7414772-0-0	7414772-00	CLAMP STRAIN RELIEF		5	5	5	5	5	5	5	5	5	5	5	5	5	5	5	5	5	5	5	5	5
67	67	C-IA-7011025-0-0	7011025-00	MAINT CABLE ASSY		1	1	1	1	1	1	1	1	1	1	1	1	1	1	1	1	1	1	1	1	1
68	68	C-IA-7011831-0-0	7011831-00	CABLE ASSY [KL10-C]		1	1	1	1	1	1	1	1	1	1	1	1	1	1	1	1	1	1	1	1	1
69	69	D-UA-H745-0-0	OH745-00	POWER REGULATOR		1	1	1	1	1	1	1	1	1	1	1	1	1	1	1	1	1	1	1	1	1
70	70		9007786-00	NUT,U-NUT RETAINER .240ID		173	173	173	173	147	147	147	147	147	147	147	147	147	147	147	147	147	147	147	147	147
71	71		9006074-03	SCREW,MACH TRUSS PHIL	10-	257	257	257	257	227	227	227	227	227	227	227	227	227	227	227	227	227	227	227	227	227
72	72		9007651-00	WASHER,LOCK EXTERNAL STEEL		369	369	369	369	335	335	335	335	335	335	335	335	335	335	335	335	335	335	335	335	335
73	73	C-IA-7011833-0-0	7011833-07	CABLE ASSY SW PANEL 863 P.C.		1	1	1	1	1	1	1	1	1	1	1	1	1	1	1	1	1	1	1	1	1
74	74	E-IA-7012024-0-0	7012024-00	DOOR ASSEMBLY, RIGHT REAR (HI 80		3	3	3	3	3	3	3	3	3	3	3	3	3	3	3	3	3	3	3	3	3
75	75	D-IA-7011838-0-0	7011838-00	FILLER STRIP ASSY. (INTERCAB)		4	4	4	4	4	4	4	4	4	4	4	4	4	4	4	4	4	4	4	4	4
76	76	D-MD-7414403-0-0	7414403-00	STRIP TOP FILLER (INTER-CAB)		2	2	2	2	2	2	2	2	2	2	2	2	2	2	2	2	2	2	2	2	2
77	77		9007772-13	CLAMP,CABLE 1.95 ID 2.70 DD 7TEE		1	1	1	1	1	1	1	1	1	1	1	1	1	1	1	1	1	1	1	1	1
78	78	D-IA-7414726-0-0	7414726-00	SUPPORT, PIVOT FRONT DOOR		3	3	3	3	3	3	3	3	3	3	3	3	3	3	3	3	3	3	3	3	3

I	I	I	I	I	I	I	I	I	I	I	I	I	I	I	I	I	I	I	I	I	I	I	I	I	I	I	I
TITLE										SECTION A OF A										DOCUMENT NUMBER				REV			
ARITHMETIC PROCESSOR																				KL10-E-DBP				U			

LINE ITEM DOCUMENT NUMBER PART NUMBER DESCRIPTION

QUANTITY PER VARIATION
EA EB EC ED EE EF EH EJ EK EL EM EN

267 NOTE: 1 ITEMS 38 AND 39,SEE CPU LOGIC ASSY E-UA-KL10-PV-0 (ITEM #21).

268 NOTE: 2 REFER TO E-UA-4F20-0-0 FOR INSTALLATION

#####

RELEASABLE

#####

D	I	G	I	T	A	L	TITLE	SECTION A OF A	SIZE	DOCUMENT NUMBER	REV
							ARITHMETIC PROCESSOR			K PL KL10-E-DBP	U

LINE	ITEM	DOCUMENT NUMBER	PART NUMBER	DESCRIPTION	QUANTITY PER VARIATION													
					EA	EB	EC	ED	EE	EF	EH	EJ	EK	EL	EM	EN		
223	223	D-IA-7014409-0-0	7014409-00	POWER CORD ASSY 50HZ	-	1	-	1	-	1	-	1	-	1	-	1	-	1
224	224	D-MD-7419286-0-0	7419286-00	BRKT	6	6	6	6	6	6	6	6	6	6	6	6	6	6
225	225		1213012-01	BLOWER,CENTRIFUGAL 550CFM 230V	1	1	-	1	-	1	-	1	-	1	-	1	-	1
226	226	D-IA-7413405-0-0	7413405-00	PANEL FILTER H7420	2	2	2	2	2	2	2	2	2	2	2	2	2	2
227	227		1212431-02	*** THIS ITEM IS NOT USED ***	-	-	-	-	-	-	-	-	-	-	-	-	-	-
228	228		9006240-09	SCREW,MACH HEX PLN 1/4-	12	12	12	12	12	12	12	12	12	12	12	12	12	12
229	229	D-IA-7415202-0-0	7415202-01	PANEL LOGO	-	-	1	1	-	-	1	1	-	-	1	1	-	-
230	230	D-MD-7414725-0-0	7414725-01	PANEL GRILLE	-	-	2	2	-	-	2	2	-	-	2	2	-	-
231	231	E-IA-7011552-0-0	7011552-04	COVER CABINET TOP	-	-	3	3	-	-	3	3	-	-	3	3	-	-
232	232	E-IA-7011580-0-0	7011580-01	WELDMENT FRONT DOOR RIGHT	2	2	2	2	2	2	2	2	2	2	2	2	2	2
233	233	D-AD-7015507-0-0	7015507-00	CSA LOCKING KIT	1	1	1	1	1	1	1	1	1	1	1	1	1	1
234	234		3615180-00	/REPLACED BY 36-17674-00	1	1	1	1	1	1	1	1	1	1	1	1	1	1
235	235		3613211-01	DECAL,CLAR PREPRINTED CSA 1-1/4	REF	REF	REF	REF	REF	REF	REF	REF	REF	REF	REF	REF	REF	REF
236	236		3612449-00	LABEL, UL. FOIL VINYL, ADH BACK,	REF	REF	REF	REF	REF	REF	REF	REF	REF	REF	REF	REF	REF	REF
237	237		1212066-00	GUARD,FINGER FAN	2	2	2	2	2	2	2	2	2	2	2	2	2	2
238	238		1213756-12	GROUND STRAP	33	33	33	33	30	30	30	30	30	30	30	30	30	30
239	239	C-IA-7013059-0-0	7013059-03	GROUND STRIP	1	1	1	1	1	1	1	1	1	1	1	1	1	1
240	240		1213756-16	GROUND STRAP	2	2	2	2	1	1	1	1	1	1	1	1	1	1
241	241	C-IA-7013059-0-0	7013059-04	GROUND STRAP	1	1	1	1	1	1	1	1	1	1	1	1	1	1
242	242	D-AD-7016447-0-0	7016447-00	STRAIN RELIEF ASSY	1	1	1	1	1	1	1	1	1	1	1	1	1	1
243	243	A-PL-MB20-E-0	OMB20-E	64K EXPANSION 37 BIT	3	3	3	3	-	-	-	-	-	-	-	-	-	-
244	244	SEE NOTE 2	OMF20-LA	256KW ECC MOS MEM,ONE PJRT,120V,	-	-	-	-	1	-	1	-	1	-	1	-	1	-
245	245	SEE NOTE 2	OMF20-LB	MF20-LA EXCEPT 240V 1	-	-	-	-	-	1	-	1	-	1	-	1	-	1
246	246	K-PL-DC20-AD-0	ODC20-AD	16 LINE ASYN MULTIPLEXER	-	-	-	-	1	1	1	1	1	1	1	1	1	1
247	247		1212431-01	TAPE FOR FOAM AIR FILTERS,HOOK&L	A/R	A/R	A/R	A/R	A/R	A/R	A/R	A/R	A/R	A/R	A/R	A/R	A/R	A/R
248	248	D-AD-7018287-0-0	7018287-00	MONITOR DC VOLT MEMORY ASSY.	2	2	2	2	-	-	-	-	-	-	-	-	-	-
249	249	D-AD-7018288-0-0	7018288-00	MONITOR DC VOLT I/O NO. 1 ASSY.	1	1	1	1	1	1	1	1	1	1	1	1	1	1
250	250	C-IA-7017572-0-0	7017572-00	ASSY,THERMAL SWITCH	1	1	1	1	1	1	1	1	1	1	1	1	1	1
251	251		1213121-03	FILTER,AIR FOAM 10PPI	6	6	6	5	6	5	6	6	6	6	6	6	6	6
252	252		9006081-01	SCREW,MACH PAN PHIL 10-	3	3	3	3	3	3	3	3	3	3	3	3	3	3
253	253		9007989-00	SPACER,CLEAR HOLE HEX ALUM 10	3	3	3	3	3	3	3	3	3	3	3	3	3	3
254	254		9007091-00	CLAMP,CABLE,SCREW MTD 1 "	1	1	1	1	1	1	1	1	1	1	1	1	1	1
255	255		9007031-00	TIE,CABLE BUNDL.DIA 0- 3/4"=101	6	6	6	6	6	6	6	6	6	6	6	6	6	6
256	256		9006074-01	SCREW,MACH PAN PHIL 10-	1	1	1	1	1	1	1	1	1	1	1	1	1	1
257	257	D-AD-7018287-0-0	7018287-01	ASSY, DC VOLTAGE MONITOR MEMORY	2	2	2	2	-	-	-	-	-	-	-	-	-	-
258	258	D-AD-7018288-0-0	7018288-01	ASSY, DC VOLTAGE MONITOR I/O NO.	1	1	1	1	1	1	1	1	1	1	1	1	1	1
259	259	SEE NOTE 2	OMF20-AC	MF20-LC LESS MF20-E (NO MEMORY,C	-	-	-	-	-	-	-	-	-	-	1	-	1	-
260	260	SEE NOTE 2	OMF20-AD	MF20-LD LESS MF20-E (NO MEMORY,C	-	-	-	-	-	-	-	-	-	-	-	1	-	1
261	261	D-IA-7018942-0-0	7018942-00	STRAIN RELIEF WELDMENT	1	1	1	1	1	1	1	1	1	1	1	1	1	1
262	262	C-MD-7426362-0-0	7426362-01	CLAMP,CABLE STRAIN RELIEF	8	8	8	8	8	8	8	8	8	8	8	8	8	8
263	263	C-MD-7426363-0-0	7426363-01	PLATE MTG, STRAIN RELIEF, L.H.	2	2	2	2	2	2	2	2	2	2	2	2	2	2
264	264	C-MD-7426363-0-0	7426363-02	PLATE,MTG,STRAIN RELIEF R.H.	1	1	1	1	1	1	1	1	1	1	1	1	1	1
265	265		9006051-01	SCREW,MACH PAN PHIL 8-	16	16	16	16	16	16	16	16	16	16	16	16	16	16
266	266	A-DC-7416197-0-0	7416197-02	DECAL-UL LISTED EDP	1	1	1	1	1	1	1	1	1	1	1	1	1	1

I	I	I	I	I	I	I	I	I	I	I	I	I	I	I	I	I	I	I	I
D	I	G	I	T	A	L													

TITLE ARITHMETIC PROCESSOR SECTION A OF A
 SIZE I C D E I DOCUMENT NUMBER REV
 K PL KL10-E-DBP U

THIS DRAWING AND SPECIFICATIONS HEREIN ARE THE PROPERTY OF DIGITAL EQUIPMENT CORPORATION AND SHALL NOT BE REPRODUCED OR COPIED OR USED IN WHOLE OR IN PART AS THE BASIS FOR THE MANUFACTURE OR SALE OF ITEMS WITHOUT WRITTEN PERMISSION. COPYRIGHT © 1973 DIGITAL EQUIPMENT CORPORATION.

2-0-017K D I C 2

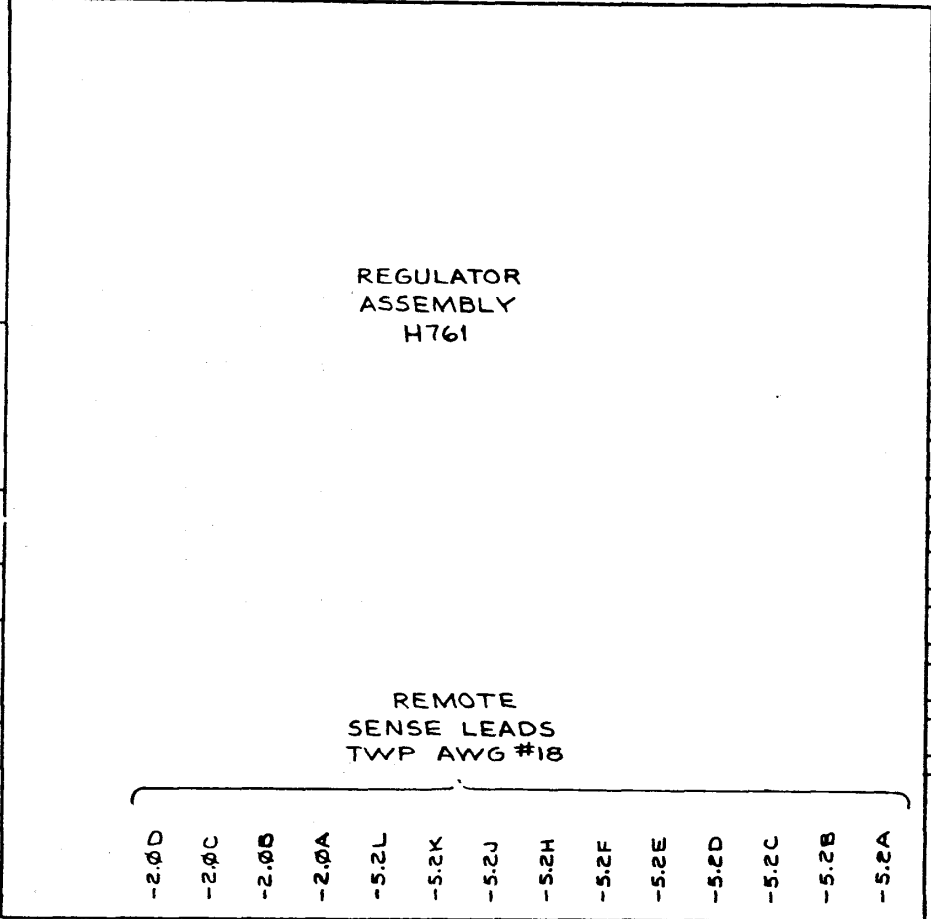
D

C

B

A

8



DC POWER TO LOAD
2-AWG #10

REVISION	DATE
CHANGE NO.	BY
CHK	DATE

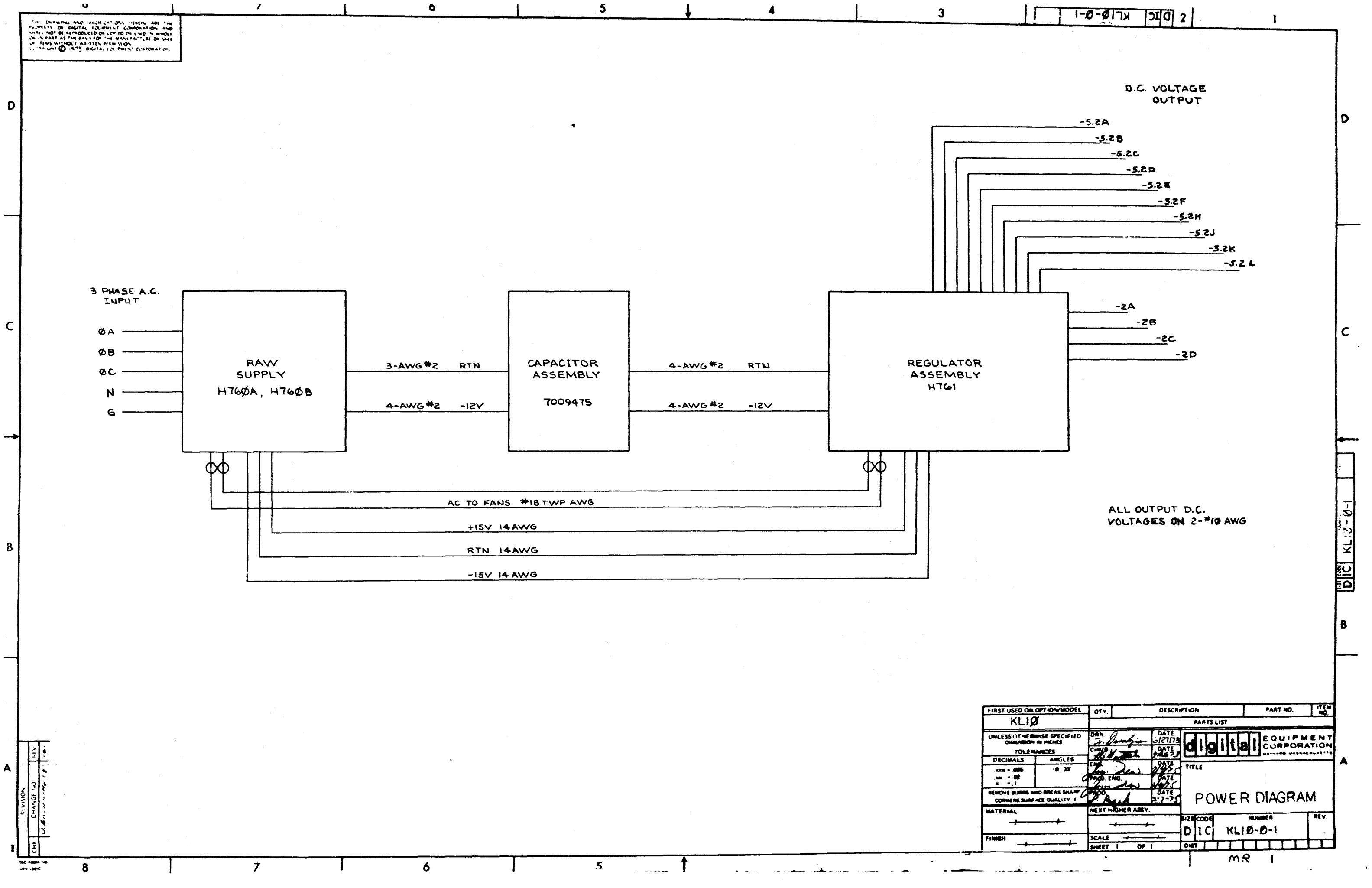
FIRST USED ON OPTION/MODEL KLIØ	QTY.	DESCRIPTION	PART NO.	ITEM NO.
PARTS LIST				
UNLESS OTHERWISE SPECIFIED DIMENSION IN INCHES		DRN. <i>[Signature]</i>	DATE 4/27/73	
TOLERANCES		CHK'D <i>[Signature]</i>	DATE 4/28/73	
DECIMALS	ANGLES	EMP. <i>[Signature]</i>	DATE 4/28/73	TITLE REGULATOR ASSEMBLY
.XXX - .005	+0 30'	PROJ. ENG. <i>[Signature]</i>	DATE 4/27/73	
.X - .02		PROD. <i>[Signature]</i>	DATE 4-27-73	
REMOVE BURRS AND BREAK SHARP CORNERS SURFACE QUALITY		NEXT HIGHER ASSY.		
MATERIAL		SCALE		SIZE CODE
FINISH		SHEET 1 OF 1		NUMBER KLIØ-Ø-2
				REV.

D I C KLIØ-Ø-2

MR 1

THE DRAWING AND SPECIFICATIONS HEREIN ARE THE PROPERTY OF DIGITAL EQUIPMENT CORPORATION AND SHALL NOT BE REPRODUCED OR LOANED OR USED IN WHOLE OR IN PART AS THE BASIS FOR THE MANUFACTURE OR SALE OF ITEMS WITHOUT WRITTEN PERMISSION.
 © 1975 DIGITAL EQUIPMENT CORPORATION.

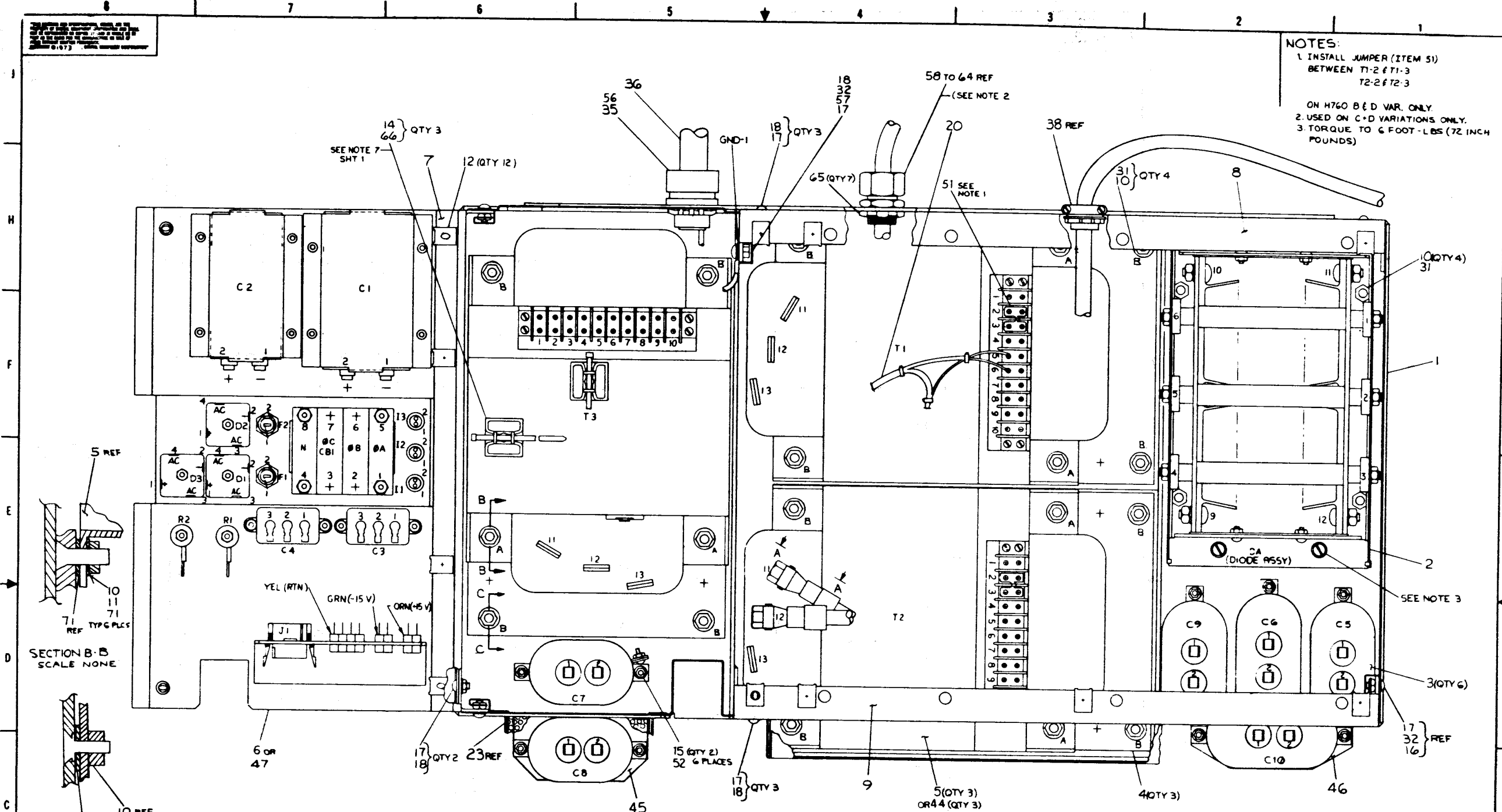
1-0-017X 510 2



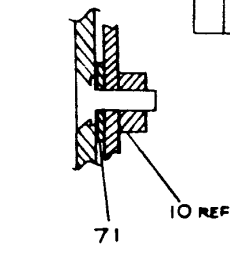
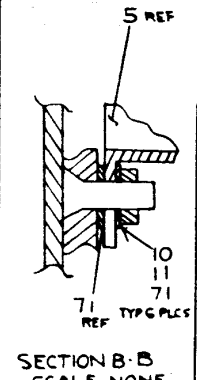
REVISION	CHANGE NO.	BY	DATE
CHK			

FIRST USED OR OPTION/MODEL	QTY.	DESCRIPTION	PART NO.	ITEM NO.
KL10				
PARTS LIST				
UNLESS OTHERWISE SPECIFIED DIMENSIONS IN INCHES		DRN. <i>[Signature]</i>	DATE 2/21/73	digital EQUIPMENT CORPORATION
TOLERANCES		CHKD. <i>[Signature]</i>	DATE 2/16/73	
DECIMALS	ANGLES	ENG. <i>[Signature]</i>	DATE 2/25/73	TITLE
±.005	0 30'	APP. ENG. <i>[Signature]</i>	DATE 2/25/73	
REMOVE BURRS AND BREAK SHARP CORNERS SURFACE QUALITY 1		PROD. <i>[Signature]</i>	DATE 2-7-73	POWER DIAGRAM
MATERIAL	NEXT HIGHER ASSY.			
FINISH	SCALE	SIZE CODE	NUMBER	REV.
	SHEET 1 OF 1	DIC	KL10-0-1	

MR 1



NOTES:
 1. INSTALL JUMPER (ITEM 51) BETWEEN T1-2 & T1-3 T2-2 & T2-3
 ON H760 B & D VAR. ONLY.
 2. USED ON C+D VARIATIONS ONLY.
 3. TORQUE TO 6 FOOT-LBS (72 INCH POUNDS)



WIRE TABLE										
ITEM NO	DESCRIPTION	AWG	COLOR	POINT	FROM CONNECTION	TERM	POINT	TO CONNECTION	TERM	REMARKS
22		2	BLU		T1-11	21		DA-1	21	
					T1-13			DA-2		
					T2-11			DA-3		
					T2-13			DA-4		
					T3-11			DA-5		
					T3-13	21		DA-6	21	
2	18	WHT			FAN1-B			CBI-1		
REF	20	TWP	RED		FAN1-A			CBI-2 *		*CBI-4
	18			1	D2-3		30	T2-5 *		*T2-7
		TWP		2	D2-4		31	T2-7 *		*T2-9
	18			3	D1-3		23	T1-5 *		*T1-7
		TWP		4	D1-4		24	T1-7 *		*T1-9
	18			5	D3-3		17	T3-5 *		*T3-7
		TWP	RED	6	D3-4		16	T3-7 *		*T3-9
REF	14	YEL			C1-1			T3-6 *		*T3-8
	20	10	BLU	8	T3-1		20	T2-2 *		*T2-4
			BLU	9	T3-1		40	CBI-3		
			BLK	10	T3-2 *		18	T1-1		*T3-4
	10	BLK		11	T3-2 *		42	CBI-1		*T3-4
	14	RED		12	T3-3 *		38	C7-1 (POS)		*T3-5
		TWP	BLK	13	T3-4 *		39	C7-2		*T3-6
	14	YEL		14	T3-6 *		25	T1-6 *		*T3-6
	10	RED		14	T1-2 *		27	T2-1		*T1-4
	20	10	RED	20	T1-2 *		41	CBI-2		*T1-4

WIRE TABLE										
ITEM NO	DESCRIPTION	AWG	COLOR	POINT	FROM CONNECTION	TERM	POINT	TO CONNECTION	TERM	REMARKS
20	14	BLK		21	T1-4 *		37	C6-2		*T1-6
		TWP	RED	22	T1-3 *		36	C6-1 (POS)		*T1-5
	14	YEL		26	T1-6 *		29	T2-6 *		*T1-8 T2-8
				32	T2-3 *		35	C9-1 (POS)		*T2-5
	20	TWP	BLK	33	T2-4 *		34	C9-2		*T2-6
	37A	2	BLK		T1-12		9			Δ ITEM 58
	38A	2	BLK		T2-12		10			Δ ITEM 59
	39A	2	BLK		T3-12		11			Δ ITEM 60
	40A	2	BLU		DA-11		5			Δ ITEM 61
	41A	2	BLU		DA-10		7			Δ ITEM 62
	42A	2	BLU		DA-9		6			Δ ITEM 63
	43A	2	BLU		DA-12		6			Δ ITEM 64
	36	10	WHT		CBI-8					
	36	10	ORG		CBI-7					
	36	10	RED		CBI-6					
	36	10	BLK		CBI-5					
	36	10	GRN		GND-1					
	20	14	RED	43	C9-1 (POS)		45	C10-1 (POS)		
	20	TWP	BLK	44	C9-2		46	C10-2		
	20	14	RED	49	C6-1 (POS)		48	C5-1 (POS)		
	20	TWP	BLK	50	C6-2		47	C5-2		
	20	14	RED	53	C7-1 (POS)		51	C8-1 (POS)		
	20	TWP	BLK	54	C7-2		52	C8-2		
	68	14	BLK		T3-2	69		T3-3	69	B & D ONLY

* FOR H760-B H760-D VARIATION, TERMINATE TO CONNECTIONS LISTED UNDER "REMARKS" COLUMN.
 Δ FOR H760-C, H760-D USE ITEMS LISTED IN "REMARKS" COLUMN

SEE PARTS LIST

KLIC

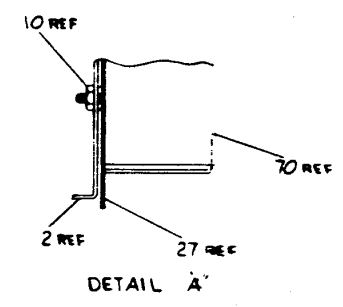
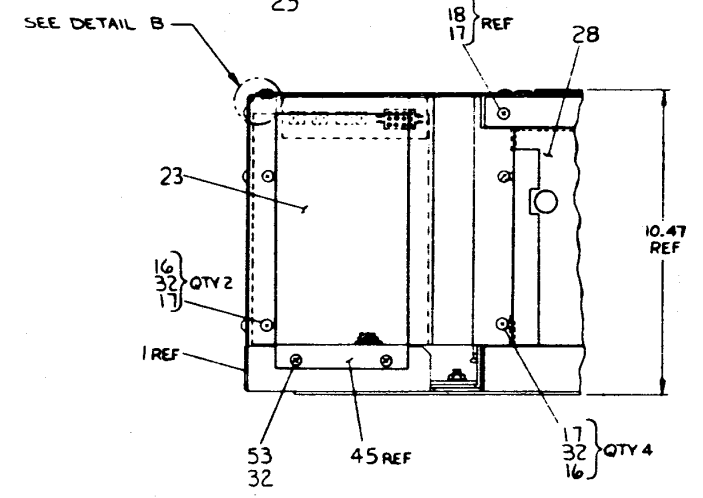
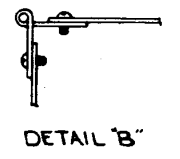
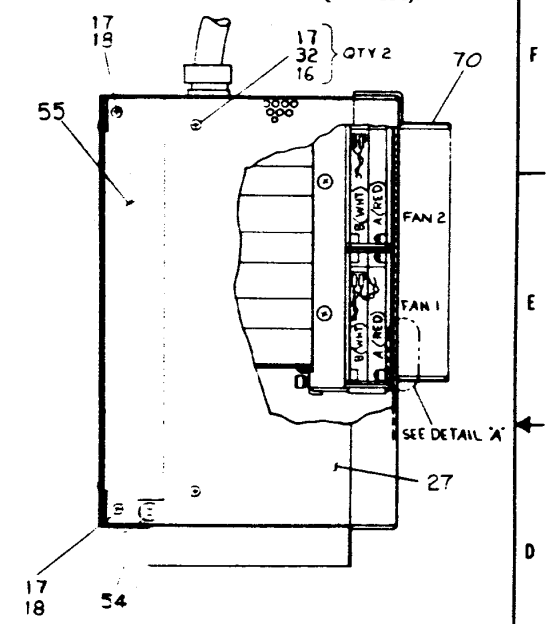
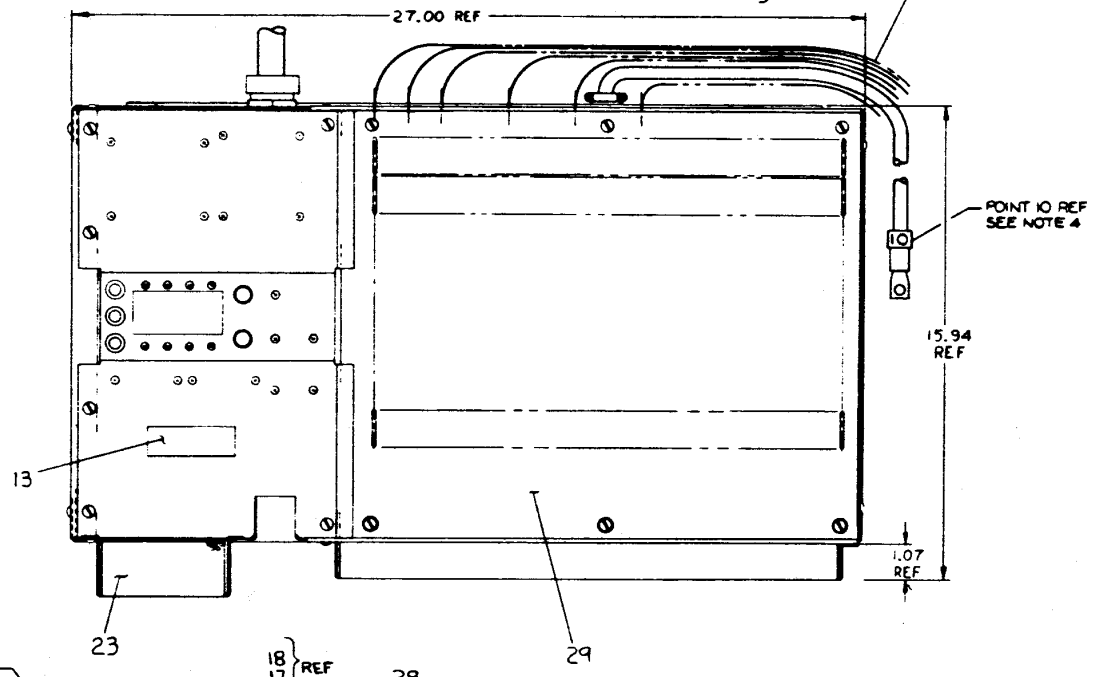
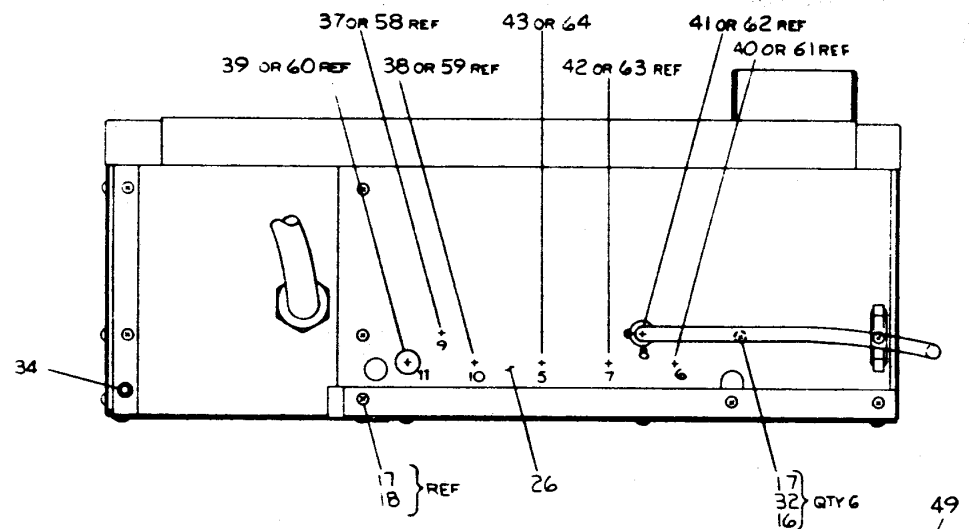
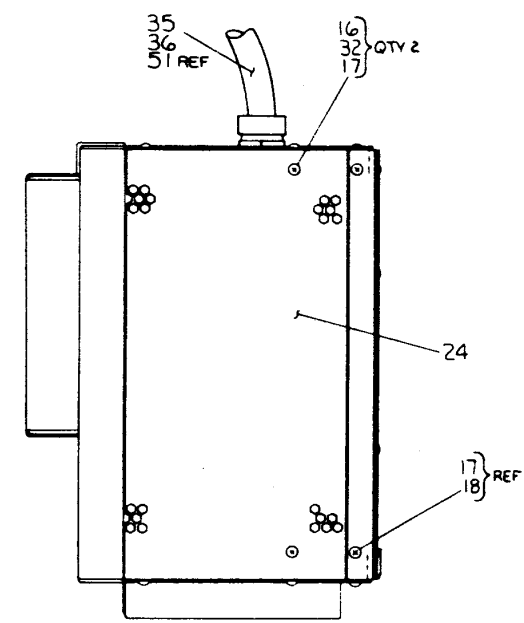
RAW POWER SUPPLY H760

H760-0-0

THIS DRAWING IS THE PROPERTY OF THE UNITED STATES GOVERNMENT AND IS LOANED TO YOU BY THE NATIONAL BUREAU OF STANDARDS. IT IS TO BE USED ONLY FOR THE PURPOSES AUTHORIZED BY THE CONTRACT UNDER WHICH IT WAS PREPARED. IT IS TO BE RETURNED TO THE NATIONAL BUREAU OF STANDARDS AT THE END OF THE LOAN PERIOD. IT IS NOT TO BE REPRODUCED OR TRANSMITTED IN ANY FORM OR BY ANY MEANS, ELECTRONIC OR MECHANICAL, INCLUDING PHOTOCOPYING, RECORDING, OR BY ANY INFORMATION STORAGE AND RETRIEVAL SYSTEM, WITHOUT PERMISSION IN WRITING FROM THE NATIONAL BUREAU OF STANDARDS.

LEGEND	
PART NUMBER	VARIATION
H760-A	208V 60HZ
H760-B	416V 50HZ
H760-C	208V 60HZ
H760-D	416V 50HZ

- NOTES:
- THIS ASSY HAS AN OFF SHEET PARTS LIST. REFER TO R-PL-H760-0-0
 - TRANSFORMER ITEMS TO BE ASSEMBLED USING ITEM #16 TO MTG PLATE ITEM #3 PLACES (TYP FOR T1, T2 & T3) THEN ATTACH MTG PLATE TO CHASSIS WITH 4) ITEM #10E 3I (TYP 3 PLACES)
 - ENGAGE 4 MTG FASTENERS ON CHASSIS. REMOVE HEAT SINK ITEM #2 & REMOVE FROM FAN BRKT (PART OF HEAT SINK) ATTACH FAN BRKT WITH 4 ITEM #23 TO CHASSIS ITEM #1. REPLACE DIODE HEAT SINK WHEN ABOVE OPERATION IS COMPLETE
 - LABEL POINT DESIGNATIONS OF 2 AWG CABLES (ITEM 37 & 43) WITH BRADY MARKERS
 - INSTALL INSULATOR CAPS (PART OF ITEM 53 & 44) TO CAPACITORS AFTER LEAD CONNECTIONS
 - LEADS MAY GO ON EITHER SIDE OF TRANSFORMER OR DIODE TERMINALS
 - ATTACH MOUNTS WITH ITEM 67 OR EQUIVALENT AND TIE HARNESS (ITEM 20) TO CABLE TIE MOUNTS 3 PLACES
 - TORQUE DOWN #2 AWG WIRE MTG. HARDWARE ON TRANSFORMERS T1, T2 & T3 TERMINALS THRU 13 AND DIODE ASSY. TERMINALS 1 THRU 6 AND 9 THRU 12 TO 236 IN.-LBS. (19 PLACES)



REV	DATE	BY	CHKD	DESCRIPTION
1	11/18/53	W. HEARD		INITIAL DESIGN
2	12/15/53	W. HEARD		REVISED TO SHOW MOUNTING
3	1/10/54	W. HEARD		REVISED TO SHOW MOUNTING
4	1/10/54	W. HEARD		REVISED TO SHOW MOUNTING
5	1/10/54	W. HEARD		REVISED TO SHOW MOUNTING
6	1/10/54	W. HEARD		REVISED TO SHOW MOUNTING
7	1/10/54	W. HEARD		REVISED TO SHOW MOUNTING
8	1/10/54	W. HEARD		REVISED TO SHOW MOUNTING
9	1/10/54	W. HEARD		REVISED TO SHOW MOUNTING
10	1/10/54	W. HEARD		REVISED TO SHOW MOUNTING
11	1/10/54	W. HEARD		REVISED TO SHOW MOUNTING
12	1/10/54	W. HEARD		REVISED TO SHOW MOUNTING
13	1/10/54	W. HEARD		REVISED TO SHOW MOUNTING
14	1/10/54	W. HEARD		REVISED TO SHOW MOUNTING
15	1/10/54	W. HEARD		REVISED TO SHOW MOUNTING
16	1/10/54	W. HEARD		REVISED TO SHOW MOUNTING
17	1/10/54	W. HEARD		REVISED TO SHOW MOUNTING
18	1/10/54	W. HEARD		REVISED TO SHOW MOUNTING
19	1/10/54	W. HEARD		REVISED TO SHOW MOUNTING
20	1/10/54	W. HEARD		REVISED TO SHOW MOUNTING
21	1/10/54	W. HEARD		REVISED TO SHOW MOUNTING
22	1/10/54	W. HEARD		REVISED TO SHOW MOUNTING
23	1/10/54	W. HEARD		REVISED TO SHOW MOUNTING
24	1/10/54	W. HEARD		REVISED TO SHOW MOUNTING
25	1/10/54	W. HEARD		REVISED TO SHOW MOUNTING
26	1/10/54	W. HEARD		REVISED TO SHOW MOUNTING
27	1/10/54	W. HEARD		REVISED TO SHOW MOUNTING
28	1/10/54	W. HEARD		REVISED TO SHOW MOUNTING
29	1/10/54	W. HEARD		REVISED TO SHOW MOUNTING
30	1/10/54	W. HEARD		REVISED TO SHOW MOUNTING
31	1/10/54	W. HEARD		REVISED TO SHOW MOUNTING
32	1/10/54	W. HEARD		REVISED TO SHOW MOUNTING
33	1/10/54	W. HEARD		REVISED TO SHOW MOUNTING
34	1/10/54	W. HEARD		REVISED TO SHOW MOUNTING
35	1/10/54	W. HEARD		REVISED TO SHOW MOUNTING
36	1/10/54	W. HEARD		REVISED TO SHOW MOUNTING
37	1/10/54	W. HEARD		REVISED TO SHOW MOUNTING
38	1/10/54	W. HEARD		REVISED TO SHOW MOUNTING
39	1/10/54	W. HEARD		REVISED TO SHOW MOUNTING
40	1/10/54	W. HEARD		REVISED TO SHOW MOUNTING
41	1/10/54	W. HEARD		REVISED TO SHOW MOUNTING
42	1/10/54	W. HEARD		REVISED TO SHOW MOUNTING
43	1/10/54	W. HEARD		REVISED TO SHOW MOUNTING
44	1/10/54	W. HEARD		REVISED TO SHOW MOUNTING
45	1/10/54	W. HEARD		REVISED TO SHOW MOUNTING
46	1/10/54	W. HEARD		REVISED TO SHOW MOUNTING
47	1/10/54	W. HEARD		REVISED TO SHOW MOUNTING
48	1/10/54	W. HEARD		REVISED TO SHOW MOUNTING
49	1/10/54	W. HEARD		REVISED TO SHOW MOUNTING
50	1/10/54	W. HEARD		REVISED TO SHOW MOUNTING
51	1/10/54	W. HEARD		REVISED TO SHOW MOUNTING
52	1/10/54	W. HEARD		REVISED TO SHOW MOUNTING
53	1/10/54	W. HEARD		REVISED TO SHOW MOUNTING
54	1/10/54	W. HEARD		REVISED TO SHOW MOUNTING
55	1/10/54	W. HEARD		REVISED TO SHOW MOUNTING
56	1/10/54	W. HEARD		REVISED TO SHOW MOUNTING
57	1/10/54	W. HEARD		REVISED TO SHOW MOUNTING
58	1/10/54	W. HEARD		REVISED TO SHOW MOUNTING
59	1/10/54	W. HEARD		REVISED TO SHOW MOUNTING
60	1/10/54	W. HEARD		REVISED TO SHOW MOUNTING
61	1/10/54	W. HEARD		REVISED TO SHOW MOUNTING
62	1/10/54	W. HEARD		REVISED TO SHOW MOUNTING
63	1/10/54	W. HEARD		REVISED TO SHOW MOUNTING
64	1/10/54	W. HEARD		REVISED TO SHOW MOUNTING
65	1/10/54	W. HEARD		REVISED TO SHOW MOUNTING
66	1/10/54	W. HEARD		REVISED TO SHOW MOUNTING
67	1/10/54	W. HEARD		REVISED TO SHOW MOUNTING
68	1/10/54	W. HEARD		REVISED TO SHOW MOUNTING
69	1/10/54	W. HEARD		REVISED TO SHOW MOUNTING
70	1/10/54	W. HEARD		REVISED TO SHOW MOUNTING

REV	DATE	BY	CHKD	DESCRIPTION
1	11/18/53	W. HEARD		INITIAL DESIGN
2	12/15/53	W. HEARD		REVISED TO SHOW MOUNTING
3	1/10/54	W. HEARD		REVISED TO SHOW MOUNTING
4	1/10/54	W. HEARD		REVISED TO SHOW MOUNTING
5	1/10/54	W. HEARD		REVISED TO SHOW MOUNTING
6	1/10/54	W. HEARD		REVISED TO SHOW MOUNTING
7	1/10/54	W. HEARD		REVISED TO SHOW MOUNTING
8	1/10/54	W. HEARD		REVISED TO SHOW MOUNTING
9	1/10/54	W. HEARD		REVISED TO SHOW MOUNTING
10	1/10/54	W. HEARD		REVISED TO SHOW MOUNTING
11	1/10/54	W. HEARD		REVISED TO SHOW MOUNTING
12	1/10/54	W. HEARD		REVISED TO SHOW MOUNTING
13	1/10/54	W. HEARD		REVISED TO SHOW MOUNTING
14	1/10/54	W. HEARD		REVISED TO SHOW MOUNTING
15	1/10/54	W. HEARD		REVISED TO SHOW MOUNTING
16	1/10/54	W. HEARD		REVISED TO SHOW MOUNTING
17	1/10/54	W. HEARD		REVISED TO SHOW MOUNTING
18	1/10/54	W. HEARD		REVISED TO SHOW MOUNTING
19	1/10/54	W. HEARD		REVISED TO SHOW MOUNTING
20	1/10/54	W. HEARD		REVISED TO SHOW MOUNTING
21	1/10/54	W. HEARD		REVISED TO SHOW MOUNTING
22	1/10/54	W. HEARD		REVISED TO SHOW MOUNTING
23	1/10/54	W. HEARD		REVISED TO SHOW MOUNTING
24	1/10/54	W. HEARD		REVISED TO SHOW MOUNTING
25	1/10/54	W. HEARD		REVISED TO SHOW MOUNTING
26	1/10/54	W. HEARD		REVISED TO SHOW MOUNTING
27	1/10/54	W. HEARD		REVISED TO SHOW MOUNTING
28	1/10/54	W. HEARD		REVISED TO SHOW MOUNTING
29	1/10/54	W. HEARD		REVISED TO SHOW MOUNTING
30	1/10/54	W. HEARD		REVISED TO SHOW MOUNTING
31	1/10/54	W. HEARD		REVISED TO SHOW MOUNTING
32	1/10/54	W. HEARD		REVISED TO SHOW MOUNTING
33	1/10/54	W. HEARD		REVISED TO SHOW MOUNTING
34	1/10/54	W. HEARD		REVISED TO SHOW MOUNTING
35	1/10/54	W. HEARD		REVISED TO SHOW MOUNTING
36	1/10/54	W. HEARD		REVISED TO SHOW MOUNTING
37	1/10/54	W. HEARD		REVISED TO SHOW MOUNTING
38	1/10/54	W. HEARD		REVISED TO SHOW MOUNTING
39	1/10/54	W. HEARD		REVISED TO SHOW MOUNTING
40	1/10/54	W. HEARD		REVISED TO SHOW MOUNTING
41	1/10/54	W. HEARD		REVISED TO SHOW MOUNTING
42	1/10/54	W. HEARD		REVISED TO SHOW MOUNTING
43	1/10/54	W. HEARD		REVISED TO SHOW MOUNTING
44	1/10/54	W. HEARD		REVISED TO SHOW MOUNTING
45	1/10/54	W. HEARD		REVISED TO SHOW MOUNTING
46	1/10/54	W. HEARD		REVISED TO SHOW MOUNTING
47	1/10/54	W. HEARD		REVISED TO SHOW MOUNTING
48	1/10/54	W. HEARD		REVISED TO SHOW MOUNTING
49	1/10/54	W. HEARD		REVISED TO SHOW MOUNTING
50	1/10/54	W. HEARD		REVISED TO SHOW MOUNTING
51	1/10/54	W. HEARD		REVISED TO SHOW MOUNTING
52	1/10/54	W. HEARD		REVISED TO SHOW MOUNTING
53	1/10/54	W. HEARD		REVISED TO SHOW MOUNTING
54	1/10/54	W. HEARD		REVISED TO SHOW MOUNTING
55	1/10/54	W. HEARD		REVISED TO SHOW MOUNTING
56	1/10/54	W. HEARD		REVISED TO SHOW MOUNTING
57	1/10/54	W. HEARD		REVISED TO SHOW MOUNTING
58	1/10/54	W. HEARD		REVISED TO SHOW MOUNTING
59	1/10/54	W. HEARD		REVISED TO SHOW MOUNTING
60	1/10/54	W. HEARD		REVISED TO SHOW MOUNTING
61	1/10/54	W. HEARD		REVISED TO SHOW MOUNTING
62	1/10/54	W. HEARD		REVISED TO SHOW MOUNTING
63	1/10/54	W. HEARD		REVISED TO SHOW MOUNTING
64	1/10/54	W. HEARD		REVISED TO SHOW MOUNTING
65	1/10/54	W. HEARD		REVISED TO SHOW MOUNTING
66	1/10/54	W. HEARD		REVISED TO SHOW MOUNTING
67	1/10/54	W. HEARD		REVISED TO SHOW MOUNTING
68	1/10/54	W. HEARD		REVISED TO SHOW MOUNTING
69	1/10/54	W. HEARD		REVISED TO SHOW MOUNTING
70	1/10/54	W. HEARD		REVISED TO SHOW MOUNTING

DIGITAL EQUIPMENT CORPORATION
MAYNARD, MASSACHUSETTS

PARTS LIST

MADE BY V. Souza
DATE 1/16/74
ENG
DATE
CHECKED D. Healy
DATE 1/28/74
SECTION 1
ISSUED SECT.

ITEM NO.	DWG NO. / PART NO.	DESCRIPTION	QUANTITY	VARIATION
44	1611985	TRANS., STEPDOWN 416V 180A 50HZ	3	
45	C-IA-7413131-0-0	CAP. MOUNTING BRKT. #1	1	
46	C-IA-7010838-0-0	CAPACITOR SUPPORT WELDMENT	1	
47	D-AD-7009410-2-0	COMPONENT MTG. PLATE ASSEMBLY	1	
48	900772-11	CABLE, CABLE		
49	9007032	TIES, CABLE	12	
50	900674-2	SCREW, PHL TRUSS HD #10-32 x .62	1	
51	9009002	JUMPER, TERM BLOCK	2	
52	9006653	WASHER, FLAT No.6	12	
53	9006071-3	SCREW, PHL TRUSS HD #10-32 x .375	4	
54	9007857	GROMMET	1	
55	C-IA-7413454-0-0	SUPPORT, COVER	1	
56	9009309-02	LOCKNUT	1	
57	9007651	WASHER, LK6 EXT TOOTH #10	1	
58	C-IA-7012467-0-0	POWER CABLE #3	1	
59	C-IA-7012467-1-0	POWER CABLE #3	1	
60	C-IA-7012467-2-0	POWER CABLE #3	1	
61	C-IA-7012468-0-0	POWER CABLE #4	1	
62	C-IA-7012468-1-0	POWER CABLE #4	1	
63	C-IA-7012468-2-0	POWER CABLE #4	1	
64	C-IA-7012468-3-0	POWER CABLE #4	1	
65	9009309-00	LOCKNUT	7	

TITLE RAW POWER SUPPLY
ASSY NO. E-UA-H760-0-0
SIZE CODE A PL
SHEET 3 OF 4
NUMBER H760-0-0
RFV. ECO NO. H

DEC FORM DEC 16-(325)-1031-N870
DRA 110

MR

DIGITAL EQUIPMENT CORPORATION
MAYNARD, MASSACHUSETTS

PARTS LIST

MADE BY V. SOUZA
DATE 16/JAN/74
ENG
DATE
CHECKED D. HEALY
DATE 28/JAN/74
SECTION 1
ISSUED SECT.

ITEM NO.	DWG NO. / PART NO.	DESCRIPTION	QUANTITY	VARIATION
66	9008264	MOUNT, CABLE TIE, ADHESIVE BACKED	3	
67	9009157	ADHESIVE, PERMABOND #102	3	
68	9107370	WIRE, 14 AWG STRD - BLACK	3	
69	9007927	TERMINAL, RING - BLUE	2	
70	D-MD-7417235-0-0	SCREEN, DRIP	1	
71	9006784	EXT. TOOTH LOCK WASHER - 1/4-20	18	

TITLE RAW POWER SUPPLY
ASSY NO. E-UA-H760-0-0
SIZE CODE A PL
SHEET 4 OF 4
NUMBER H760-0-0
RFV. ECO NO. H

DEC FORM DEC 16-(325)-1031-N870
DRA 110

MR

DIGITAL EQUIPMENT CORPORATION MAYNARD, MASSACHUSETTS PARTS LIST

MADE BY V. Souza
 DATE 1/16/74
 ENG
 DATE

CHECKED D. Healy
 DATE 1/28/74
 PROD
 DATE

SECTION
 ISSUED SECT.

ITEM NO.	DWG NO. / PART NO.	DESCRIPTION
REF	D-CS-H760-0-1	CIRCUIT SCHEMATIC (H760)
1	E-IA-7410892-0-0	CHASSIS PWR SUPPLY
2	E-IA-7009409-0-0	DIODE HEAT SINK ASSY
3	1611491 (REF)	CAPACITOR (SUPPLIED WITH ITEM #5 OR *44)
4	C-MD-7410893-0-0	PLATE, MOUNTING
5	1611491	TRANS., STEP DOWN 208V 180A 60HZ
6	D-AD-7009410-0-1	COMPONENT MTG PLATE ASSY
7	C-MD-7410903-0-0	HINGE, REWORK
8	D-MD-7410902-2-0	ANGLE, COVER MTG. (L.H.)
9	D-MD-7410902-1-0	ANGLE, COVER MTG. (R.H.)
10	9008203	NUT, KEP 1/4-20
11	9006057-2	SCREW, PHL HD FLAT 1/4-20 x .63
12	9008196	RECEPTACLE, CLIP ON
13	9009255	LABEL, ADHESIVE BACKED
14	9007031	TIES, CABLE
15	9008185	NUT, KEPS #6-32
16	9007786	NUT, TINNERMAN #10-32
17	9006072-1	SCREW, PHL, PAN HD #10-32 x .43
18	9006565	NUT KEPS #10-32
19	9008922-9	SCREW, HEX HD 3/8-16 x 1.00
20	E-IA-7009744-0-0	HARN INTERCONN. (RAW P.S. H760)
21	1211514	LUG, RIGHT ANGLE #2

TITLE RAW POWER SUPPLY

ASSY NO. E-UA-H760-0-0
 SHEET 1 OF 4

SIZE CODE A PL
 NUMBER H760-0-0
 DIST.

DEC FORM DEC 16 (325) 1031 N870
 DRA 110

		QUANTITY / VARIATION			
		H760-A(208V 60HZ)	H760-B(416V 50HZ)	H760-C(208V 60HZ)	H760-D(416V 50HZ)
X	X	X	X	X	X
1	1	1	1	1	1
6	6	6	6	6	6
3	3	3	3	3	3
3	-	3	-	-	-
1	-	1	-	-	-
1	1	1	1	1	1
1	1	1	1	1	1
1	1	1	1	1	1
22	22	22	22	22	22
6	6	6	6	6	6
12	12	12	12	12	12
1	1	1	1	1	1
12	12	12	12	12	12
12	12	12	12	12	12
16	16	16	16	16	16
27	27	27	27	27	27
11	11	11	11	11	11
19	19	19	19	19	19
1	1	1	1	1	1
12	12	12	12	12	12

ECO NO
 H760
 CCCC09

DIGITAL EQUIPMENT CORPORATION MAYNARD, MASSACHUSETTS PARTS LIST

MADE BY V. Souza
 DATE 1/16/74
 ENG
 DATE

CHECKED D. Healy
 DATE 1/28/74
 PROD
 DATE

SECTION
 ISSUED SECT.

ITEM NO.	DWG NO. / PART NO.	DESCRIPTION
22	9107764-66	WIRE, #2 AWG INS. BLU
23	D-IA-7009772-0-0	SCREEN WELDMENT #1
24	D-MD-7411558-1-0	COVER PROTECTION #3
25	9006639	WASHER, LKG, INT TOOTH .375
26	D-MD-7411586-0-0	PLATE PROTECTION
27	D-MD-7411558-2-0	COVER PROTECTION #3
28	D-IA-7009773-0-0	SCREEN WELDMENT #2
29	D-IA-7410898-0-0	COVER, POWER SUPPLY
30	9006671-1	SCREW, PHL HD, PAN #10-32 x .33
31	9008415	WASHER, FLAT .572 O.D. x .270 I.D. x .06
32	9006635	WASHER INT TOOTH LOCK #10
33	9006593	NUT, HEX HD 3/8-16
34	9007013	GROMMET, .44 DIA. x .19 HOLE
35	121198-3	STRAIN RELIEF
36	E-IA-7011036-0-0	POWER CORD, H760
37	C-IA-7010844-1-0	POWER CABLE #1
38	C-IA-7010844-2-0	POWER CABLE #1
39	C-IA-7010844-3-0	POWER CABLE #1
40	C-IA-7010845-1-0	POWER CABLE #2
41	C-IA-7010845-2-0	POWER CABLE #2
42	C-IA-7010845-3-0	POWER CABLE #2
43	C-IA-7010845-4-0	POWER CABLE #2

TITLE RAW POWER SUPPLY

ASSY NO. E-UA-H760-0-0
 SHEET 2 OF 4

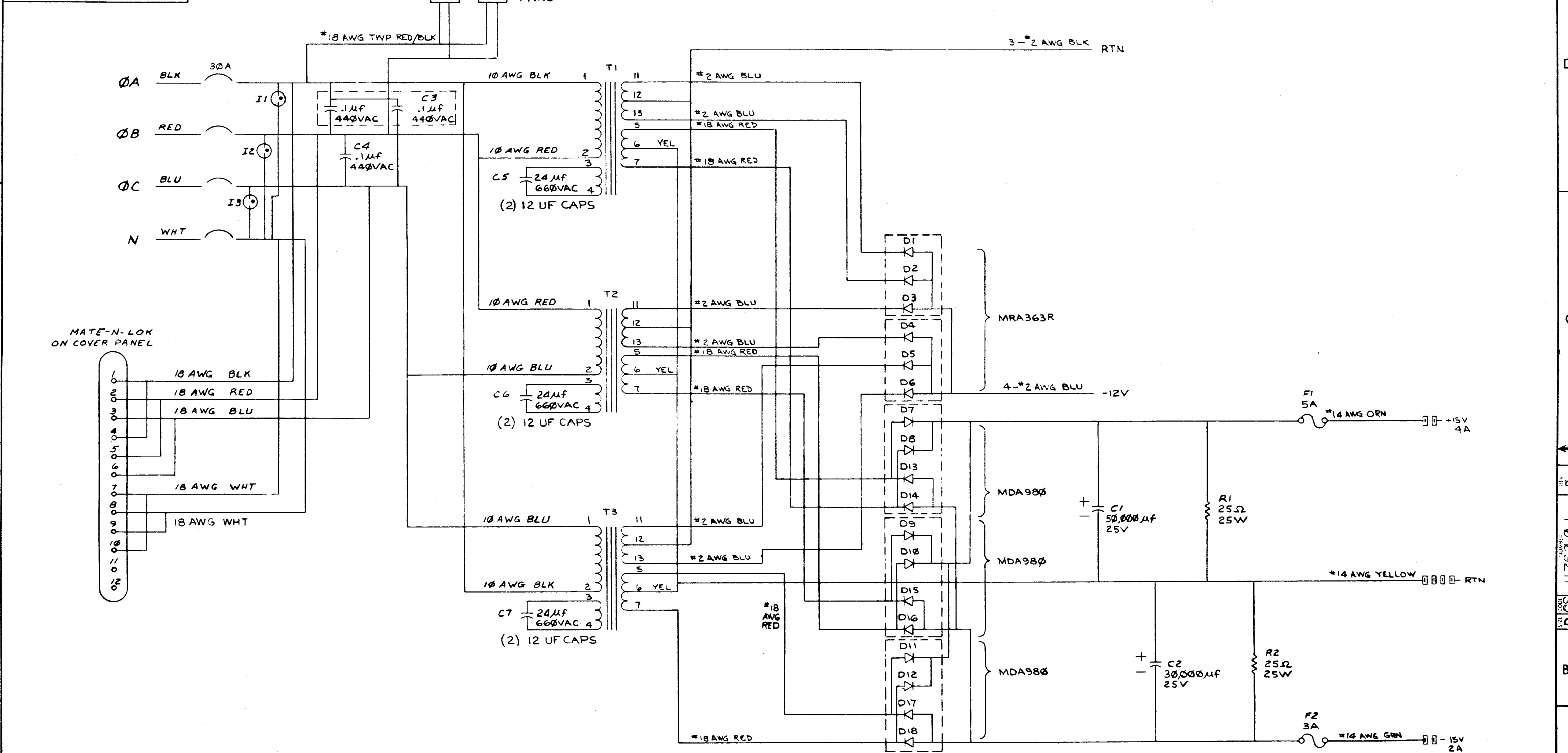
SIZE CODE A PL
 NUMBER H760-0-0
 DIST.

DEC FORM DEC 16 (325) 1031 N870
 DRA 110

		QUANTITY / VARIATION			
		H760-A(208V 60HZ)	H760-B(416V 50HZ)	H760-C(208V 60HZ)	H760-D(416V-50HZ)
A/R	A/R	A/R	A/R	A/R	A/R
1	1	1	1	1	1
19	19	19	19	19	19
1	1	1	1	1	1
1	1	1	1	1	1
1	1	1	1	1	1
1	1	1	1	1	1
10	10	10	10	10	10
21	21	21	21	21	21
19	19	19	19	19	19
1	1	1	1	1	1
1	1	1	1	1	1
1	1	1	1	1	1
1	1	1	1	1	1
1	1	1	1	1	1
1	1	1	1	1	1
1	1	1	1	1	1
1	1	1	1	1	1

ECO NO
 H760
 CCCC09

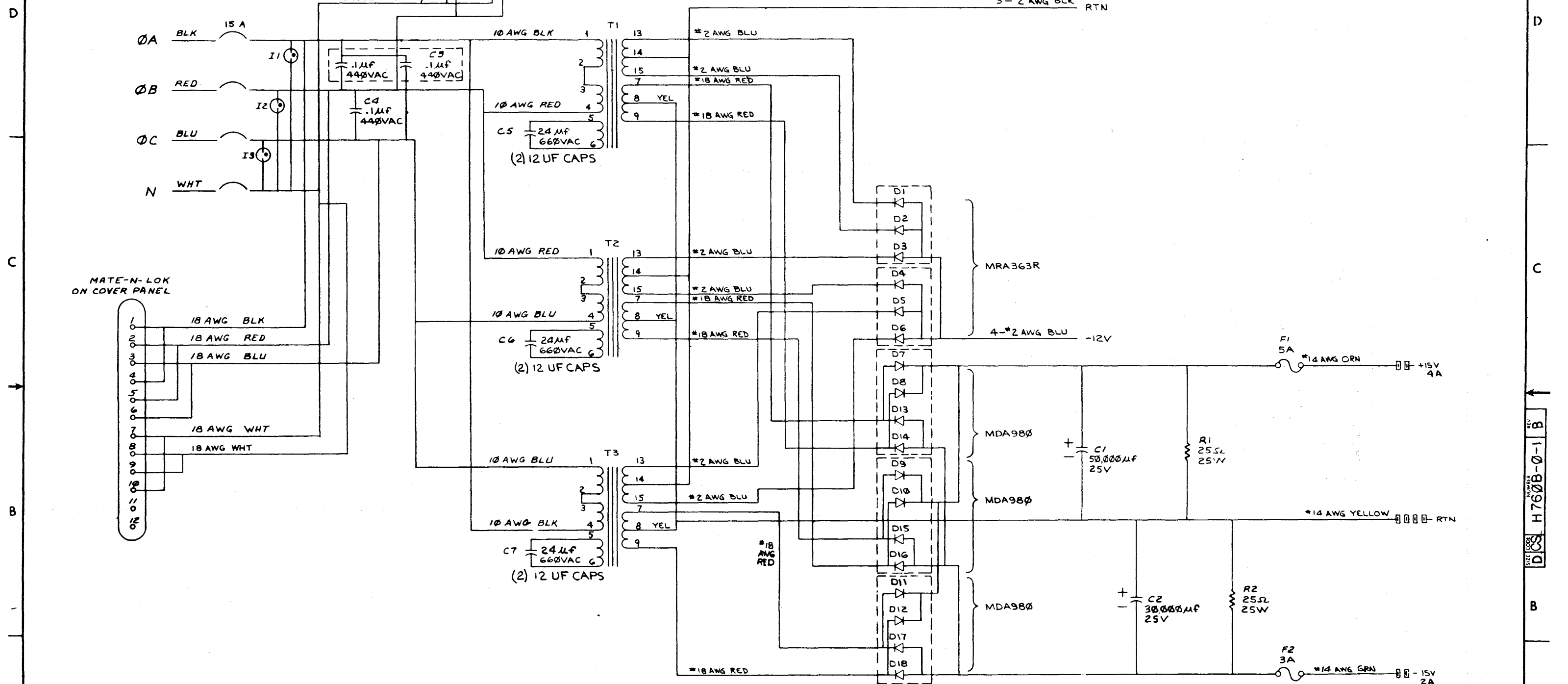
THE DRAWING AND SPECIFICATIONS HEREIN ARE THE PROPERTY OF DIGITAL EQUIPMENT CORPORATION AND SHALL NOT BE REPRODUCED OR COPIED OR USED IN WHOLE OR IN PART AS THE BASIS FOR THE MANUFACTURE OR SALE OF ANY EQUIPMENT WITHOUT WRITTEN PERMISSION FROM DIGITAL EQUIPMENT CORPORATION



1	H760 00003 - A	J. DREW
2	H760-12-11-12-16	J. DREW
3	H760-12-11-12-16	J. DREW
4	H760-12-11-12-16	J. DREW
5	H760-12-11-12-16	J. DREW
6	H760-12-11-12-16	J. DREW
7	H760-12-11-12-16	J. DREW
8	H760-12-11-12-16	J. DREW

FIRST USED ON OPTION/MODEL	QTY.	DESCRIPTION	PART NO.	ITEM NO.
H760				
PARTS LIST				
UNLESS OTHERWISE SPECIFIED DIMENSION IN INCHES	DRN. <i>H. P. Smith</i>	DATE 2/26/73		
TOLERANCES	CHK'D <i>H. P. Smith</i>	DATE 2/26/73		
DECIMALS	ENGR. <i>H. P. Smith</i>	DATE 2/26/73		
ANGLES	PROJ. ENGR. <i>H. P. Smith</i>	DATE 2/26/73		
xxx = .005	xxx = .02	xxx = .1	TITLE	
REMOVE BURRS AND BREAK SHARP CORNERS SURFACE QUALITY Y			RAW SUPPLY	
MATERIAL	NEXT HIGHER ASSY.		SIZE CODE	NUMBER
FINISH			D CS	H760A-0-1
SCALE		SHEET 1 OF 1		REV. B

THIS DRAWING AND SPECIFICATIONS HEREIN ARE THE PROPERTY OF DIGITAL EQUIPMENT CORPORATION AND SHALL NOT BE REPRODUCED OR COPIED OR USED IN WHOLE OR IN PART AS THE BASIS FOR THE MANUFACTURE OR SALE OF ITEMS WITHOUT WRITTEN PERMISSION.
 © 1973 DIGITAL EQUIPMENT CORPORATION



MATE-N-LOK
ON COVER PANEL

REV	CHANGE NO	DATE	BY	CHKD
1	H760-0003	A	J. DREW	
2	H760-MR008	B	J. DREW	
3	H760-MR008	B	J. DREW	

FIRST USED ON OPTION/MODEL	QTY.	DESCRIPTION	PART NO.	ITEM NO.
H76Ø				
PARTS LIST				
UNLESS OTHERWISE SPECIFIED DIMENSION IN INCHES		DRN <i>J. Drew</i>	DATE 6/26/73	 DIGITAL EQUIPMENT CORPORATION NATAND, MASSACHUSETTS
TOLERANCES		CHKD <i>J. Drew</i>	DATE 4/22/73	
DECIMALS	ANGLES	ENG <i>J. Drew</i>	DATE 4/22/73	TITLE RAW SUPPLY
xxx = .006	-0° 30'	PROJ. ENG <i>J. Drew</i>	DATE 4/22/73	
REMOVE BURRS AND BREAK SHARP CORNERS SURFACE QUALITY 1				
MATERIAL	NEXT HIGHER ASSY.	SIZE CODE		
FINISH	SCALE	NUMBER		
	SHEET	D E S I H76ØB-Ø-1		
		REV. B		

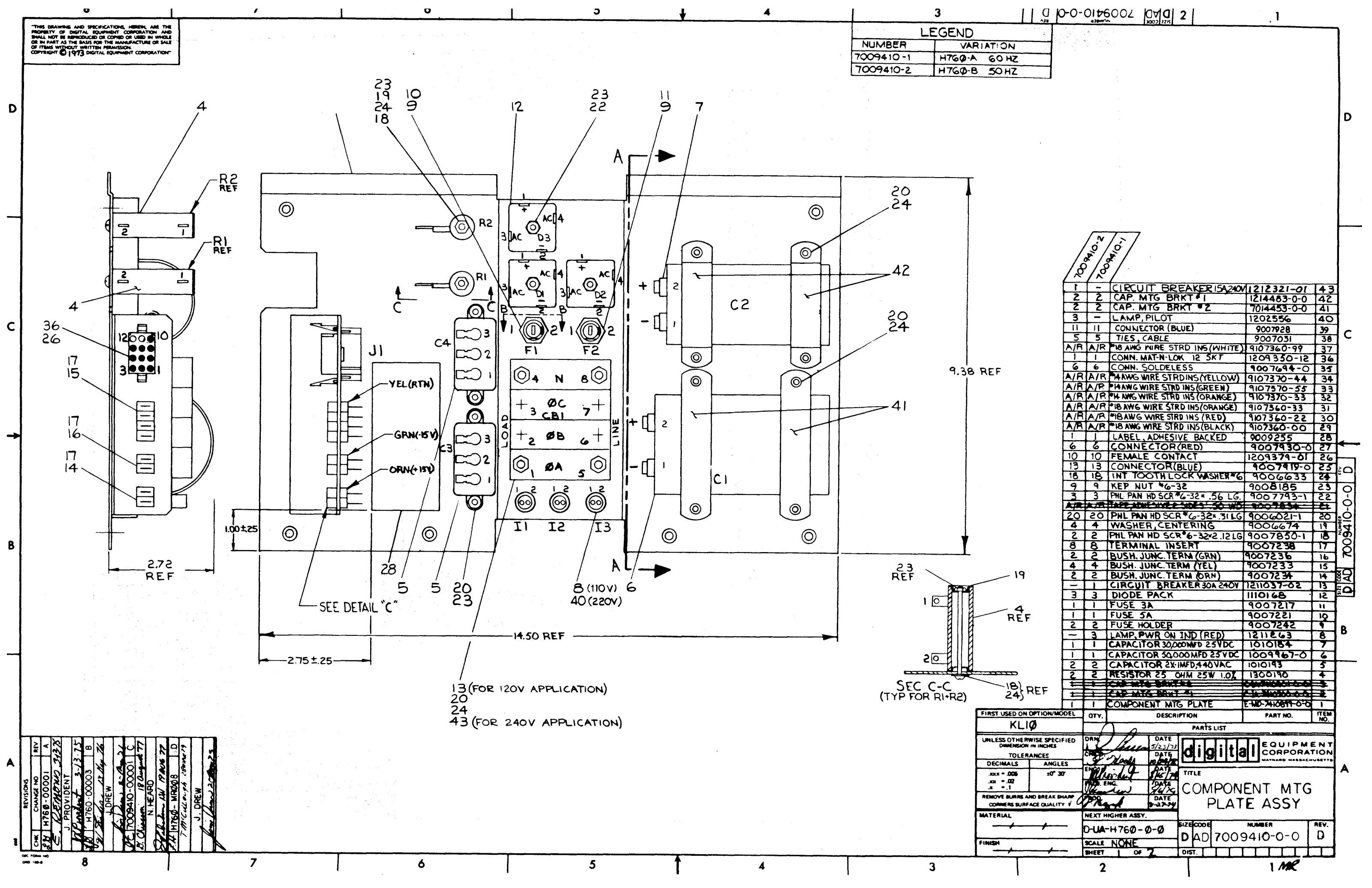
REV. B
H76ØB-Ø-1

A

MR

THIS DRAWING AND SPECIFICATIONS HEREIN ARE THE PROPERTY OF DIGITAL EQUIPMENT CORPORATION AND SHALL NOT BE REPRODUCED OR COPIED OR USED IN WHOLE OR IN PART AS THE BASIS FOR THE MANUFACTURE OR SALE OF ITEMS WITHOUT WRITTEN PERMISSION. COPYRIGHT © 1973 DIGITAL EQUIPMENT CORPORATION.

LEGEND	
NUMBER	VARIATION
7009410-1	H760-A 60 HZ
7009410-2	H760-B 50 HZ



QTY	DESCRIPTION	PART NO.	ITEM NO.
1	CIRCUIT BREAKER 15A 240V	1212321-01	43
2	CAP. MTG BRKT #1	1214463-0-0	42
2	CAP. MTG BRKT #2	7014453-0-0	41
3	LAMP, PILOT	1202556	40
11	CONNECTOR (BLUE)	9007928	39
5	TIES, CABLE	9007031	38
A/R	A/R #18 AWG WIRE STRD INS (WHITE)	9107360-99	37
1	CONN. MAT-N-LOK 12 SKT	1209350-12	36
6	CONN. SOLDESS	9007694-0	35
A/R	A/R #14 AWG WIRE STRD INS (YELLOW)	9107370-44	34
A/R	A/R #14 AWG WIRE STRD INS (GREEN)	9107370-55	33
A/R	A/R #14 AWG WIRE STRD INS (ORANGE)	9107370-33	32
A/R	A/R #18 AWG WIRE STRD INS (ORANGE)	9107360-33	31
A/R	A/R #18 AWG WIRE STRD INS (RED)	9107360-22	30
A/R	A/R #18 AWG WIRE STRD INS (BLACK)	9107360-00	29
1	LABEL, ADHESIVE BACKED	9009255	28
6	CONNECTOR (RED)	9007930-0	27
10	FEMALE CONTACT	1209379-01	26
13	CONNECTOR (BLUE)	9007419-0	25
18	INT TOOTH LOCK WASHER #6	9006633	24
9	KEP NUT #6-32	9008185	23
3	PHL PAN HD SCR #6-32 x .56 LG.	9007793-1	22
4	WASHER, CENTERING	9006674	19
2	PHL PAN HD SCR #6-32 x 2.12 LG	9007850-1	18
8	TERMINAL INSERT	9007238	17
2	BUSH. JUNC. TERM (GRN)	9007236	16
4	BUSH. JUNC. TERM (YEL)	9007233	15
2	BUSH. JUNC. TERM (ORN)	9007234	14
-	CIRCUIT BREAKER 30A 240V	1211037-02	13
3	DIODE PACK	1110168	12
1	FUSE 3A	9007217	11
1	FUSE 5A	9007221	10
2	FUSE HOLDER	9007242	9
-	LAMP, PWR ON IND (RED)	1211263	8
1	CAPACITOR 30,000MFD 25VDC	1010184	7
1	CAPACITOR 50,000MFD 25VDC	1009467-0	6
2	CAPACITOR 2X-1MFD, 440VAC	1010193	5
2	RESISTOR 25 OHM 25W 1.0%	1300190	4
1	CAP. MTG BRKT #1	1214463-0-0	3
1	CAP. MTG BRKT #2	7014453-0-0	2
1	COMPONENT MTG PLATE	E-MD-240811-0-0	1

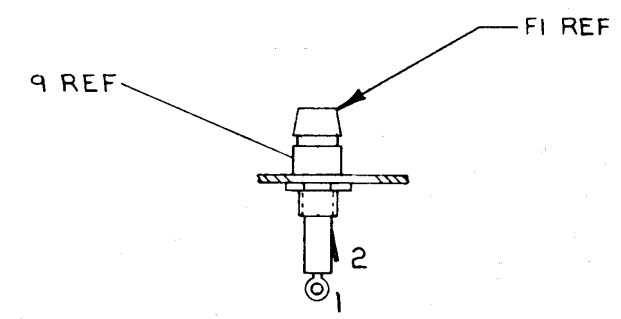
REV	CHANGE NO	DATE	BY	CHK
A	0001	3-13-75	J. DREW	J. DREW
B	0003	3-13-75	J. DREW	J. DREW
C	0001	3-13-75	J. DREW	J. DREW
D	0008	3-13-75	J. DREW	J. DREW

FIRST USED ON OPTION/MODEL		QTY.	DESCRIPTION	PART NO.	ITEM NO.
KL10					
UNLESS OTHERWISE SPECIFIED DIMENSION IN INCHES		PARTS LIST			
TOLERANCES		digital EQUIPMENT CORPORATION			
DECIMALS	ANGLES	MAYNARD MASSACHUSETTS			
.XXX = .005	10° 30'	TITLE			
.XX = .02		COMPONENT MTG PLATE ASSY			
.X = .1		MATERIAL			
REMOVE BURRS AND BREAK SHARP CORNERS SURFACE QUALITY		NEXT HIGHER ASSY.			
		D-UA-H760-0-0			
		SCALE NONE			
		SHEET 1 OF 2			
		SIZE CODE		NUMBER	
		DAD		7009410-0-0	
		DIST.		REV. D	

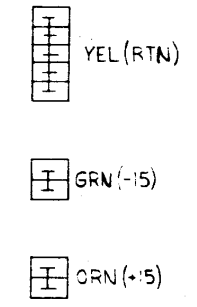
THIS DRAWING AND SPECIFICATIONS, HEREIN, ARE THE PROPERTY OF DIGITAL EQUIPMENT CORPORATION AND SHALL NOT BE REPRODUCED OR COPIED OR USED IN WHOLE OR IN PART AS THE BASIS FOR THE MANUFACTURE OR SALE OF ITEMS WITHOUT WRITTEN PERMISSION. COPYRIGHT © 1973 DIGITAL EQUIPMENT CORPORATION.

WIRE TABLE

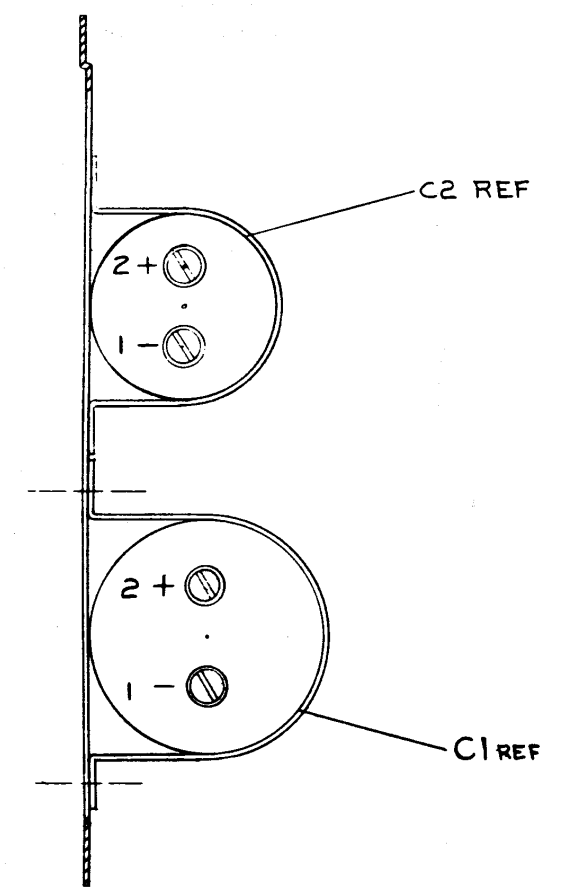
ITEM NO.	DESCRIPTION			FROM			TO		
	AWG	COLOR	POINT	CONNECTION	WITH	POINT	CONNECTION	WITH	
8	*22	*BLK		I1-2				27	
8	*22	*BLK		I2-2			CBI-4	27	
8	*22	*BLK		I3-2				27	
8	*22	*BLK		I1-1			CBI-1	39	
29	18	BLK		J1-1	26		J1-4	26	
8	*22	*BLK		I2-1			CBI-2	39	
30	18	RED		J1-2	26		J1-5	26	
30	18	RED							
31	*22	*BLK		I3-1			CBI-3	39	
31	18	ORN		J1-3	26		J1-6	26	
29	18	BLK		C3-1	SOLD		CBI-1	27	
29	18	BLK		C3-2	SOLD				
29	18	BLK		C4-1	SOLD		CBI-2	39	
29	18	BLK		C3-3	SOLD				
29	18	BLK		C4-2	SOLD		CBI-3	39	
32	14	ORN		D1-1	25+35		D2-1	25+35	
32	14	ORN		D2-1	25		D3-1	25+35	
32	14	ORN		D3-1	25		C1-2(POS)	39	
32	14	ORN		R1-1	SOLD		D1-1	25	
32	14	ORN		F1-1	SOLD		F1-2	SOLD	
32	14	ORN					**+15(ORG)	17+SOLD	
33	14	GRN		D1-2	25+35		D2-2	25+35	
33	14	GRN		D2-2	25		D3-2	25+35	
33	14	GRN		D3-2	25		C2-1(NEG)	39	
33	14	GRN		R2-1	SOLD		D1-2	25	
33	14	GRN		F2-1	SOLD		F2-2	SOLD	
33	14	GRN					** -15(GRN)	17+SOLD	
34	14	YEL		C1-1(NEG)	39		C2-2(POS)	39	
34	14	YEL		C2-2(POS)	39		R1-2	SOLD	
34	14	YEL		R1-2	SOLD		R2-2	SOLD	
34	14	YEL		R2-2	SOLD		**RTN(YEL)	17+SOLD	
37	18	WHT		J1-10	26		CBI-4	27	
37	18	WHT					J1-7	26	
37	18	WHT		C1-1(NEG)	39			25	
37	18	WHT		CBI-4	27				
37	18	WHT		J1-9	26		J1-8	26	



SECTION B-B
(TYP FOR FI F2)



DETAIL 'C'
(BUS YEL, GRN & ORN WIRES AS SHOWN)
TURNED TO SHOW TERMINALS



SECTION A-A

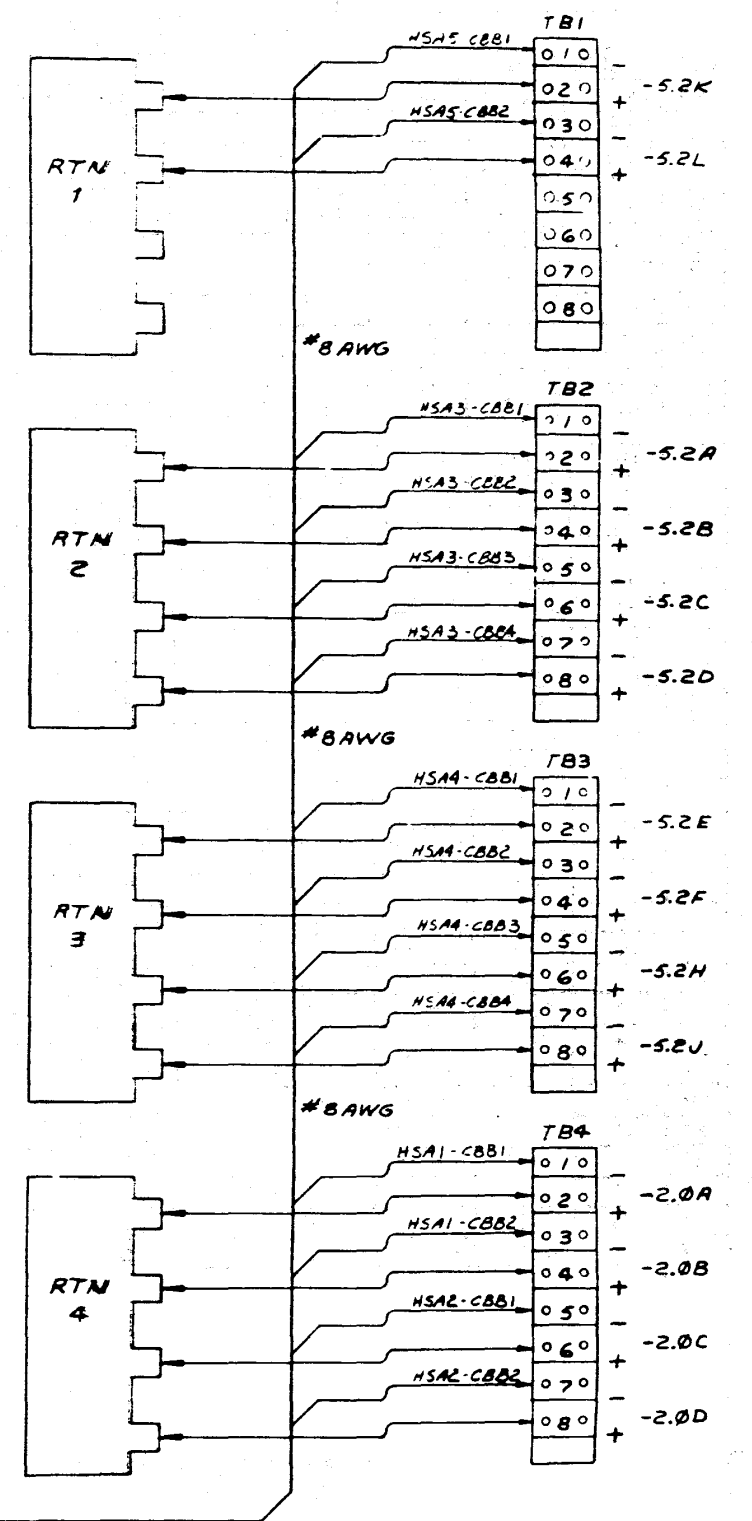
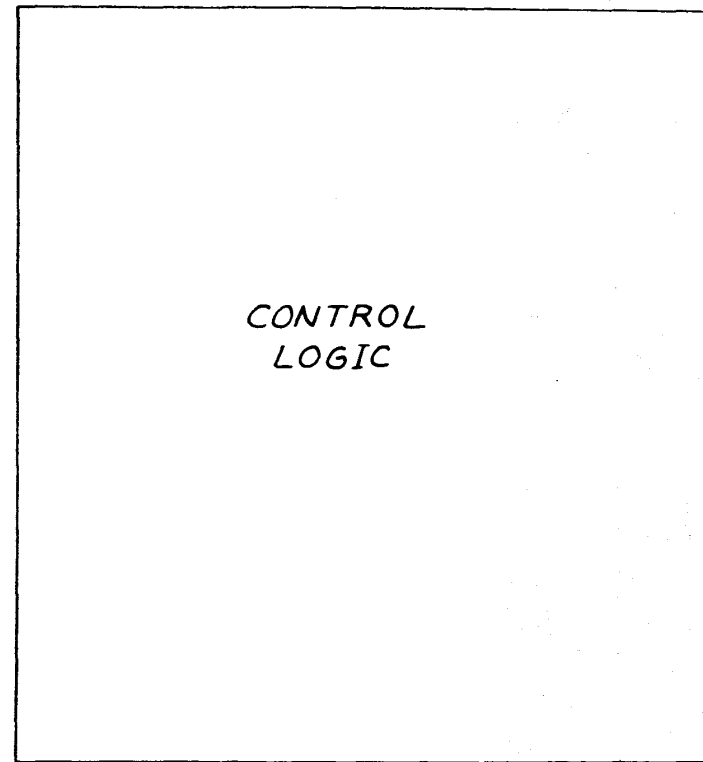
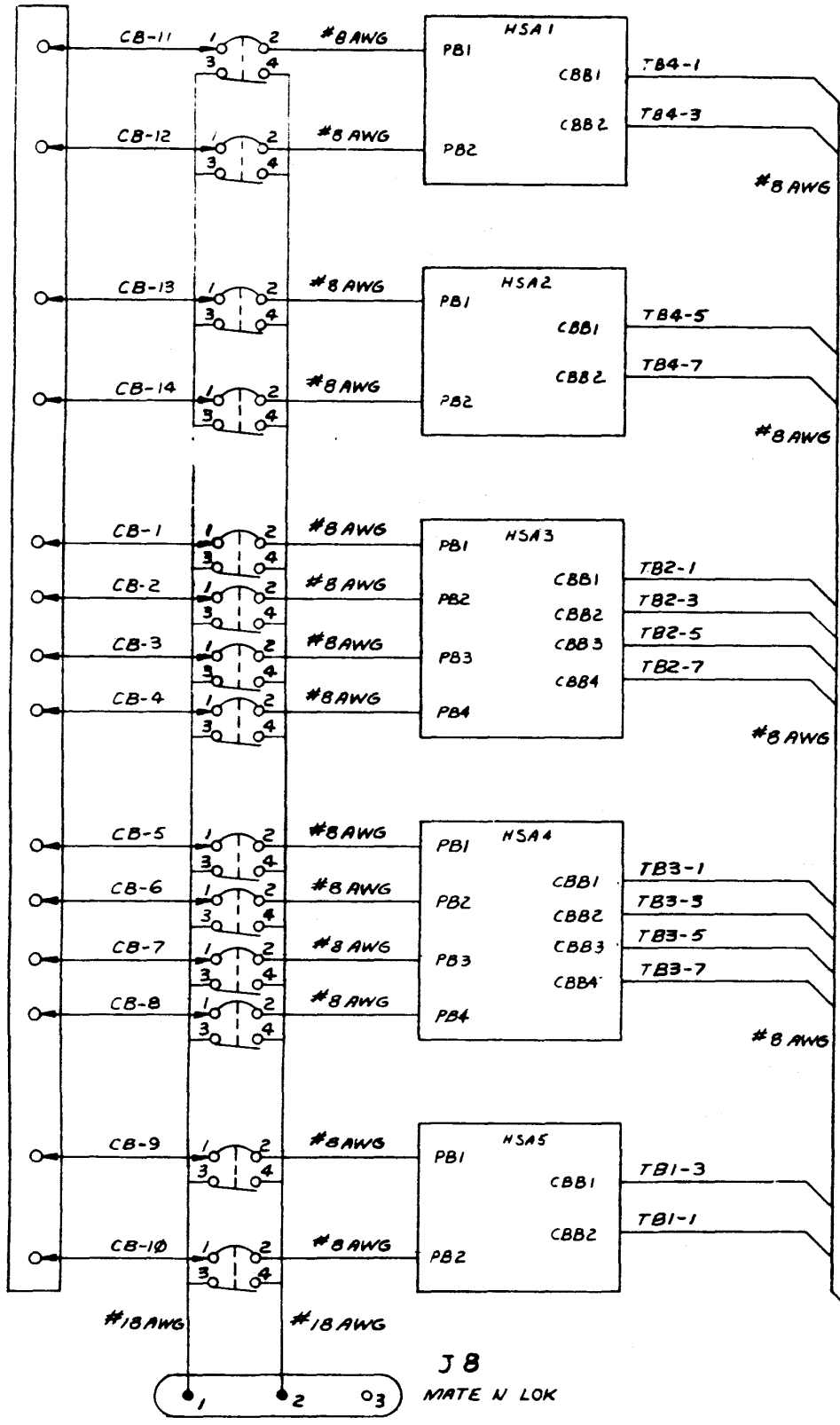
* #22 AWG BLK WIRE PART OF INDICATOR LAMP ITEM #8
** SEE DETIAL 'C'

REVISIONS		
CHK	CHANGE NO	REV

THIS DRAWING AND SPECIFICATIONS HEREIN ARE THE PROPERTY OF DIGITAL EQUIPMENT CORPORATION AND SHALL NOT BE REPRODUCED OR COPIED OR USED IN WHOLE OR IN PART AS THE BASIS FOR THE MANUFACTURE OR SALE OF ITEMS WITHOUT WRITTEN PERMISSION. COPYRIGHT © 1974, DIGITAL EQUIPMENT CORPORATION

NOTE: CBB INDICATES COLLECTOR BUS
PB INDICATES POWER BUS

RTN1 THRU 4:
BUSSING BARS
MOUNTED ON
TERMINAL BLOCKS



-12V BUS BAR
MOUNTED ON
CIRCUIT BREAKER
POSTS

CONTROL
LOGIC

J B
MATE N LOK

REV.	CHANGE NO.	DESCRIPTION
1	A	REVISED
2	B	REVISED
3	C	REVISED
4	D	REVISED

FIRST USED ON OPTION/MODEL		QTY.	DESCRIPTION	PART NO.	ITEM NO.
H761					
DIMENSIONAL TOLERANCE		PARTS LIST			
DIMENSIONS ARE IN MILLIMETERS UNLESS OTHERWISE SPECIFIED		digital			
MILLIMETERS		TITLE			
X.XX ±0.10		H761 (POWER)			
X.X ±0.05		WIRING DIAGRAM			
X ±0.2		NUMBER			
THIRD ANGLE PROJECTION		D I C H761-0-8			
REMOVE BURRS AND BREAK SHARP CORNERS SURFACE QUALITY		REV. A			
MATERIAL		SCALE			
FINISH		SHEET 1 OF 2			

THIS DRAWING AND SPECIFICATIONS HEREIN ARE THE PROPERTY OF DIGITAL EQUIPMENT CORPORATION AND SHALL NOT BE REPRODUCED OR COPIED OR USED IN WHOLE OR IN PART AS THE BASIS FOR THE MANUFACTURE OR SALE OF ITEMS WITHOUT WRITTEN PERMISSION. COPYRIGHT © 1976, DIGITAL EQUIPMENT CORPORATION.

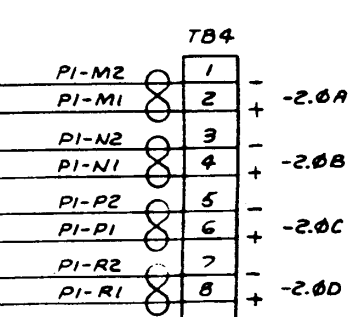
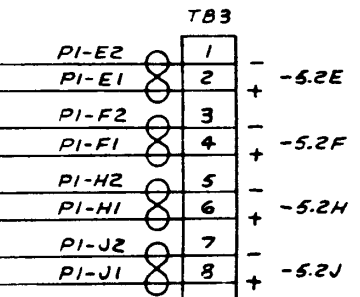
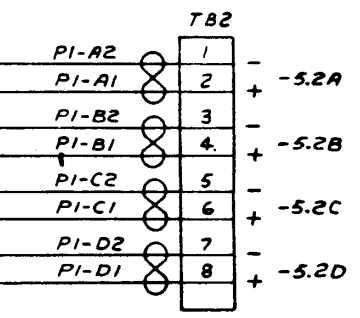
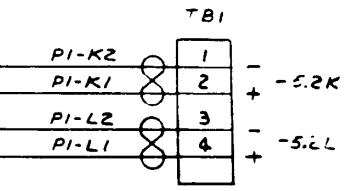
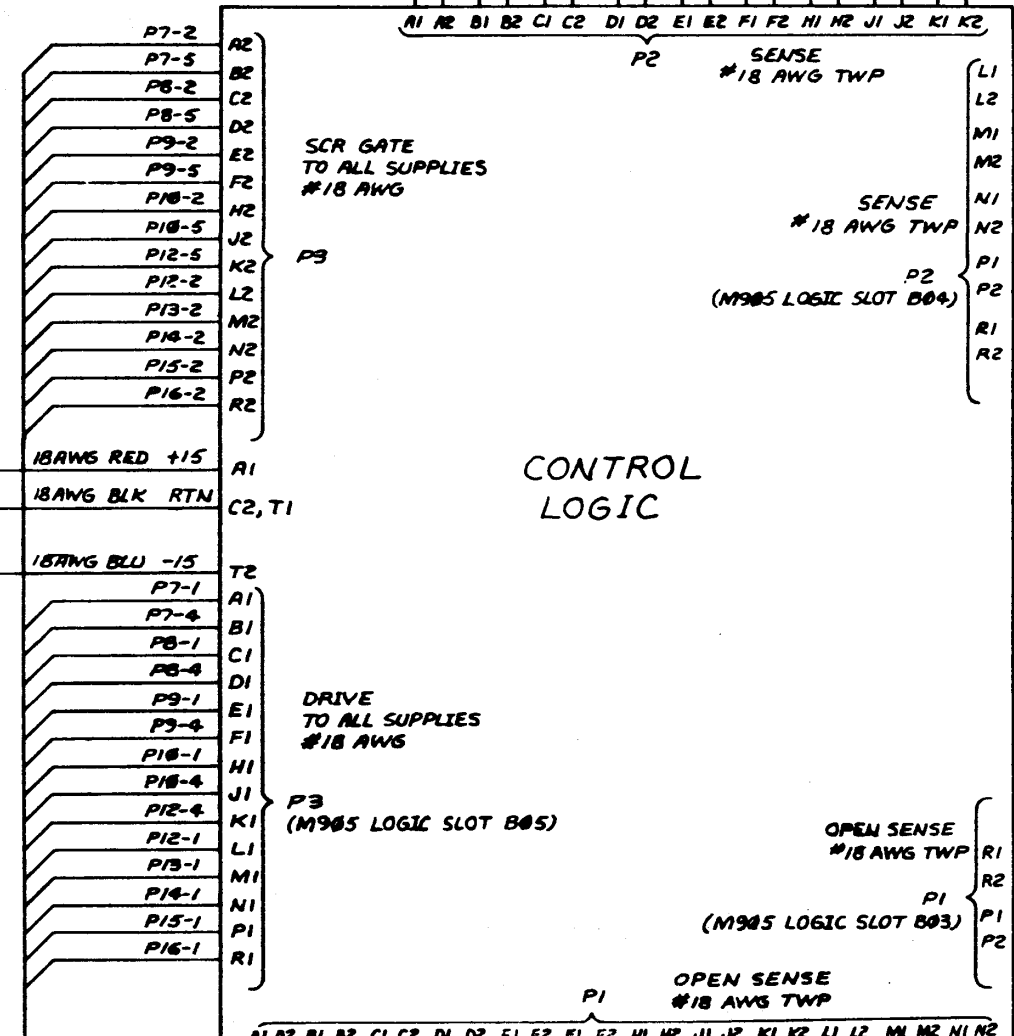
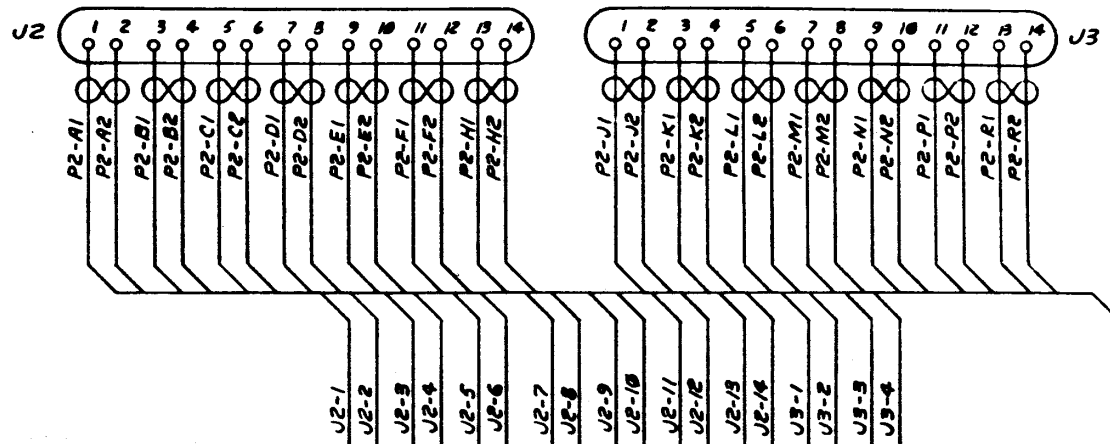
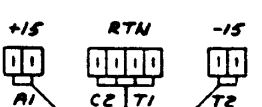
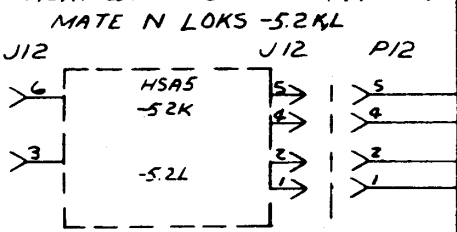
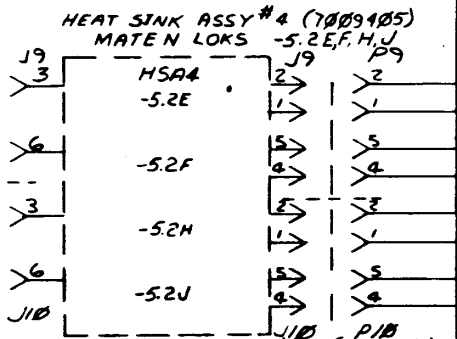
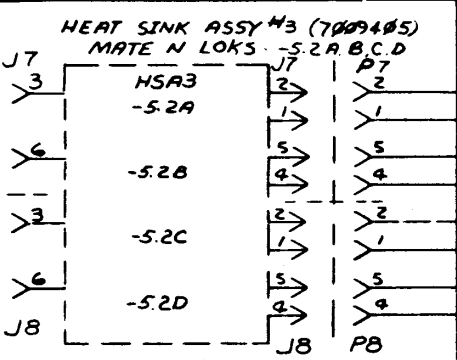
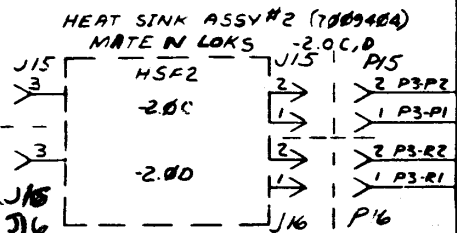
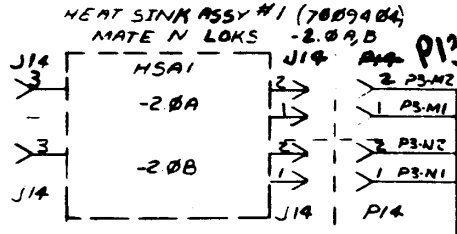
RTN 1 THRU 4:
BUSSING BARS
MOUNTED ON
TERMINAL BLOCK
TB1-RTN1
TB2-RTN2
TB3-RTN3
TB4-RTN4

#14AWG
RTN
4
3
2
1

#18 AWG BLK
RTN
2
3
4

RTN
3
2
1

RTN
1
2
3
4

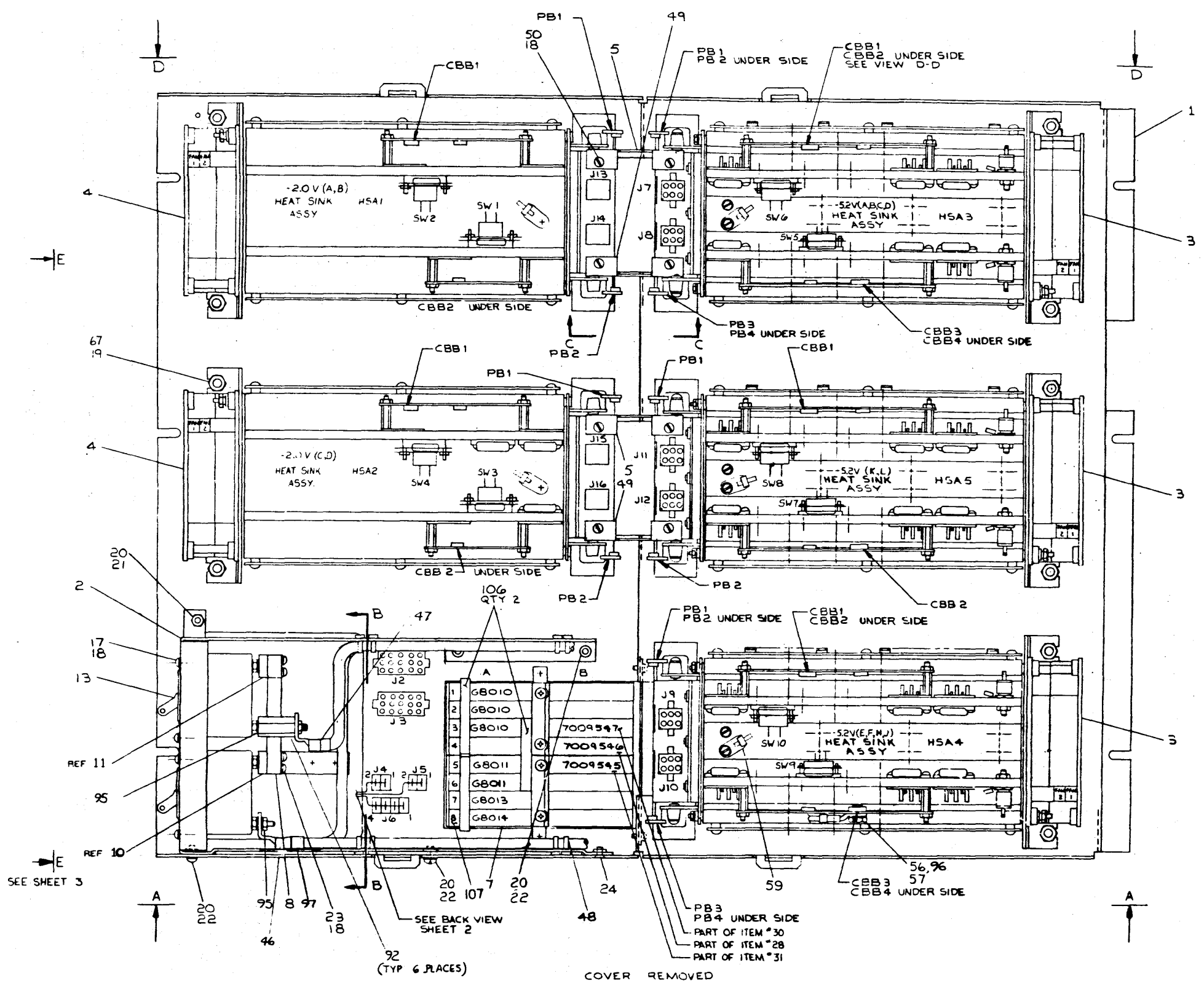


CHK	CHANGE NO	REV

THIS DRAWING AND SPECIFICATIONS, WHEN USED IN THE MANUFACTURE OF THIS EQUIPMENT, SHALL BE HELD AS A CONTRACT BY THE MANUFACTURER TO THE UNITED STATES GOVERNMENT. THE GOVERNMENT SHALL NOT BE BOUND BY THIS CONTRACT IN THE EVENT OF A CHANGE IN REQUIREMENTS OR IN THE EVENT OF A CHANGE IN THE DESIGN OF THIS EQUIPMENT.

DO NOT SCALE DRAWING

NOTES:
 1. USE TIE WRAPS (ITEM #36) ACCORDING TO DEC STANDARD 116.
 2. COLOR DOT ON THERMIST MATCHES COLOR OF POWER WIRING TO REGULATOR. (GREEN FOR -2.0V BLUE FOR -5.0V)



SEE SHEET 3

SEE BACK VIEW SHEET 2

COVER REMOVED

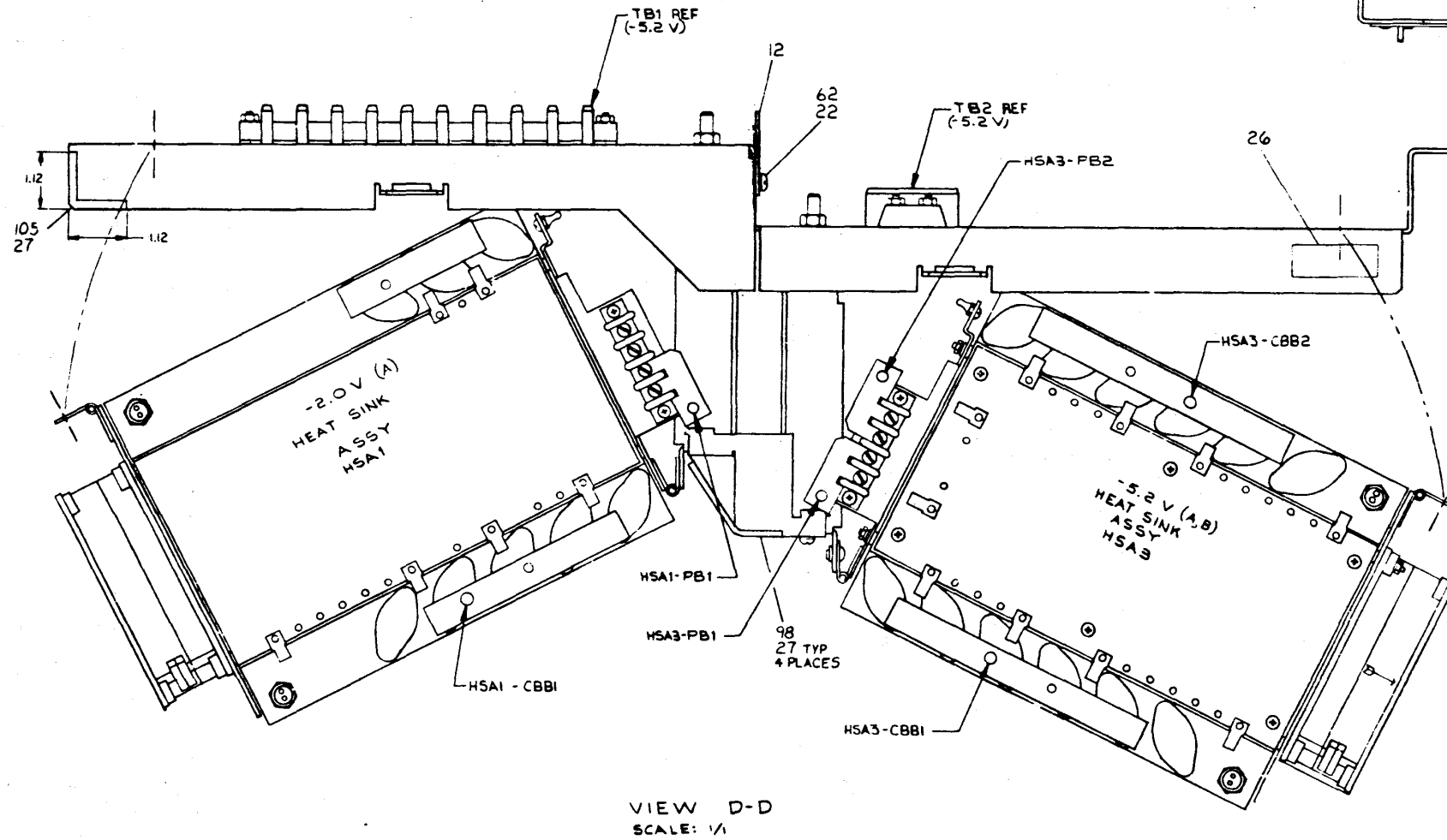
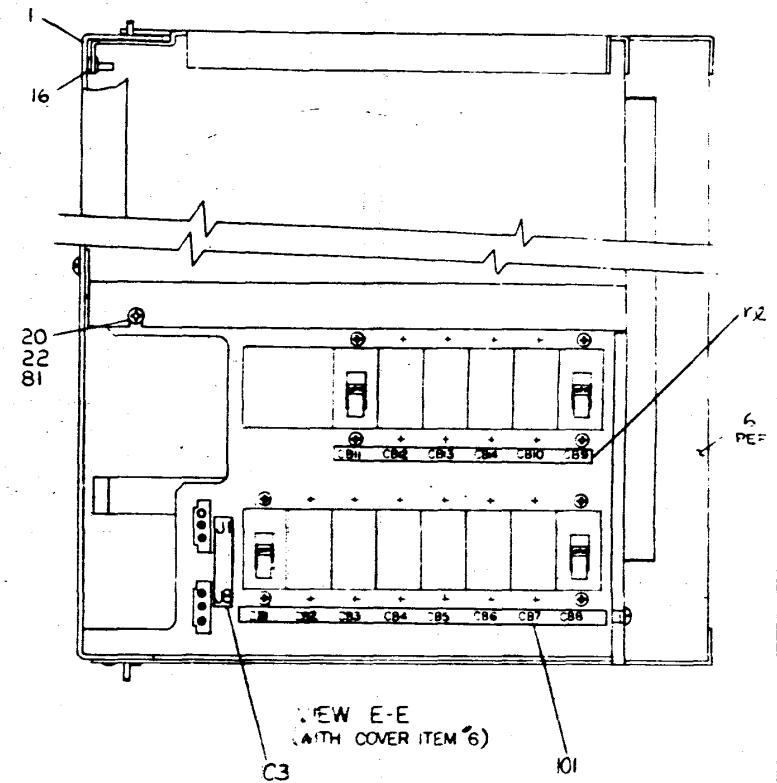
CAUTION: OFF SHEET PARTS LIST EXISTS

1	RESISTOR	100K	100K
2	RESISTOR	100K	100K
3	RESISTOR	100K	100K
4	RESISTOR	100K	100K
5	RESISTOR	100K	100K
6	RESISTOR	100K	100K
7	RESISTOR	100K	100K
8	RESISTOR	100K	100K
9	RESISTOR	100K	100K
10	RESISTOR	100K	100K
11	RESISTOR	100K	100K
12	RESISTOR	100K	100K
13	RESISTOR	100K	100K
14	RESISTOR	100K	100K
15	RESISTOR	100K	100K
16	RESISTOR	100K	100K
17	RESISTOR	100K	100K
18	RESISTOR	100K	100K
19	RESISTOR	100K	100K
20	RESISTOR	100K	100K
21	RESISTOR	100K	100K
22	RESISTOR	100K	100K
23	RESISTOR	100K	100K
24	RESISTOR	100K	100K
25	RESISTOR	100K	100K
26	RESISTOR	100K	100K
27	RESISTOR	100K	100K
28	RESISTOR	100K	100K
29	RESISTOR	100K	100K
30	RESISTOR	100K	100K
31	RESISTOR	100K	100K
32	RESISTOR	100K	100K
33	RESISTOR	100K	100K
34	RESISTOR	100K	100K
35	RESISTOR	100K	100K
36	RESISTOR	100K	100K
37	RESISTOR	100K	100K
38	RESISTOR	100K	100K
39	RESISTOR	100K	100K
40	RESISTOR	100K	100K
41	RESISTOR	100K	100K
42	RESISTOR	100K	100K
43	RESISTOR	100K	100K
44	RESISTOR	100K	100K
45	RESISTOR	100K	100K
46	RESISTOR	100K	100K
47	RESISTOR	100K	100K
48	RESISTOR	100K	100K
49	RESISTOR	100K	100K
50	RESISTOR	100K	100K
51	RESISTOR	100K	100K
52	RESISTOR	100K	100K
53	RESISTOR	100K	100K
54	RESISTOR	100K	100K
55	RESISTOR	100K	100K
56	RESISTOR	100K	100K
57	RESISTOR	100K	100K
58	RESISTOR	100K	100K
59	RESISTOR	100K	100K
60	RESISTOR	100K	100K
61	RESISTOR	100K	100K
62	RESISTOR	100K	100K
63	RESISTOR	100K	100K
64	RESISTOR	100K	100K
65	RESISTOR	100K	100K
66	RESISTOR	100K	100K
67	RESISTOR	100K	100K
68	RESISTOR	100K	100K
69	RESISTOR	100K	100K
70	RESISTOR	100K	100K
71	RESISTOR	100K	100K
72	RESISTOR	100K	100K
73	RESISTOR	100K	100K
74	RESISTOR	100K	100K
75	RESISTOR	100K	100K
76	RESISTOR	100K	100K
77	RESISTOR	100K	100K
78	RESISTOR	100K	100K
79	RESISTOR	100K	100K
80	RESISTOR	100K	100K
81	RESISTOR	100K	100K
82	RESISTOR	100K	100K
83	RESISTOR	100K	100K
84	RESISTOR	100K	100K
85	RESISTOR	100K	100K
86	RESISTOR	100K	100K
87	RESISTOR	100K	100K
88	RESISTOR	100K	100K
89	RESISTOR	100K	100K
90	RESISTOR	100K	100K
91	RESISTOR	100K	100K
92	RESISTOR	100K	100K
93	RESISTOR	100K	100K
94	RESISTOR	100K	100K
95	RESISTOR	100K	100K
96	RESISTOR	100K	100K
97	RESISTOR	100K	100K
98	RESISTOR	100K	100K
99	RESISTOR	100K	100K
100	RESISTOR	100K	100K

FIRST USED ON OP-1000000		QTY.	DESCRIPTION	PART NO.	ITEM NO.
KL10					
DIGITAL					
REGULATED POWER SUPPLY					
PARTS LIST					
D-JA-KL10-0-0					
SCALE 1/8"					
SHEET 1 OF 4					
MR					

WIRE TABLE							WIRE TABLE										
ITEM NO	DESCRIPTION	FROM POINT	CONNECTION	TERM	POINT	CONNECTION	TERM	REMARKS	ITEM NO	DESCRIPTION	FROM POINT	CONNECTION	TERM	POINT	CONNECTION	TERM	REMARKS
28	10								28								
29	10								29								
30	10								30								
31	10								31								
32	10								32								
33	10								33								
34	10								34								
35	10								35								
36	10								36								
37	10								37								
38	10								38								
39	10								39								
40	10								40								
41	10								41								
42	10								42								
43	10								43								
44	10								44								
45	10								45								
46	10								46								
47	10								47								
48	10								48								
49	10								49								
50	10								50								
51	10								51								
52	10								52								
53	10								53								
54	10								54								
55	10								55								
56	10								56								
57	10								57								
58	10								58								
59	10								59								
60	10								60								
61	10								61								
62	10								62								
63	10								63								
64	10								64								
65	10								65								
66	10								66								
67	10								67								
68	10								68								
69	10								69								
70	10								70								
71	10								71								
72	10								72								
73	10								73								
74	10								74								
75	10								75								
76	10								76								
77	10								77								
78	10								78								
79	10								79								
80	10								80								
81	10								81								
82	10								82								
83	10								83								
84	10								84								
85	10								85								
86	10								86								
87	10								87								
88	10								88								
89	10								89								
90	10								90								
91	10								91								
92	10								92								
93	10								93								
94	10								94								
95	10								95								
96	10								96								
97	10								97								
98	10								98								
99	10								99								
100	10								100								

CONTINUED ON SHEET 4



REV	DATE	BY	CHKD

TITLE	REGULATED POWER SUPPLY	NUMBER	H761-0-0	REV	J
SCALE	SHEET 3 OF 3	DIST			

THIS DRAWING AND INFORMATION CONTAINED HEREIN IS UNCLASSIFIED EXCEPT WHERE SHOWN OTHERWISE. IT IS THE PROPERTY OF THE UNITED STATES GOVERNMENT AND IS LOANED TO YOU BY THE MANUFACTURER OF THIS PRODUCT. IT IS TO BE USED ONLY FOR THE PURPOSES FOR WHICH IT IS LOANED AND IS NOT TO BE REPRODUCED OR TRANSMITTED IN ANY FORM OR BY ANY MEANS, ELECTRONIC OR MECHANICAL, INCLUDING PHOTOCOPYING, RECORDING, OR BY ANY INFORMATION STORAGE AND RETRIEVAL SYSTEM.

WIRE TABLE

ITEM NO.	DESCRIPTION	FROM			TO			REMARKS		
		AWG	COLOR	POINT	CONNECTION	WITH	POINT		CONNECTION	WITH
104	TWP	18	WHT	1	HARNESS	SOLD		CBI-5		TWP
			RED	2		SOLD		CBI-3		
			RED	3						
			BLK	4		J1-3		CHASSIS		TWP
			WHT	5		J1-2		ITEM#1		TWP
			YEL	6		J1-1				TWP
			YEL	7						
			YEL	8				SW4-1		
			BLK	9						TWP
			BLK	10				SW4-2		TWP
			YEL	11						
			YEL	12				SW3-1		
			BLK	13						TWP
			BLK	14				SW3-2		TWP
			BLK	15				SW2-2		
			YEL	16				SW2-1		TWP
			YEL	17						
			YEL	18				SW1-1		
			BLK	19						TWP
			BLK	20				SW1-2		TWP
			YEL	21						
			YEL	22				SW5-1		
			ELK	23						TWP
			BLK	24				SW5-2		TWP
			YEL	25						
			YEL	26				SW6-1		
			BLK	27						TWP
			BLK	28				SW6-2		TWP
			YEL	29						
			YEL	30				SW7-1		
			BLK	31						TWP
			BLK	32				SW7-2		TWP
			YEL	33						
			YEL	34				SW8-1		
			BLK	35						TWP
			BLK	36				SW8-2		TWP
			YEL	37						
			YEL	38				SW9-1		
			BLK	39						TWP
			BLK	40				SW9-2		TWP
			YEL	41						
			YEL	42				SW10-1		
			18	BLK	43					TWP
104	TWP	18	BLK	44	HARNESS			SW10-2		TWP

REV	DESCRIPTION

DIGITAL EQUIPMENT CORPORATION MAYNARD, MASSACHUSETTS			QUANTITY/VARIATION			
PARTS LIST						
MADE BY K. GAMACHE		CHECKED	SECTION			
DATE 10/8/74		DATE	ISSUED SECT.			
ENG <i>from Drew</i>		PROD				
DATE 11/14/74		DATE <i>Revised 11-19-74</i>				
ITEM NO.	DWG NO. / PART NO.	DESCRIPTION				
23	90J6025-1	SCR PHL PAN HD #6-32 X .62	4			
24	9006036-2	SCR, PHL FLAT HD #8-32 X .31	2			
25	9006560	NUT, KEPS #6-32	16			
26	9009255	LABEL, ADHESIVE BACK	1			
27	9007594	ADHESIVE, HYBOND 80	AR			
28	D-IA-7009546-0-0	HARNESS, SENSE	1			
29	E-IA-7010307-0-0	HARNESS A.C. FAN H761	1			
30	E-IA-7009547-0-0	HARNESS, OPEN SENSE	1			
31	E-IA-7009545-0-0	HARNESS DRIVE, SCR & SCR RTN	1			
32	9007237	BUSH. JUNC. TERM (BLK)	4			
33	9007236	BUSH. JUNC. TERM (GRN)	2			
34	9007234	BUSH. JUNC. TERM (ORG)	2			
35	9007238	TERMINAL INSERT	8			
36	9007880	CABLE TIE	21			
37	9009139	TERMINAL PIN	3			
38	9007302-10	TUBING, TEFLON CLEAR (#10 AWG)	1FT			
39	9107360-33	WIRE #18 AWG STRD (ORN)	1FT			
40	9107360-00	WIRE #18 AWG STRD (BLK)	1FT			
41	9107360-55	WIRE #18 AWG STRD (GRN)	1FT			
42	9107370-00	WIRE #14 AWG STRD (BLK)	5FT			
43	9107430-29	WIRE #18 AWG TWP RED & WHT	1FT			
44	9107765-55	WIRE #8 AWG STRD (GRN)	18FT			
TITLE REGULATED POWER SUPPLY		ASSY NO. E-UA-H761-β-β	SIZE CODE A PL	NUMBER H761-β-β	REV. J	ECO NO.
DEC FORM DEC 16-(325)-1031-N870 DRA 110		SHEET 2 OF 5		MR		

DIGITAL EQUIPMENT CORPORATION MAYNARD, MASSACHUSETTS			QUANTITY/VARIATION			
PARTS LIST						
MADE BY K. GAMACHE		CHECKED	SECTION			
DATE 10/8/74		DATE	ISSUED SECT.			
ENG <i>from Drew</i>		PROD				
DATE 11/14/74		DATE <i>Revised 11-19-74</i>				
ITEM NO.	DWG NO. / PART NO.	DESCRIPTION				
67	9006075	WASHER, FLAT	20			
68	5308754-3	21 POINT DECALS (NUMBERS)	1			
69	5308754-5	21 POINT DECALS (NUMBERS)	1			
70	5308754-7	21 POINT DECALS (NUMBERS)				
71	5308754-9	21 POINT DECALS (NUMBERS)				
72	5308754-11	21 POINT DECALS (NUMBERS)				
73	5308754-13	21 POINT DECALS (NUMBERS)				
74	5308754-15	21 POINT DECALS (NUMBERS)				
75	5308754-19	21 POINT DECALS (WHT/CLR)	1			
76	5308753-31	21 POINT DECALS (LETTERS)	1			
77	5308753-3	21 POINT DECALS (LETTERS)	1			
78	5308753-1	21 POINT DECALS (LETTERS)	1			
79	5308753-23	21 POINT DECALS (LETTERS)	1			
80	5308753-27	21 POINT DECALS (LETTERS)	1			
81	9006660	WASHER, FLAT #8	6			
82	5308754-5	21 POINT DECALS (NUMBERS)				
83	5308754-3	21 POINT DECALS (NUMBERS)				
84	5308754-5	21 POINT DECALS (NUMBERS)				
85	5308754-7	21 POINT DECALS (NUMBERS)				
86	5308754-9	21 POINT DECALS (NUMBERS)				
87	5308754-11	21 POINT DECALS (NUMBERS)				
88	5308754-13	21 POINT DECALS (NUMBERS)				
TITLE REGULATED POWER SUPPLY		ASSY NO. E-UA-H761-β-β	SIZE CODE A PL	NUMBER H761-β-β	REV. J	ECO NO.
DEC FORM DEC 16-(325)-1031-N870 DRA 110		SHEET 4 OF 5		MR		

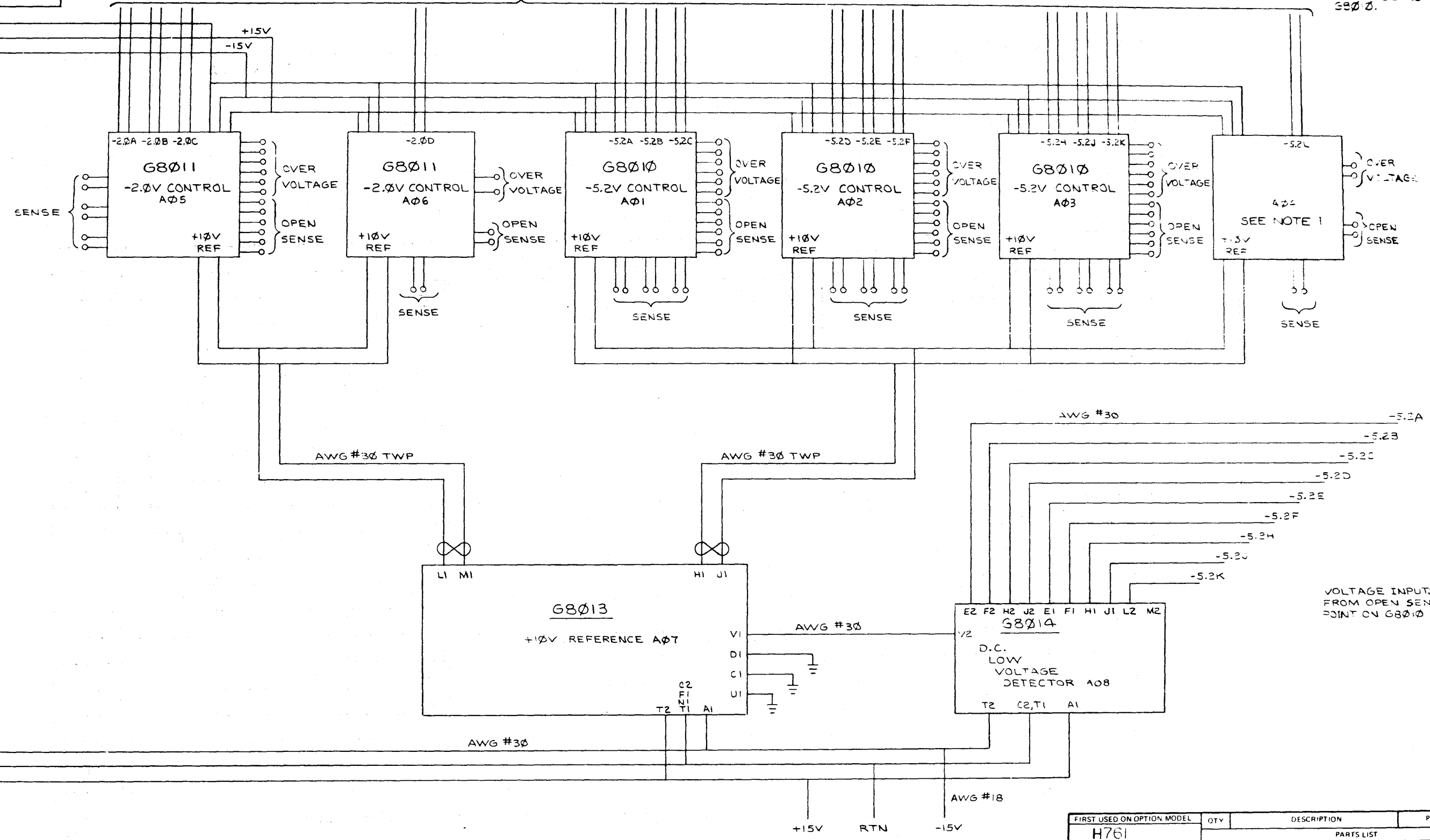
DIGITAL EQUIPMENT CORPORATION MAYNARD, MASSACHUSETTS			QUANTITY/VARIATION			
PARTS LIST						
MADE BY K. GAMACHE		CHECKED	SECTION			
DATE 10/8/74		DATE	ISSUED SECT.			
ENG <i>from Drew</i>		PROD				
DATE 11/14/74		DATE <i>Revised 11-19-74</i>				
ITEM NO.	DWG NO. / PART NO.	DESCRIPTION				
1	E-IA-7410991-0-0	CHASSIS, REG P.S.	1			
2	E-IA-7410993-0-0	SUPPORT, CIRCUIT BREAKER	1			
3	E-AD-7009405-0-0	REG. HEAT SINK ASSY (-5.2V)	3			
4	E-AD-7009404-0-0	REG. HEAT SINK ASSY (-2.0V)	2			
5	D-IA-7411571-1-0	SUPPORT REG. ASSY	2			
6	E-IA-7010162-0-0	COVER ASSY	1			
7	C-AD-7010100-0-0	WIRED ASSY REG. POWER SUPPLY	1			
8	B-MD-7411529-0-0	CONN BUSS BAR	1			
9	C-IA-7411554-1-0	STRIP, BUSSING RETURN	4			
10	C-MD-7411531-0-0	BUSS BAR NO. 1 -12V	1			
11	C-MD-7411532-0-0	BUSS BAR NO. 2 -12V	1			
12	B-MD-7412425-0-0	CONN PINS PROTECTION PLATE	1			
13	1211498	CIRCUIT BREAKER	14			
14	1211499	TERMINAL BLOCK, 9 POSITION	4			
15	9007048	GROUND	7FT			
16	9007014	GROMMET 1/8 I.D.	1			
17	9006020-1	SCR. PHL PAN HD #6-32 X .25	28			
18	9006633	WASH. INT TOOTH LOCK #6	40			
19	9008203	NUT, KEPS 1/4-20	20			
20	9006037-1	SCR, PHL PAN HD #8-32 X .38	26			
21	9006563	NUT, KEPS #8-32	1			
22	9006634	WASH. INT TOOTH, LOCK #8	23			
TITLE REGULATED POWER SUPPLY		ASSY NO. E-UA-H761-β-β	SIZE CODE A PL	NUMBER H761-β-β	REV. J	ECO NO.
DEC FORM DEC 16-(325)-1031-N870 DRA 110		SHEET 1 OF 5		MR		

DIGITAL EQUIPMENT CORPORATION MAYNARD, MASSACHUSETTS			QUANTITY/VARIATION			
PARTS LIST						
MADE BY K. GAMACHE		CHECKED	SECTION			
DATE 10/8/74		DATE	ISSUED SECT.			
ENG <i>from Drew</i>		PROD				
DATE 11/14/74		DATE <i>Revised 11-19-74</i>				
ITEM NO.	DWG NO. / PART NO.	DESCRIPTION				
45	9107765-66	WIRE, #8 AWG STRD (BLU)	38 FT			
46	1212086-01	LUG, SOLDERLESS, RT ANGLE #8 AWG	8			
47	1211515	LUG, SOLDERLESS, #8 AWG	48			
48	9007031	CABLE TIE	63			
49	D-IA-7411571-2-0	SUPPORT, REG. ASSY	2			
50	9006021-4	SCR, SLOTTED BIND HD #6-32 X .31	8			
51	9007928	LUG, SOLDERLESS	8			
52	9107560-03	WIRE BUSS #18	5 FT			
53	9107278-00	SLEEVING BLK #18	1 FT			
54	1209379-00	TERMINAL, SET CONTACT	2			
55	1209350-01	CONN, 3 SKT HOUSING	1			
56	9006240-9	SCR, HEX HD PLAIN 1/4-20 X .38	28			
57	9006724	WASHER, EXT TOOTH LKG 1/4	28			
58	A-DC-7409873-0-0	DECALS, POWER CONN.	1			
59	9007033	TIE, CABLE	5			
60	5308754-3	21 POINT DECALS (LETTERS)				
61	5308754-5	21 POINT DECALS (NUMBERS)				
62	9006035-1	SCR, PHL PAN HD #8-32 X .25	2			
63	G8010-3	-5.2V CONTROL	3			
64	G8011-1	-2.0V CONTROL	2			
65	D-CS-68013-0-1	+10V REFERENCE	1			
66	D-CS-G8014-0-1	D.C. LOW VOLTAGE DETECTOR	1			
TITLE REGULATED POWER SUPPLY		ASSY NO. E-UA-H761-β-β	SIZE CODE A PL	NUMBER H761-β-β	REV. J	ECO NO.
DEC FORM DEC 16-(325)-1031-N870 DRA 110		SHEET 3 OF 5		MR		

THIS DRAWING AND SPECIFICATIONS HEREIN ARE THE PROPERTY OF DIGITAL EQUIPMENT CORPORATION AND SHALL NOT BE REPRODUCED OR COPIED OR USED IN WHOLE OR IN PART AS THE BASIS FOR THE MANUFACTURE OR SALE OF ITEMS WITHOUT WRITTEN PERMISSION. COPYRIGHT © 1973 DIGITAL EQUIPMENT CORPORATION.

SCR & DRIVE TO HEAT SINK ASSEMBLY

NOTES:
1. WIRING TO A24 FOR SPARE G8010. DO NOT PLUG IN G8010.



VOLTAGE INPUTS TO G8014 FROM OPEN SENSE POINT ON G8010

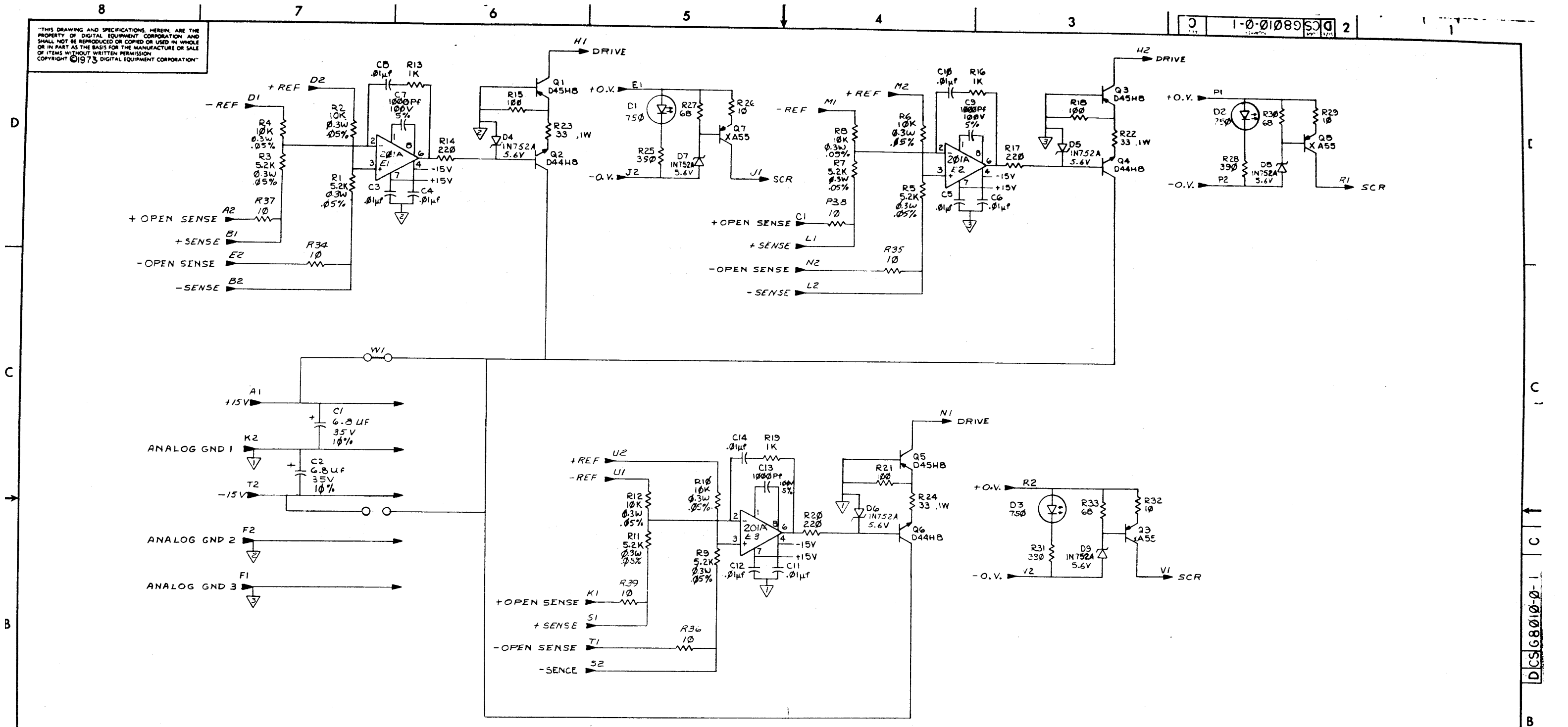
REVISIONS

CHK	CHANGE TO	REV
...	H761-0-00001 A	...
...	J. DREW	7-25-75

FIRST USED ON OPTION MODEL H761	QTY	DESCRIPTION	PART NO.	ITEM NO.
UNLESS OTHERWISE SPECIFIED DIMENSION IN INCHES				
TOLERANCES				
DECIMALS	ANGLES	DATE		
xxx = .005	0 30'	DATE	2/28/73	
xx = .02		DATE	4/15/73	
x = .1		DATE	4/15/73	
REMOVE BURRS AND BREAK SHARP CORNERS SURFACE QUALITY 1				
MATERIAL				
NEXT HIGHER ASSY.				
FINISH				
SCALE				
SHEET 1 OF 1				
TITLE CONTROL LOGIC			SIZE CODE D I C	NUMBER H761-0-1
			REV. A	

"THIS DRAWING AND SPECIFICATIONS, HEREIN, ARE THE PROPERTY OF DIGITAL EQUIPMENT CORPORATION AND SHALL NOT BE REPRODUCED OR COPIED OR USED IN WHOLE OR IN PART AS THE BASIS FOR THE MANUFACTURE OR SALE OF ITEMS WITHOUT WRITTEN PERMISSION. COPYRIGHT ©1973 DIGITAL EQUIPMENT CORPORATION"

1-0-01089 SCS 2



NOTES: 1. UNLESS OTHERWISE SPECIFIED:
 A. RESISTORS ARE 1/4W ±5% RESISTANCE IN OHMS.
 B. CAPACITORS ARE 50V, ±20%

REVISIONS		
CHK	CHANGE NO	REV
	G8010-00001	B
	G8010-00003	C
J. DREW		22 Nov 76
J. DREW		Dec 76

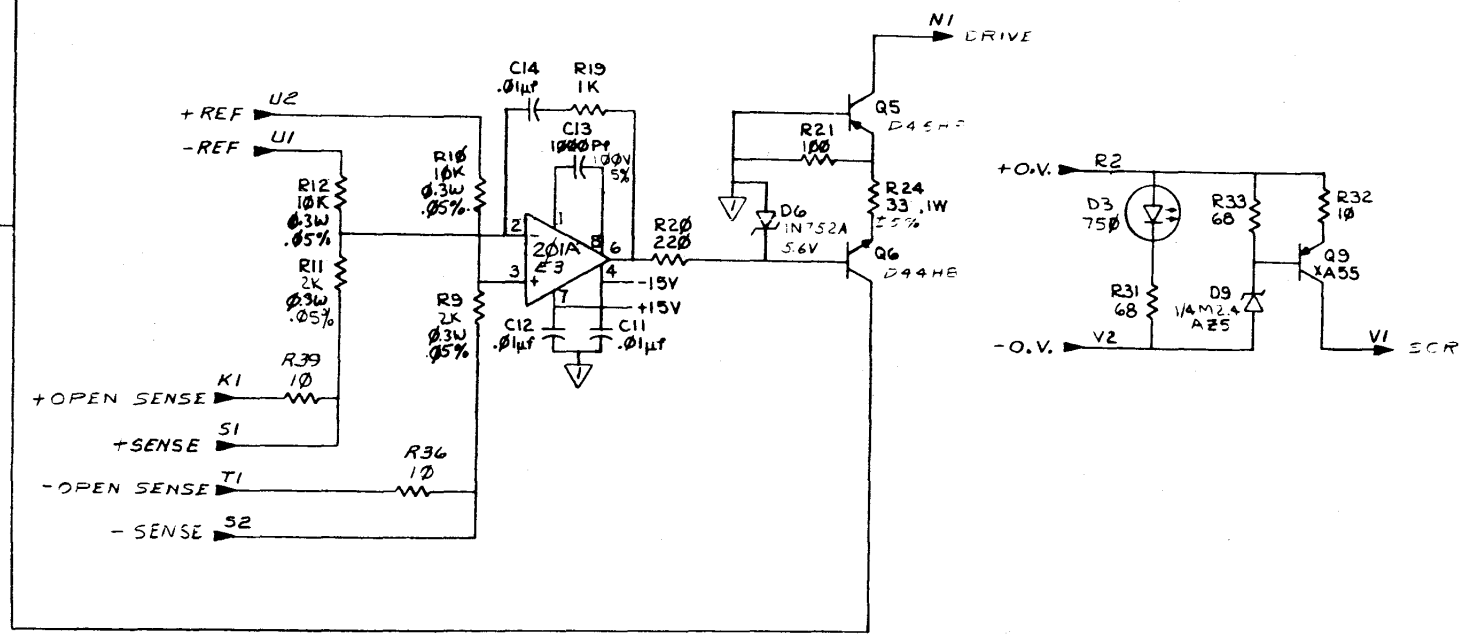
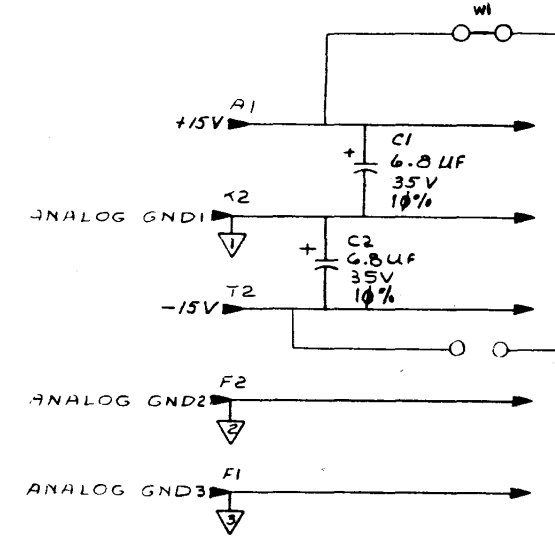
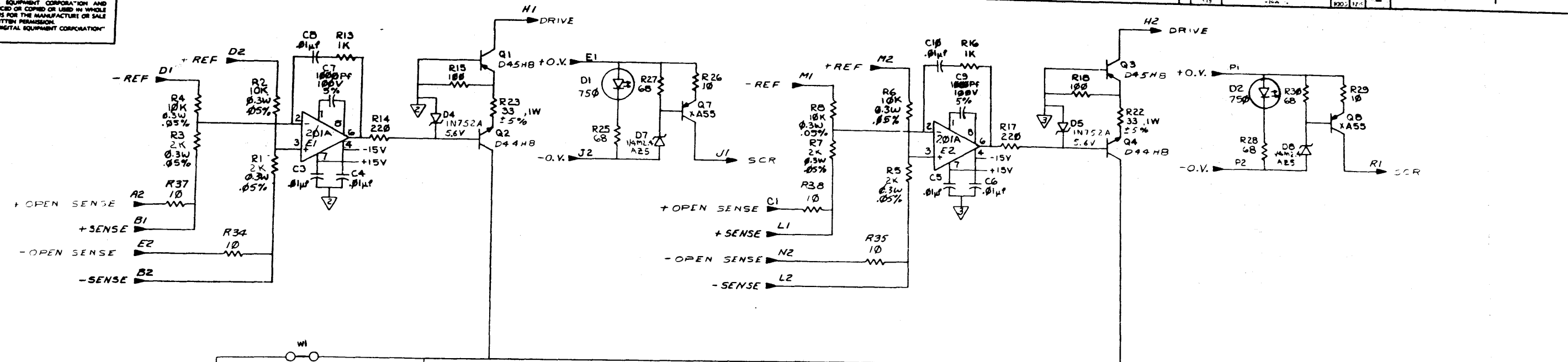
DRN. B. BALENTINE	DATE 1-5-73	TITLE	FIRST USED ON OPTION MODEL KL10
CHKD. F. CANBERRY	DATE 9-20-73		NEXT HIGHER ASSEMBLY SIZE CODE
ENG. J. DREW	DATE 7-17-74		NUMBER
PROJ. ENG. J. DREW	DATE 7-17-74		REV. C
DATE 7-17-74			

-5.2 VOLT CONTROL

DCS G8010-0-1

"THIS DRAWING AND SPECIFICATIONS HEREIN ARE THE PROPERTY OF DIGITAL EQUIPMENT CORPORATION AND SHALL NOT BE REPRODUCED OR COPIED OR USED IN WHOLE OR IN PART AS THE BASIS FOR THE MANUFACTURE OR SALE OF ITEMS WITHOUT WRITTEN PERMISSION. COPYRIGHT © 1973 DIGITAL EQUIPMENT CORPORATION"

1-0-1108950 2



NOTES: 1. UNLESS OTHERWISE SPECIFIED:
 A. RESISTANCE IS IN OHMS
 B. ALL RESISTORS ARE 1/4W, ±5%
 C. ALL CAPACITORS ARE 50V, ±20%

REVISIONS		
CHK	CHANGE NO	REV
	G8011-00001	B
	G8011-00003	C

P. DREW 19 NOV 76
 J. DREW
 for Drew 1 Dec 76

DRN	DUSSAN	DATE	11-73
CHRD	P. BOSSMAN	DATE	10-73
ENG	J. DREW	DATE	7-17-73
PROJ ENG	J. DREW	DATE	1-1-73
PROD	J. RECK	DATE	7-17-73

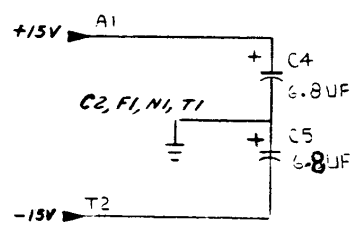
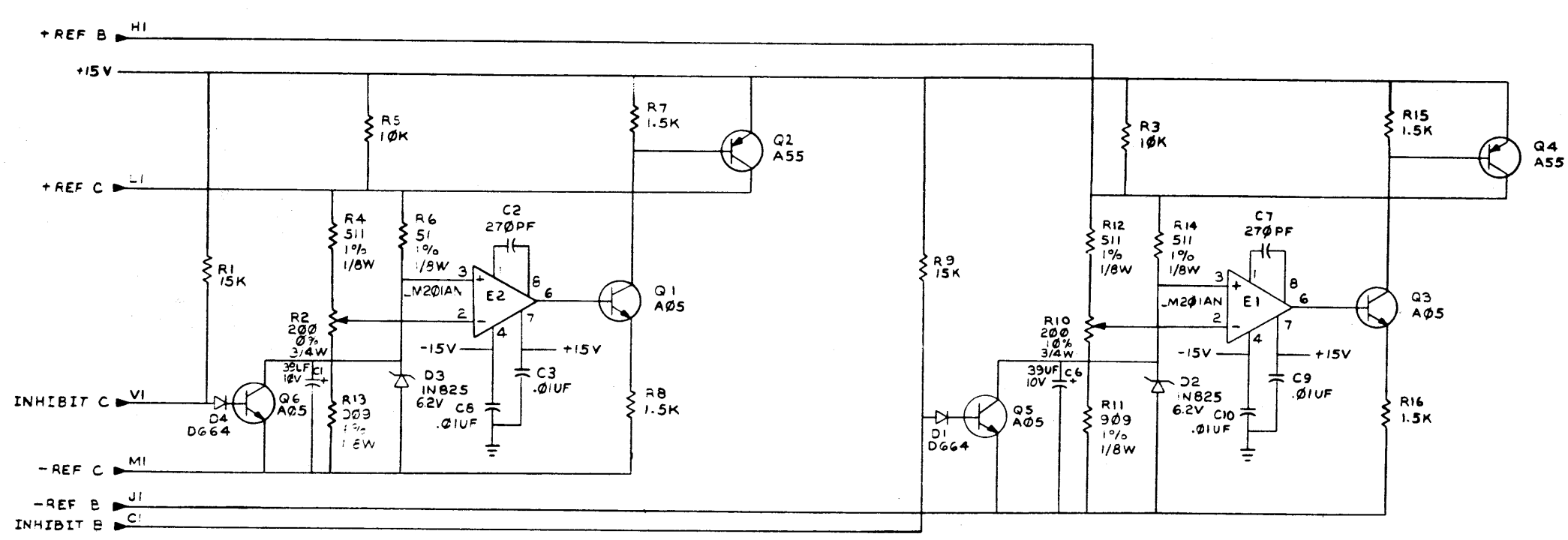
FIRST USED ON	KL10
NEXT HIGHER ASSEMBLY	
SIZE CODE	NUMBER
DCS G8011-0-1	C

-2 VOLT CONTROL

SHEET 1 OF 1

DCS G8011-0-1

THIS DRAWING AND SPECIFICATIONS HEREIN ARE THE PROPERTY OF DIGITAL EQUIPMENT CORPORATION AND SHALL NOT BE REPRODUCED OR COPIED OR USED IN WHOLE OR IN PART AS THE BASIS FOR THE MANUFACTURE OR SALE OF ITEMS WITHOUT WRITTEN PERMISSION. COPYRIGHT © 1975, DIGITAL EQUIPMENT CORPORATION

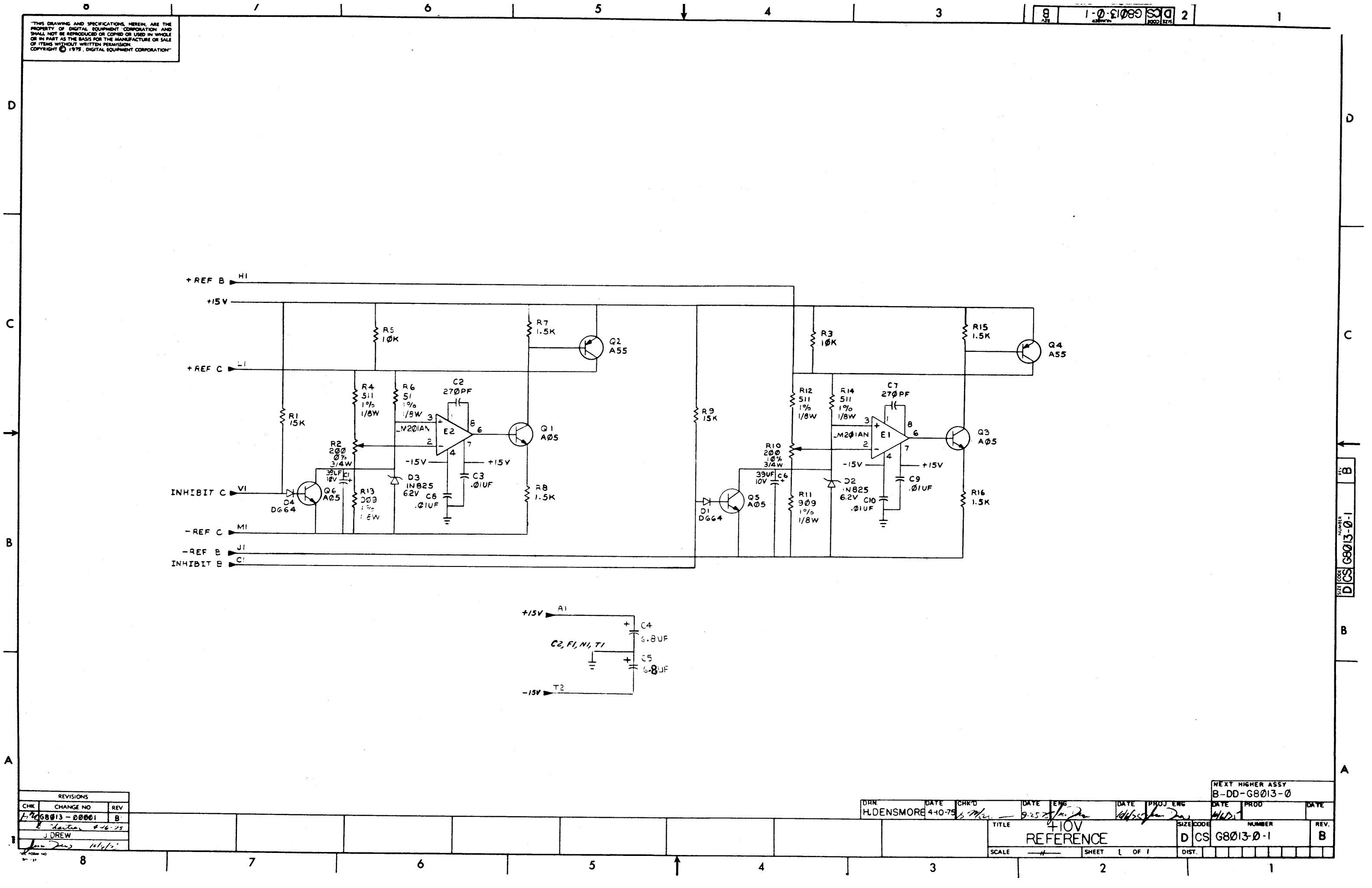


REVISIONS		
CHK	CHANGE NO	REV
1	G8013-00001	B
J DREW		

DRN	DATE	CHK'D	DATE	ENG	DATE	PROJ ENG	DATE	PROD	DATE
H DENSMORE	4-10-75	5/1/75	9-25-75	1/1/75	1/1/75				

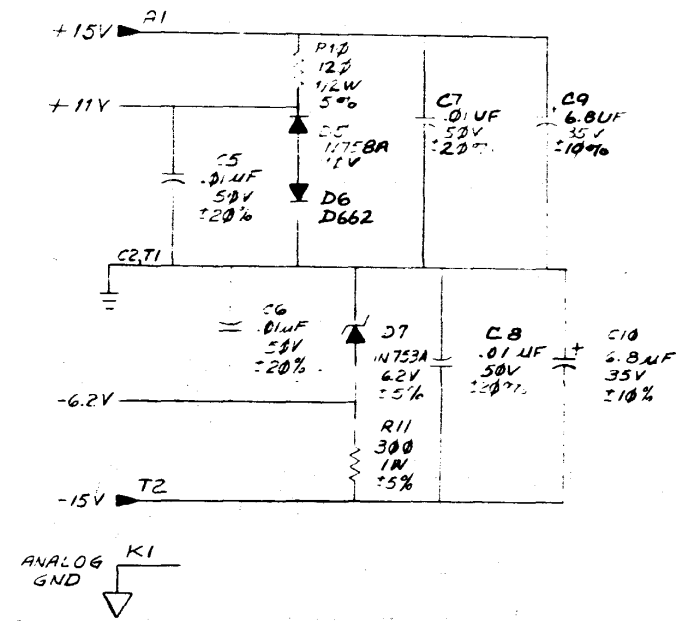
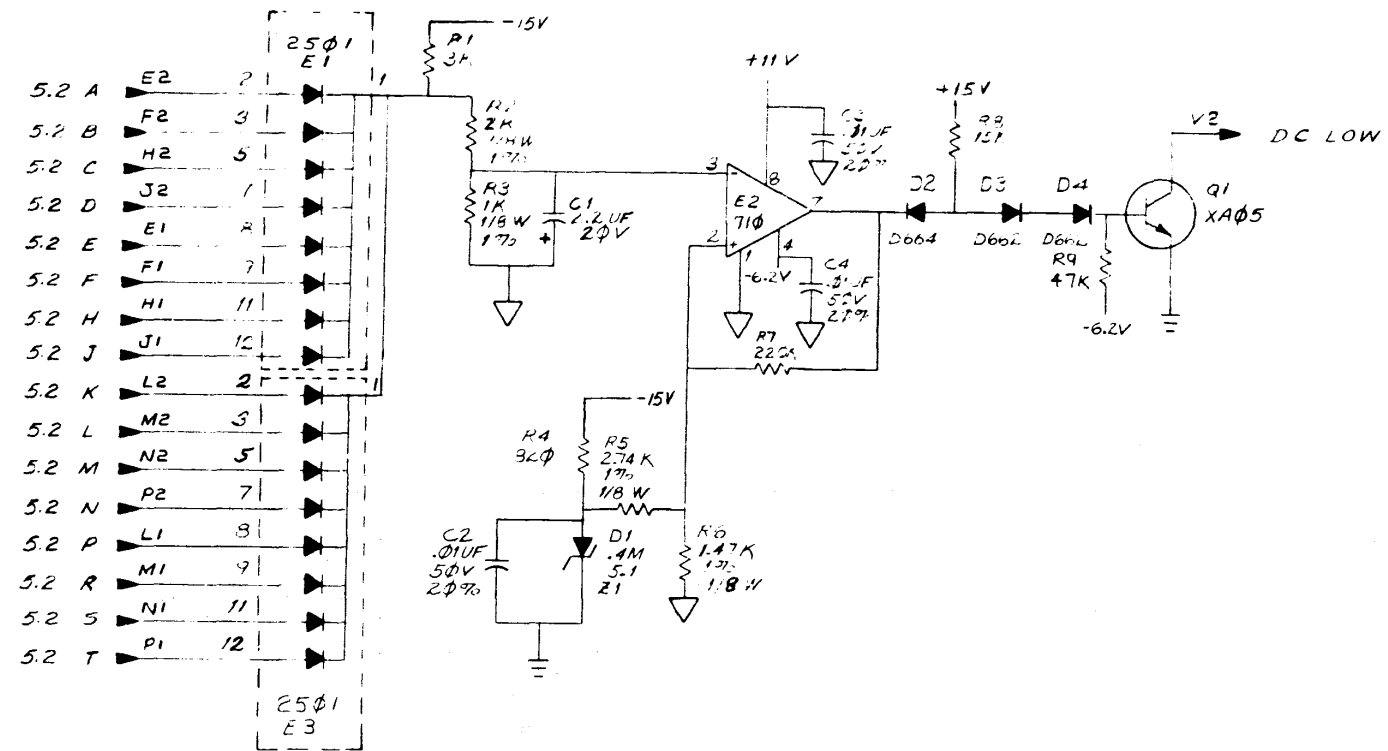
TITLE	SIZE CODE	NUMBER	REV.
+10V REFERENCE	D CS	G8013-0-1	B
SCALE	SHEET	OF	DIST.
	1	1	

NEXT HIGHER ASSY
B-DD-G8013-0



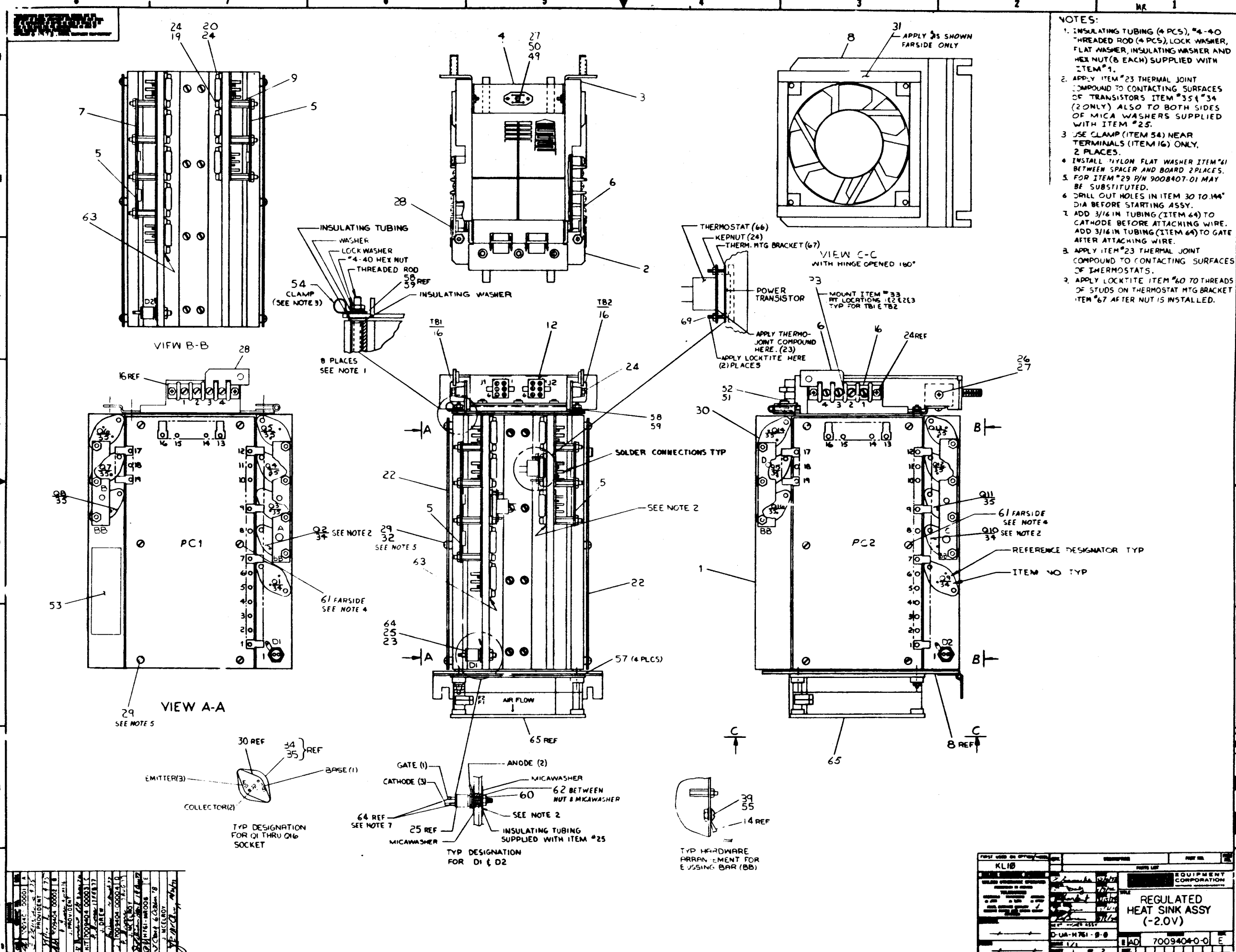
THIS DRAWING AND SPECIFICATIONS, HEREIN ARE THE PROPERTY OF DIGITAL EQUIPMENT CORPORATION AND SHALL NOT BE REPRODUCED OR COPIED OR USED IN WHOLE OR IN PART AS THE BASIS FOR THE MANUFACTURE OR SALE OF ITEMS WITHOUT WRITTEN PERMISSION. COPYRIGHT © 1975, DIGITAL EQUIPMENT CORPORATION.

8 1-0-1080 SQD 2 1



REVISIONS		
CHK	CHANGE NO	REV
J. DREW	68014-00001	B
		1/2/75

DRN. B. NICHOL	DATE 7-23-75	ENG. JIM DREW
CHK'D	DATE 10/2/73	EXT HIGHER ASSY. B-00 68014-0
TITLE LOW VOLTAGE DETECTOR		SIZE CODE DCS
SCALE		NUMBER 68014-0-1
SHEET 1 OF 1		REV B



- NOTES:**
1. INSULATING TUBING (4 PCS), #4-40 THREADED ROD (4 PCS), LOCK WASHER, FLAT WASHER, INSULATING WASHER AND HEX NUT (8 EACH) SUPPLIED WITH ITEM #1.
 2. APPLY ITEM #23 THERMAL JOINT COMPOUND TO CONTACTING SURFACES OF TRANSISTORS ITEM #35 & #34 (2 ONLY) ALSO TO BOTH SIDES OF MICA WASHERS SUPPLIED WITH ITEM #25.
 3. USE CLAMP (ITEM 54) NEAR TERMINALS (ITEM 16) ONLY, 2 PLACES.
 4. INSTALL NYLON FLAT WASHER ITEM #61 BETWEEN SPACER AND BOARD 2 PLACES.
 5. FOR ITEM #29 P/N 9008407-01 MAY BE SUBSTITUTED.
 6. DRILL OUT HOLES IN ITEM 30 TO .144" DIA BEFORE STARTING ASSY.
 7. ADD 3/16 IN TUBING (ITEM 64) TO CATHODE BEFORE ATTACHING WIRE. ADD 3/16 IN TUBING (ITEM 64) TO GATE AFTER ATTACHING WIRE.
 8. APPLY ITEM #23 THERMAL JOINT COMPOUND TO CONTACTING SURFACES OF THERMOSTATS.
 9. APPLY LOCKTITE ITEM #60 TO THREADS OF STUDS ON THERMOSTAT MTG BRACKET ITEM #67 AFTER NUT IS INSTALLED.

1	INSULATING TUBING	4
2	LOCK WASHER	4
3	FLAT WASHER	4
4	INSULATING WASHER	4
5	HEX NUT	8
6	NYLON FLAT WASHER	2
7	CLAMP	2
8	TERMINALS	16
9	POWER TRANSISTOR	2
10	THERMISTOR	2
11	THERM. MTG BRACKET	2
12	PCB	2
13	TERMINALS	16
14	TERMINALS	16
15	TERMINALS	16
16	TERMINALS	16
17	TERMINALS	16
18	TERMINALS	16
19	TERMINALS	16
20	TERMINALS	16
21	TERMINALS	16
22	TERMINALS	16
23	THERMAL JOINT COMPOUND	2
24	KEPNUT	2
25	MICA WASHER	2
26	TERMINALS	16
27	TERMINALS	16
28	TERMINALS	16
29	TERMINALS	16
30	TERMINALS	16
31	TERMINALS	16
32	TERMINALS	16
33	TERMINALS	16
34	TERMINALS	16
35	TERMINALS	16
36	TERMINALS	16
37	TERMINALS	16
38	TERMINALS	16
39	TERMINALS	16
40	TERMINALS	16
41	TERMINALS	16
42	TERMINALS	16
43	TERMINALS	16
44	TERMINALS	16
45	TERMINALS	16
46	TERMINALS	16
47	TERMINALS	16
48	TERMINALS	16
49	TERMINALS	16
50	TERMINALS	16
51	TERMINALS	16
52	TERMINALS	16
53	TERMINALS	16
54	TERMINALS	16
55	TERMINALS	16
56	TERMINALS	16
57	TERMINALS	16
58	TERMINALS	16
59	TERMINALS	16
60	LOCKTITE	2
61	NYLON FLAT WASHER	2
62	MICA WASHER	2
63	TERMINALS	16
64	INSULATING TUBING	2
65	TERMINALS	16
66	THERMISTOR	2
67	THERM. MTG BRACKET	2
68	TERMINALS	16
69	TERMINALS	16
70	TERMINALS	16

KL10	REGULATED HEAT SINK ASSY (-2.0V)
7009404-0-0	E

WIRE TABLE		WIRE TABLE									
ITEM NO.	DESCRIPTION	FROM	TO	REMARKS	ITEM NO.	DESCRIPTION	FROM	TO	REMARKS		
NO.	AWG.	COLOR	CONN WITH	CONN WITH	NO.	AWG.	COLOR	CONN WITH	CONN WITH		
40	14	GRN	PC1-2	37 Q1-3	SOLD	40	14	GRN	PC2-2	37 Q9-3	SOLD
			PC1-3	37 Q2-3	SOLD				PC2-3	37 Q10-3	SOLD
			Q3-1	SOLD					Q11-1	SOLD	
			Q5-1	SOLD					Q12-1	SOLD	
			Q7-1	SOLD					Q13-1	SOLD	
			Q8-1	SOLD					Q14-1	SOLD	
41	18	GRN	PC1-4	37 D1-1	SOLD	41	18	GRN	PC2-4	37 D2-1	SOLD
46	18	BRN		J1-2	12	43	18	RED		J2-2	12
40	14	GRN	PC1-5	37 D1-3	SOLD	40	14	GRN	PC2-5	37 D2-3	SOLD
40	14	GRN	PC1-6	37 Q1-2	SOLD	40	14	GRN	PC2-6	37 Q9-2	SOLD
41	18	GRN	PC1-7	37 Q2-1	SOLD	41	18	GRN	PC2-7	37 Q10-1	SOLD
47	18	GRY/BRN		J1-1	12	42	18	GRY/RED		J2-1	12
40	14	GRN	PC1-8	37 Q2-2	SOLD	40	14	GRN	PC2-8	37 Q10-2	SOLD
			PC1-9	Q1-1					PC2-9	Q9-1	
			PC1-10	Q3-3					PC2-10	Q11-3	
			PC1-11	Q4-3					PC2-11	Q12-3	
			PC1-12	Q5-3					PC2-12	Q13-3	
			PC1-17	Q6-3					PC2-17	Q14-3	
			PC1-18	Q7-3					PC2-18	Q15-3	
			PC1-19	Q8-3	SOLD				PC2-19	Q16-3	SOLD
			PC1-13	TB1-4	36				PC2-13	TB2-1	36
			PC1-14	TB1-3					PC2-14	TB2-2	
			PC1-15	TB1-2					PC2-15	TB2-3	
40	14	GRN	PC1-16	37 TB1-1	36	40	14	GRN	PC2-16	37 TB2-4	36
				SOLD					PC2-1	56 DE-2	SOLD
44	14	BLK	PC1-1	56 D1-2	12	44	14	BLK		J2-3	12
45	10	RED	BB-A	14 39 BB-B	14 39						
45	10	RED	BB-C	14 39 BB-D	14 39						

REV	DATE	BY

7009404-0-0 E

THIS DRAWING IS THE PROPERTY OF THE U.S. GOVERNMENT. IT IS TO BE REPRODUCED AS SHOWN AND NOT TO BE REPRODUCED IN ANY MANNER OR BY ANY MEANS, ELECTRONIC OR MECHANICAL, INCLUDING PHOTOCOPYING, RECORDING, OR BY ANY INFORMATION STORAGE AND RETRIEVAL SYSTEM.

WIRE TABLE						WIRE TABLE									
ITEM NO.	DESCRIPTION	AWG.	COLOR	FROM CONN.	TO WITH	REMARKS	ITEM NO.	DESCRIPTION	AWG.	COLOR	FROM CONN.	TO WITH	REMARKS		
30		14	GRY	PC1-26	30	01-3	SOLD	30		14	GRY	PC2-26	30	019-3	SOLD
				PC1-27	30							PC2-27	30	020-3	
				03-1								021-1			
				05-1								023-1			
30		14	GRY	PC1-22	36	01-3	SOLD	30		14	GRY	PC2-25	30	03-3	SOLD
42		18	Y18	PC1-22	36	J1-5	12	42		18	Y18	PC2-26	36	J2-2	12
41			GRY	PC1-26	36	01-1	SOLD	41			GRY			03-1	SOLD
45			GRY/Y18	PC1-23	36	J1-4	12	45			GRY/Y18			J2-1	12
41			GRY			02-1	SOLD	41			GRY	PC2-23	36	020-1	SOLD
41		18		02-1		01-2		41		18		020-1		019-2	
30		14		PC1-22	30	Q3-2		30		14		PC2-22	30	Q21-2	
				PC1-34		Q2-2						PC2-24		J20-2	
				PC1-21		01-1						PC2-21		019-1	
				PC1-28		Q3-3						PC2-28		021-3	
				PC1-19		04-3						PC2-19		022-3	
				PC1-18		05-3						PC2-18		023-3	
30			GRY	PC1-17	30	00-3	SOLD	30			GRY	PC2-17	30	024-3	SOLD
				04-0		00-0						00-0		J2-0	
30			GRY	TB1-1	14	PC1-16	33	30			GRY	TB2-1	14	PC2-16	33
30			GRY	TB1-2	14	PC1-15	33	30			GRY	TB2-2	14	PC2-15	33
30			GRN	TB1-3	14	PC1-14	33	30			GRN	TB2-3	14	PC2-14	33
				TB1-4	14	PC1-13	33					TB2-4	14	PC2-13	33
				PC1-1	30	07-3	SOLD					PC2-1	30	013-3	SOLD
				PC1-2	30	08-3						PC2-2	30		
				08-3		SOLD								014-3	
				010-1								015-1		SOLD	
														018-1	
				012-1		SOLD						017-1		SOLD	
30		14	GRN	PC1-4	30	02-3	SOLD	30		14	GRN	PC2-4	30	04-3	SOLD
44		18	GRY	PC1-3	36	J1-2	12	44		18	GRY	PC2-3	36	J2-5	12
43			GRN			02-1	SOLD	43			GRN			04-1	SOLD
40			GRY/GRN	PC1-8	30	J1-1	12	40			GRY/GRN	PC2-8	30	J2-4	12
43			GRN			00-1	SOLD	43			GRN			014-1	SOLD
43		18		00-1		07-2		43		18		013-2		SOLD	
30		14		PC1-7	30	Q9-2		30		14		PC2-5	30	Q14-2	
				PC1-5		Q8-2						PC2-7		Q15-2	
				PC1-8		07-1						PC2-8		013-1	
				PC1-9		09-3						PC2-9		015-3	
				PC1-10		010-3						PC2-10		018-3	
				PC1-11		011-3						PC2-11		017-3	
30			GRN	PC1-12	30	012-3	SOLD	30			GRN	PC2-12	30	018-3	SOLD
40			BLK	PC1-30	33	D2-2	SOLD	40			BLK	PC2-30	33	D4-2	SOLD
						J1-3	12							J2-6	12
				PC1-29	33	D1-2	SOLD							D3-2	SOLD
40		14	BLK			J1-6	12	40		14	BLK	PC2-29	33	J2-3	12

REV.	DATE	BY

DIGITAL EQUIPMENT CORPORATION
MAYNARD, MASSACHUSETTS
PARTS LIST

MADE BY K. GAMACHE
DATE 12/13/73
ENG J. DREW
DATE 9/19/74
CHECKED D. HEALY
DATE 1/7/74
PROD R. O'BRIEN
DATE 10/9/74
SECTION 1
ISSUED SECT. 1

ITEM NO.	DWG NO. / PART NO.	DESCRIPTION	QUANTITY / VARIATION
REF	D-CS-H761-Ø-1	CIRCUIT SCHEMATIC H761	
1	1211480	HEAT SINK	x
2	D-IA-7411262-0-0	MTG. PLATE, HEAT SINK	1
3	D-IA-7411000-0-0	SUPPORT, HEAT SINK	1
4	C-IA-7410999-0-0	RET. BRKT., HEAT SINK	1
5	C-IA-7411136-3-0	BUSSING STRIP NO. 1	4
6	C-IA-7411137-1-0	BUSSING STRIP NO. 2	2
7	C-IA-7411137-2-0	BUSSING STRIP NO. 2	2
8	E-IA-7411001-0-0	BRACKET, FAN	1
9	B-MD-7411295-0-0	STANDOFF, BUSSING	20
10	1209350-06	CONN., 6 SKT HOUSING	2
11			
12	1209379-02	SOCKET, MAT-N-LOCK	12
13	1210930-01	FAN, SUPER BOXER	1
14	9007926-01	CONN. CRIMP SOLDERLESS YEL #10	8
15	9007031	CABLE TIE 3.75 LG X .09 WIDE	7
16	1203346	TERM BLOCK, 4 TERM	2
17			
18			
19	9009648-8	SCR, SOCKET HD CAP #6-32 x 1.38	20
20	9006331-8	SCR, SOCKET HD CAP #6-32 x .62	26
21			

TITLE REGULATED HEAT SINK ASSY
-5.2V
ASSY NO. D-UA-7009405-0-0
SIZE CODE A PL
NUMBER 7009405-0-0
REV. ECO NO. E H761-IMR006
SHEET 1 OF 4

MR

DIGITAL EQUIPMENT CORPORATION
MAYNARD, MASSACHUSETTS
PARTS LIST

MADE BY K. GAMACHE
DATE 12/13/73
ENG J. DREW
DATE 10/9/74
CHECKED D. HEALY
DATE 1/7/74
PROD R. O'BRIEN
DATE 10/9/74
SECTION 1
ISSUED SECT. 1

ITEM NO.	DWG NO. / PART NO.	DESCRIPTION	QUANTITY / VARIATION
22	D-CS-5410665-0-0	-5.2V BOARD	2
23	9008268	COMPOUND THERMAL JOINT	102
24	9007081	CABLE CLAMP .25 I.D.	1
25	1111481	RECTIFIER	4
26	9006021-1	SCR. PHL PAN HD #6-32 x .31	2
27	9006633	WASHER, LOCK INT. TOOTH #6	4
28	9006037-1	SCR PHL HD PAN #8.32 x .38	3
29	9008201-1	SCR. SLOT. HD PAN, SH METAL #6 x .38	13
30	1210130	SOCKET, TRANSISTOR	24
31	9008274	TAPE, POLY. ADH. BACK .38W x .38 THK	A/R
32	9009283	SPACER, .25 A.F.X.12 LG X #6 HOLE	12
33	9007920-00	CONN. SOLDERLESS YEL #10	12
34	1503068	TRANSISTOR DEC 3715	8
35	1509730	TRANSISTOR, DEC 5301	16
36	9007969	CONN. SOLDERLESS BLU #14	48
37	9009255	LABEL, ADHESIVE BACK	1
38	9107370-88	#14 AWG WIRE STRD INS. (GRY)	12FT
39	9107370-55	#14 AWG WIRE STRD INS. (GRN)	11FT
40	9107370-00	#14 AWG WIRE STRD INS. (BLK)	5FT
41	9107360-88	#18 AWG WIRE STRD INS. (GRY)	2FT
42	9107360-77	#18 AWG WIRE STRD INS. (VIO)	3FT
43	9107360-55	#18 AWG WIRE STRD INS. (GRN)	2FT

TITLE REGULATED HEAT SINK ASSY
-5.2V
ASSY NO. D-UA-7009405-0-0
SIZE CODE A PL
NUMBER 7009405-0-0
REV. ECO NO. E
SHEET 2 OF 4

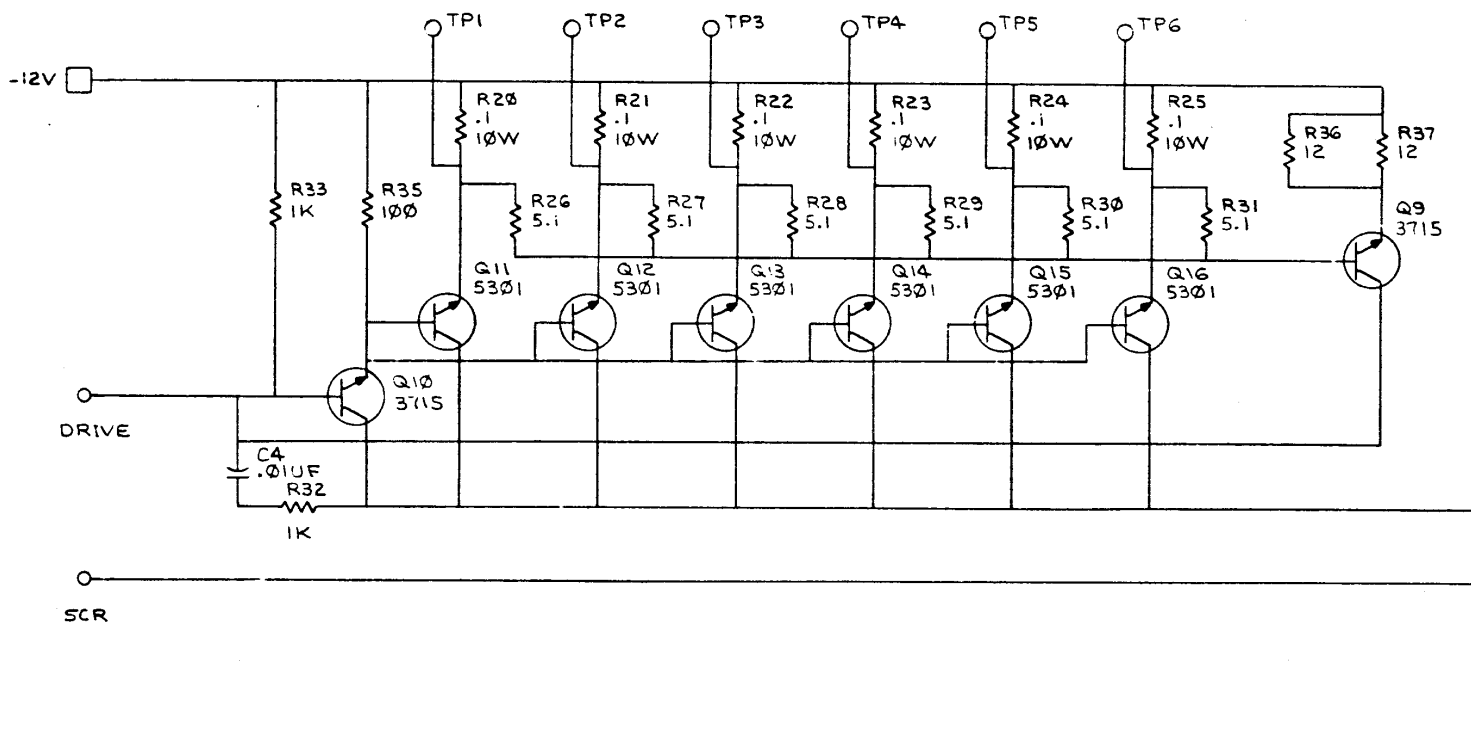
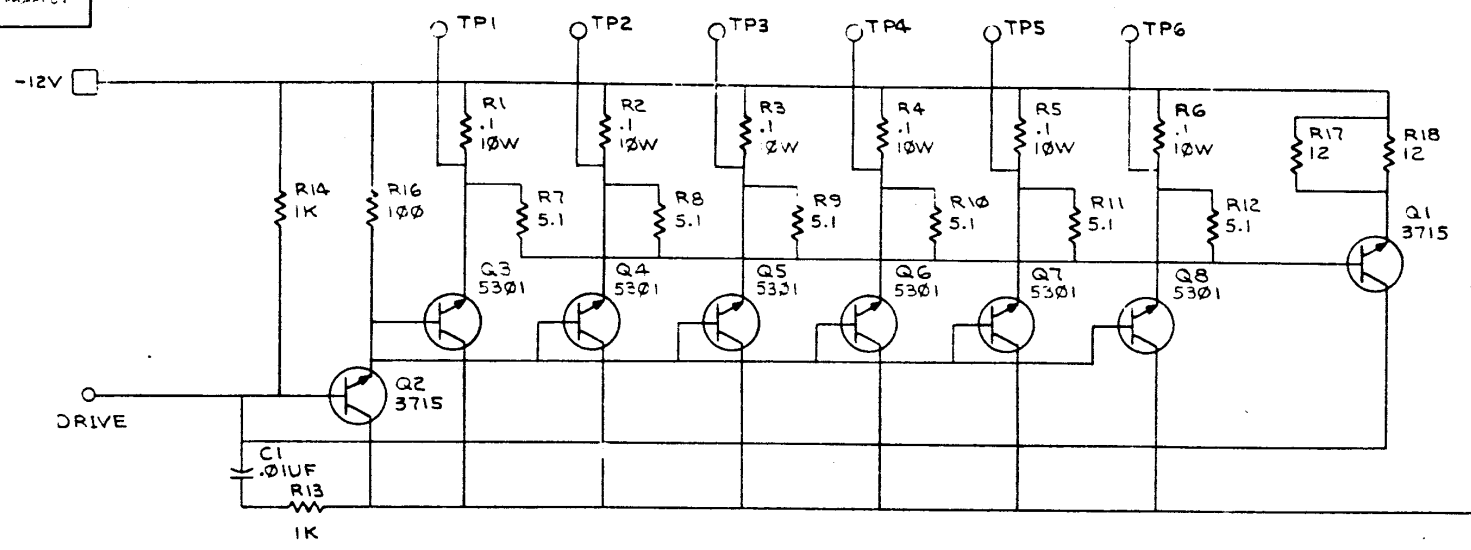
MR

MR

THIS DRAWING AND SPECIFICATIONS HEREIN ARE THE PROPERTY OF DIGITAL EQUIPMENT CORPORATION AND SHALL NOT BE REPRODUCED OR TRANSMITTED IN ANY FORM OR BY ANY MEANS, ELECTRONIC OR MECHANICAL, INCLUDING PHOTOCOPYING, RECORDING, OR BY ANY INFORMATION STORAGE AND RETRIEVAL SYSTEMS WITHOUT WRITTEN PERMISSION FROM DIGITAL EQUIPMENT CORPORATION.

NOTES:

1. ALL RESISTORS 1/4W 5% UNLESS OTHERWISE STATED.
2. ALL RESISTORS IN OHMS UNLESS OTHERWISE STATED.
3. SYMBOL \square INDICATES NO. 8 AWG CONNECTION.
4. OUTPUT OF EACH REGULATOR IS -2.0 V MEASURED FROM -V.O. TO RTN. (SEE D-IC-4761-0-9).



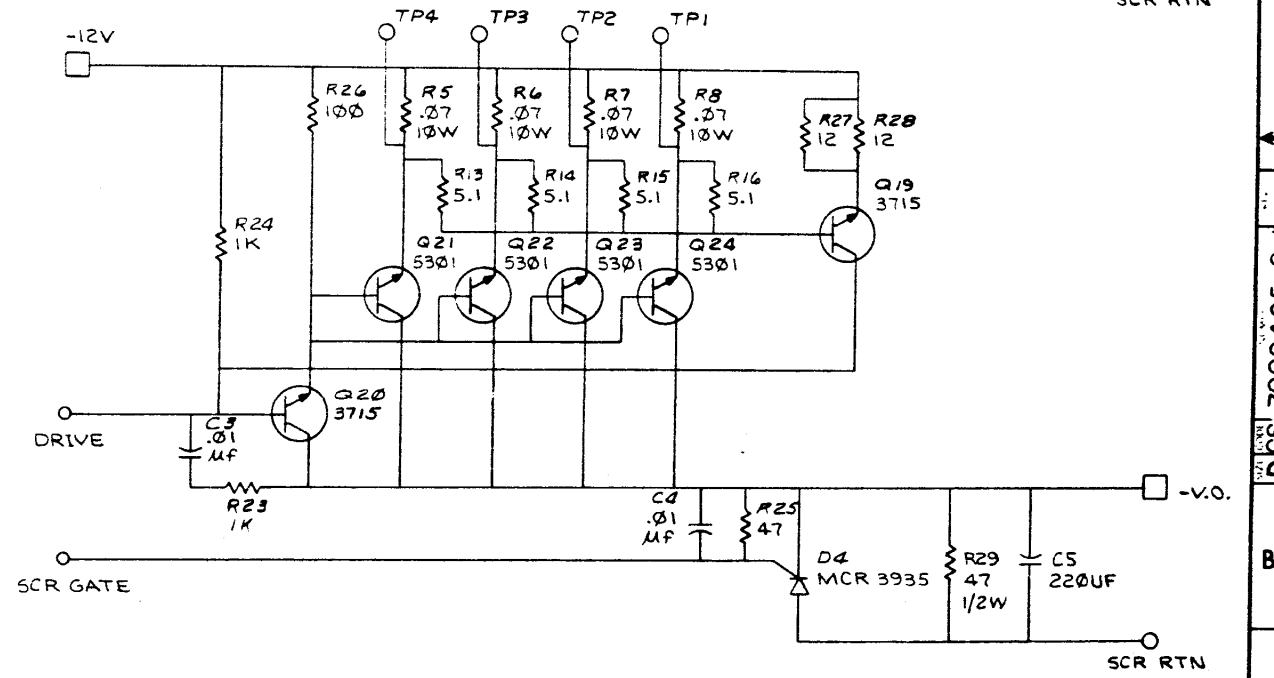
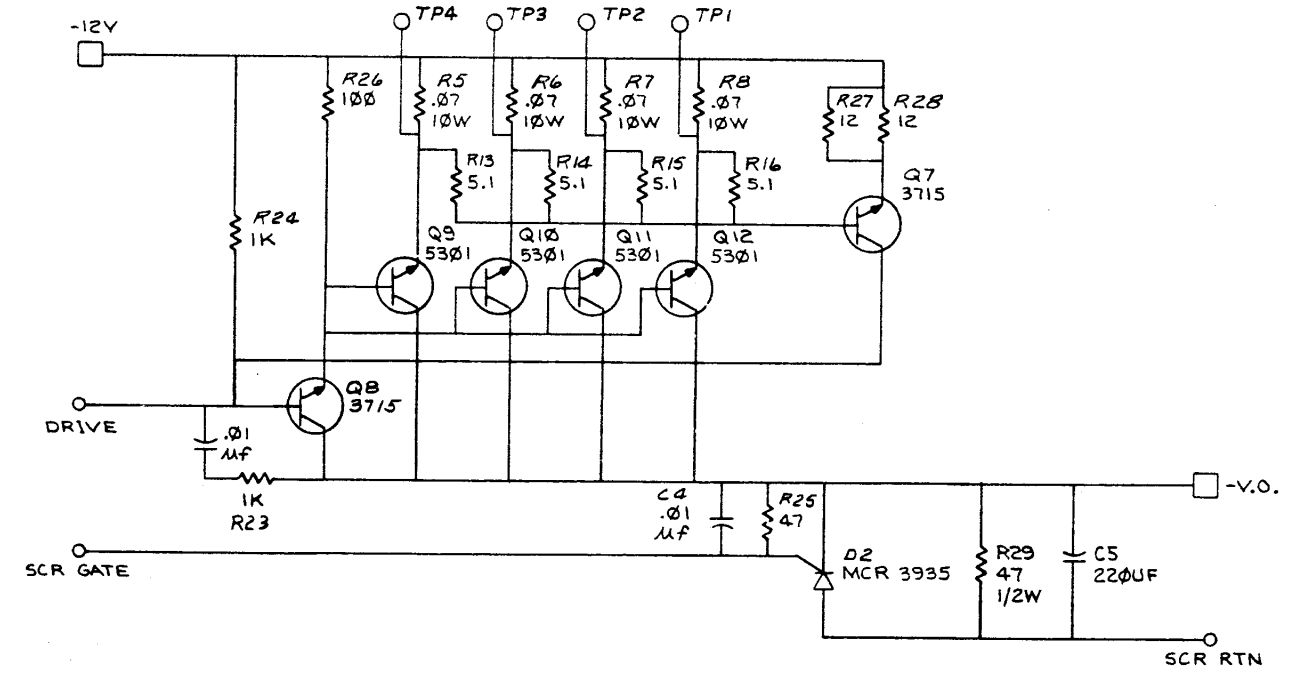
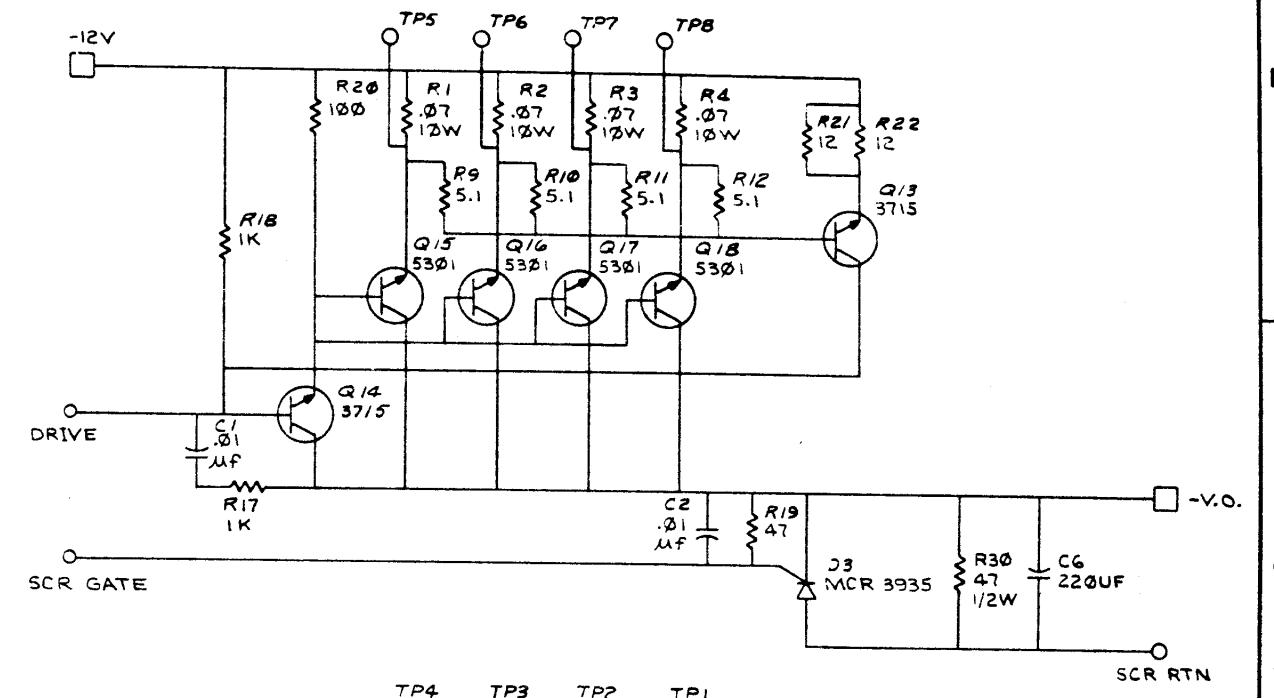
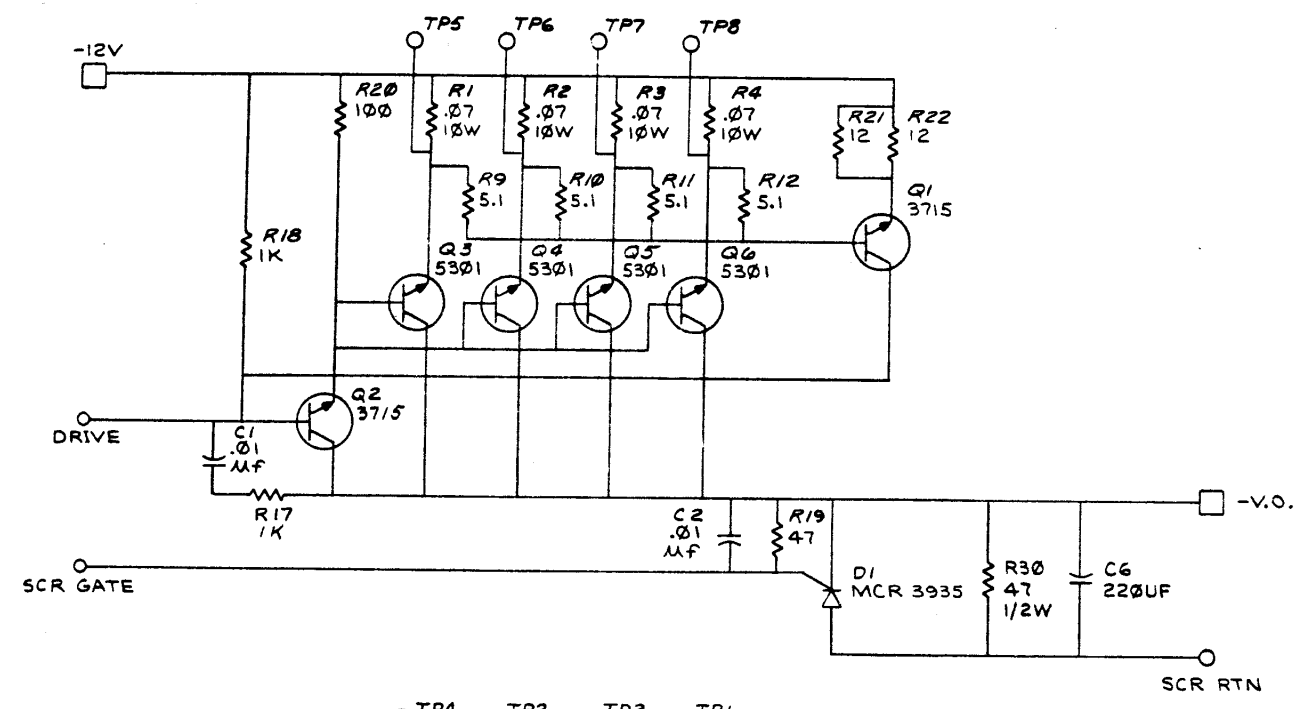
FIRST USED ON OPTION/MODEL	QTY.	DESCRIPTION	PART NO.	ITEM NO.
KL10				
PARTS LIST				
UNLESS OTHERWISE SPECIFIED DIMENSION IN INCHES		DRN: <i>J. Danahy</i>	DATE: 7/7/73	digital EQUIPMENT CORPORATION MILFORD, MASSACHUSETTS
TOLERANCES		CHKD: <i>W. J. ...</i>	DATE: 9/25/73	
DECIMALS	ANGLES	ENG: <i>John ...</i>	DATE: 11/22/73	
.005	0 30'	PROJ. ENG: <i>John ...</i>	DATE: 11/22/73	
.02		PROD: <i>John ...</i>	DATE: 2-27-75	
REMOVE BURRS AND BREAK SHARP CORNERS SURFACE QUALITY				
MATERIAL		NEXT HIGHER ASSY.		TITLE -2.0 V HEAT SINK ASSY
FINISH		4761		
		SCALE		
		SHEET 1 OF 1		SIZE CODE DCS 7009404-0-1
				NUMBER REV.

THIS DRAWING AND SPECIFICATIONS HEREIN ARE THE PROPERTY OF DIGITAL EQUIPMENT CORPORATION AND SHALL NOT BE REPRODUCED OR COPIED OR USED IN WHOLE OR IN PART AS THE BASIS FOR THE MANUFACTURE OR SALE OF ITEMS WITHOUT WRITTEN PERMISSION. COPYRIGHT © 1975 DIGITAL EQUIPMENT CORPORATION

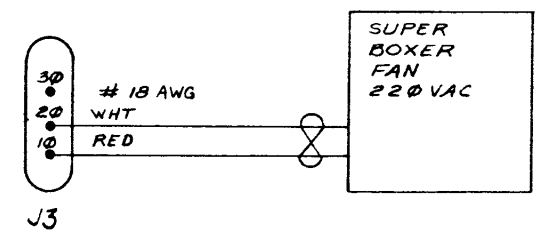
DCS 7009405-0-1

NOTES:
1. OUTPUT OF EACH REGULATOR IS -5.2 V MEASURED FROM -V.O. TO RTN. (SEE D.I.C. H761-0-8).

NOTES:
2. ALL RESISTORS 1/4W 5% UNLESS OTHERWISE STATED.
3. ALL RESISTORS IN OHMS UNLESS OTHERWISE STATED.
4. SYMBOL - □ INDICATES NO. 8 AWG CONNECTION.



MATE-N-LOK LOCATED ON HEAT SINK MOUNTING BKT.



REV	NO	DATE
CHG	NO	DATE

FIRST USED ON OPTION/MODEL	QTY.	DESCRIPTION	PART NO.	ITEM NO.
KL10				
UNLESS OTHERWISE SPECIFIED DIMENSION IN INCHES				
TOLERANCES				
DECIMALS	ANGLES	DATE		
xxx = .005	.0 30'	DRN	7/13/73	
xx = .02		CHK	9/10/73	
.x = .1		ENG	9/10/73	
REMOVE BURRS AND BREAK SHARP CORNERS SURFACE QUALITY V				
MATERIAL				
NEXT HIGHER ASSY.				
FINISH				
TITLE		DATE		
-5.2 V HEAT SINK ASSY		PROD	2/7/75	
MATERIAL		DATE		
NEXT HIGHER ASSY.		DATE		
FINISH		DATE		
SCALE		DATE		
SHEET 1 OF 1		DATE		
DIST		DATE		
SIZE CODE		DATE		
D CS		DATE		
NUMBER		DATE		
7009405-0-1		DATE		
REV.		DATE		

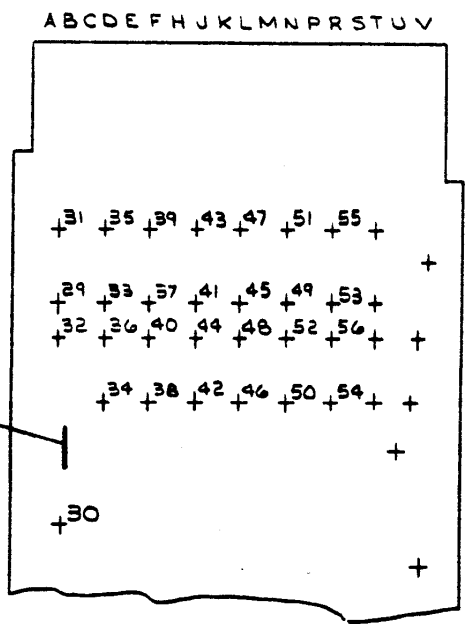
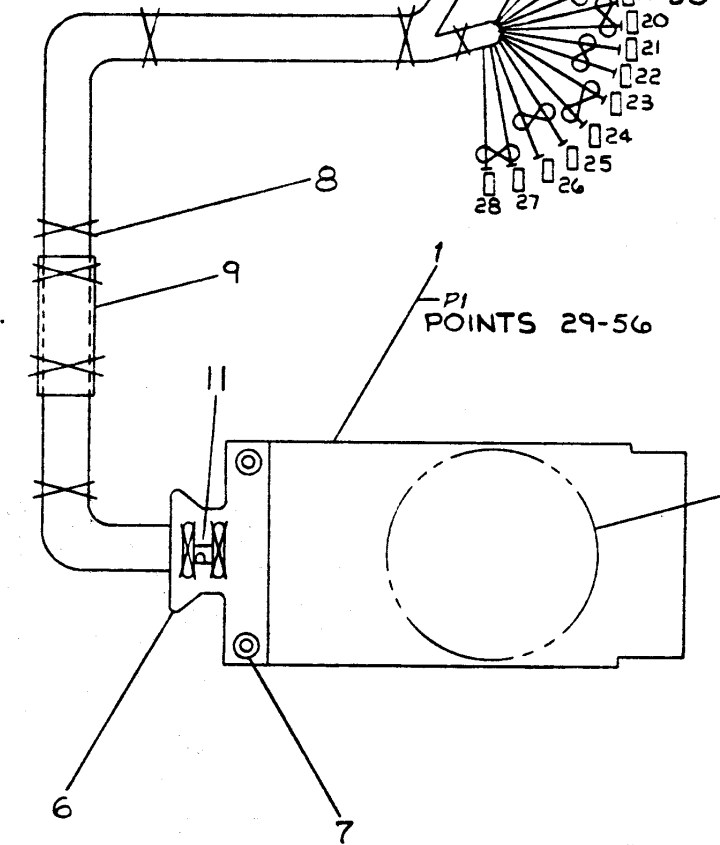
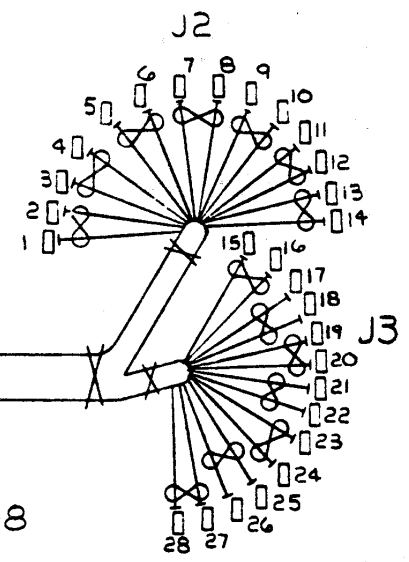
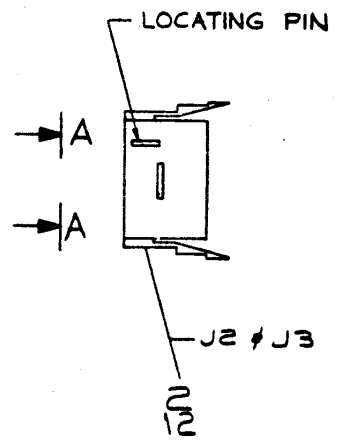
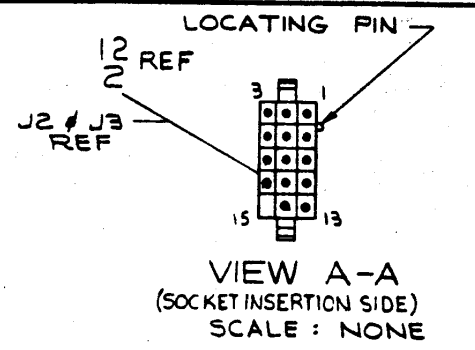
DCS 7009405-0-1

THIS DRAWING AND SPECIFICATIONS HEREIN ARE THE PROPERTY OF DIGITAL EQUIPMENT CORPORATION AND SHALL NOT BE REPRODUCED OR COPIED OR USED IN WHOLE OR IN PART AS THE BASIS FOR THE MANUFACTURE OR SALE OF ITEMS WITHOUT WRITTEN PERMISSION.
 COPYRIGHT © 1974, DIGITAL EQUIPMENT CORPORATION

0-0-979600Z VI D 2

ITEM NO.	DESCRIPTION		FROM			TO			WIRE LENGTH	FUNCTION	
	AWG	COLOR	POINT	CONNECTION	TERM	POINT	CONNECTION	TERM			
4	18	BLK	1	J2-1	2+3	29	P1-A1	SOLDER	19.0"	+ SENSE	
	TWP	BLU	2	J2-2		30	-A2			-52A	- SENSE
4		BLK	3	J2-3		31	-B1		19.5"	+ SENSE	
		BLU	4	J2-4		32	-B2			-52B	- SENSE
4		BLK	5	J2-5		33	-C1		19.0"	+ SENSE	
		BLU	6	J2-6		34	-C2			-52C	- SENSE
4		BLK	7	J2-7		35	-D1		19.5"	+ SENSE	
		BLU	8	J2-8		36	-D2			-52D	- SENSE
4		BLK	9	J2-9		37	-E1		18.5"	+ SENSE	
		BLU	10	J2-10		38	-E2			-52E	- SENSE
4		BLK	11	J2-11		39	-F1		19.0"	+ SENSE	
		BLU	12	J2-12		40	-F2			-52F	- SENSE
4		BLK	13	J2-13		41	-H1		18.5"	+ SENSE	
		BLU	14	J2-14		42	-H2			-52H	- SENSE
4		BLK	15	J3-1		43	-J1		19.0"	+ SENSE	
		BLU	16	J3-2		44	-J2			-52J	- SENSE
4		BLK	17	J3-3		45	-K1		18.0"	+ SENSE	
		BLU	18	J3-4		46	-K2			-52K	- SENSE
4		BLK	19	J3-5		47	-L1		18.5"	+ SENSE	
		BLU	20	J3-6		48	-L2			-52L	- SENSE
5		BLK	21	J3-7		49	-M1		18.0"	+ SENSE	
		GRN	22	J3-8		50	-M2			-20A	- SENSE
5		BLK	23	J3-9		51	-N1		18.5"	+ SENSE	
		GRN	24	J3-10		52	-N2			-20B	- SENSE
5		BLK	25	J3-11		53	-P1		18.0"	+ SENSE	
		GRN	26	J3-12		54	-P2			-20C	- SENSE
5	18	BLK	27	J3-13		55	-R1		18.5"	+ SENSE	
	TWP	GRN	28	J3-14	2+3	56	P1-R2	SOLDER		-20D	- SENSE

- NOTES:
- USE "TIE WRAPS" (ITEM #8) APPROXIMATELY EVERY THREE INCHES WHEN NECESSARY, AND AT EVERY BREAKOUT POINT. "X" REPRESENTS TIE WRAPS.
 - CONNECTORS J2 & J3 ARE TO BE LABELED WITH COMPONENT IDENTIFIERS, USING ITEM #12



DETAIL A
 SCALE: 2/1
 ROTATED 90°
 COUNTER CLOCK WISE

DO NOT REDUCE
 FOR MANUFACTURING PURPOSES ONLY
 SCALE
 6 IN

QTY.	DESCRIPTION	PART NO.	ITEM NO.
1	DECAL	A-DC-7409873-1-0	10
1	DECAL	A-DC-7409872-0-0	11
1	JUMPER	9009185	12
1	LABEL, CABLE, I.D.	9009532	13
10	TIE, CABLE 375LG-D9W	9007031	14
2	EYELET	9006741	15
1	CLAMP, CABLE	1222790	16
7 FT	WIRE, #18 AWG TWP, BLK/GRN	9107430-05	17
13 FT	WIRE, #18 AWG TWP, BLK/BLU	9107430-06	18
28	SOCKET, TERMINAL CONTACT	1209379-00	19
2	CONN. HOUSING, 15 SKT	1209350-15	20
1	CABLE TRACK CONN. BOARD M905	M905	21

FIRST USED ON OPTION/MODEL		SYM	QTY.	DESCRIPTION	PART NO.	ITEM NO.
KL10						
DIMENSIONAL TOLERANCE				PARTS LIST		
DIMENSIONS ARE UNLESS OTHERWISE SPECIFIED				DRN: <i>Quilla</i> DATE: 8/22/74 CHKD: <i>[Signature]</i> DATE: 8/22/74 ENGR: <i>[Signature]</i> DATE: 10/19/74 PROJ. ENGR: <i>[Signature]</i> DATE: 11/17/74 PROJ. MGR: <i>[Signature]</i> DATE: 11/17/74		
MILLIMETERS X JOG ±0.10 Z JOG ±0.05 X ±0.2	INCHES JOG ±0.005 JOG ±0.0025 X ±0.1	ANGLES 90° ±30'		TITLE HARNESS, SENSE		
THIRD ANGLE PROJECTION	REMOVE DIMENSIONAL TOLERANCES FROM SURFACE QUALITY	NEXT HIGHER ASSY.		MATERIAL SEE PARTS LIST		
FINISH		SCALE 1/1		SIZE CODE DIA 7009546-0-0		
		SHEET 1 OF 1		NUMBER 7009546-0-0		
				REV.		

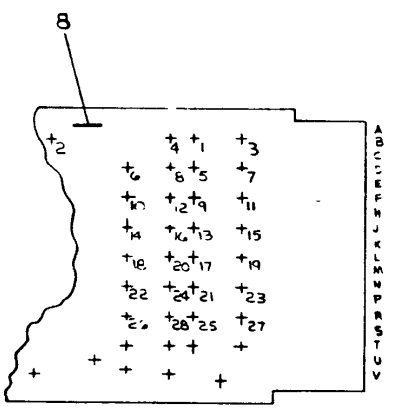
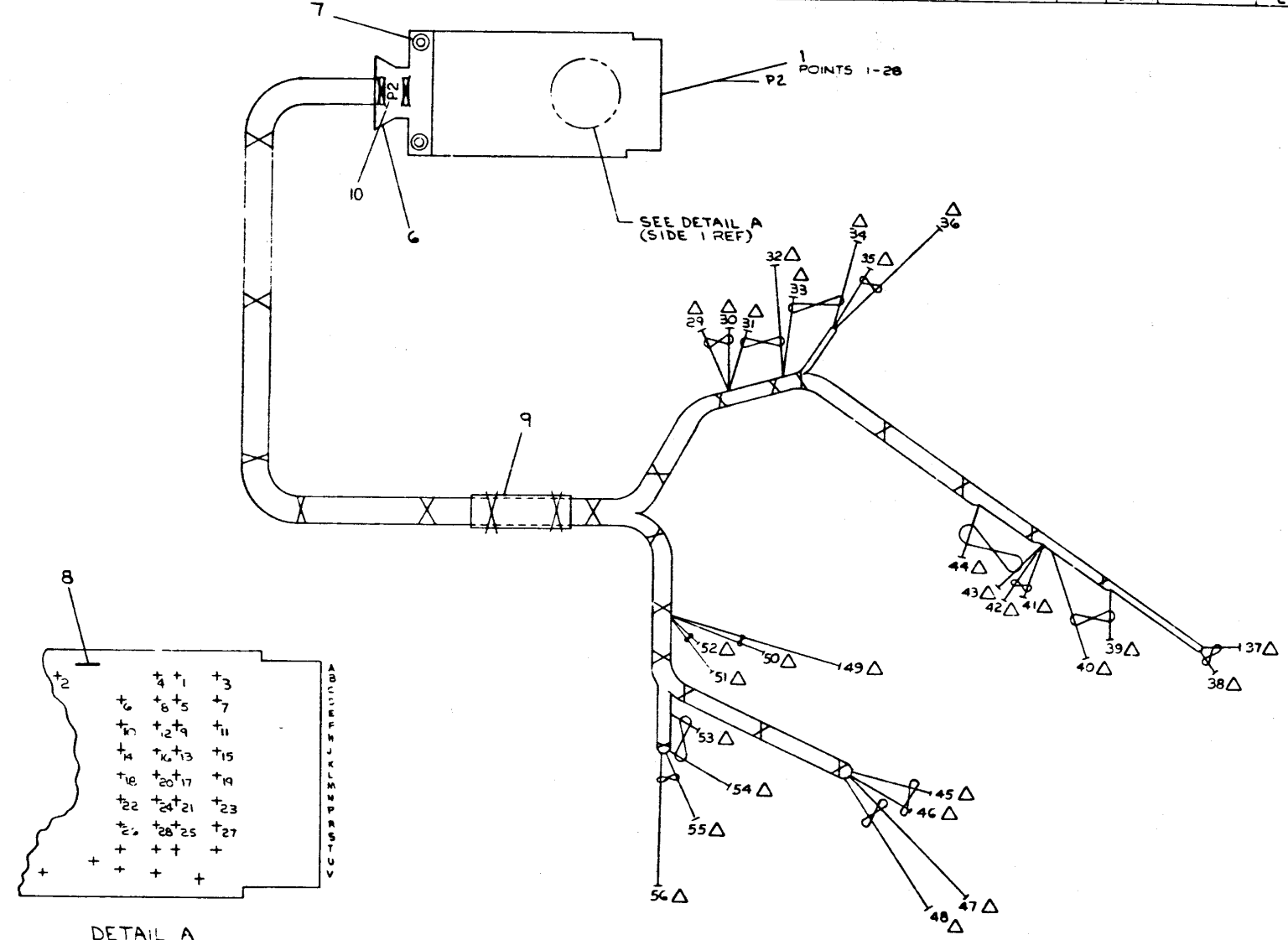
REV.	CHANGE NO.	DATE

NUMBER
 DIA 7009546-0-0

WIRE TABLE										
ITEM NO.	AWG	COLOR	POINT	CONNECTION	TERM	POINT	CONNECTION	TERM	WIRE LENGTH	FUNCTION
5	18TWP	BLK	1	P2-A1	1	55	---	2	+	-5.2A
		BLU	2	P2-A2	1	56	---	2	-	OPEN SENSE
5	18TWP	BLK	3	P2-B1	1	53	---	2	+	-5.2B
		BLU	4	P2-B2	1	54	---	2	-	OPEN SENSE
5	18TWP	BLK	5	P2-C1	1	50	---	2	+	-5.2C
		BLU	6	P2-C2	1	49	---	2	-	OPEN SENSE
5	18TWP	BLK	7	P2-D1	1	52	---	2	+	-5.2D
		BLU	8	P2-D2	1	51	---	2	-	OPEN SENSE
5	18TWP	BLK	9	P2-E1	1	30	---	2	+	-5.2E
		BLU	10	P2-E2	1	29	---	2	-	OPEN SENSE
5	18TWP	BLK	11	P2-F1	1	31	---	2	+	-5.2F
		BLU	12	P2-F2	1	32	---	2	-	OPEN SENSE
5	18TWP	BLK	13	P2-H1	1	33	---	2	+	-5.2H
		BLU	14	P2-H2	1	34	---	2	-	OPEN SENSE

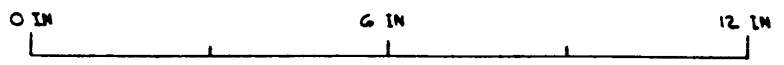
WIRE TABLE										
ITEM NO.	AWG	COLOR	POINT	CONNECTION	TERM	POINT	CONNECTION	TERM	WIRE LENGTH	FUNCTION
5	18TWP	BLK	15	P2-J1	1	35	---	2	+	-5.2J
		BLU	16	P2-J2	1	36	---	2	-	OPEN SENSE
5	18TWP	BLK	18	P2-K2	1	40	---	2	+	-5.2K
		BLU	17	P2-K1	1	45	---	2	-	OPEN SENSE
5	18TWP	BLK	19	P2-L1	1	48	---	2	+	-5.2L
		BLU	20	P2-L2	1	47	---	2	-	OPEN SENSE
4	18TWP	GRN	24	P2-N2	1	42	---	2	-	-2.0B
		BLK	23	P2-N1	1	41	---	2	+	OPEN SENSE
4	18TWP	BLK	21	P2-M1	1	43	---	2	+	-2.0A
		GRN	22	P2-M2	1	44	---	2	-	OPEN SENSE
4	18TWP	BLK	25	P2-P1	1	40	---	2	+	-2.0C
		GRN	26	P2-P2	1	39	---	2	-	OPEN SENSE
4	18TWP	BLK	27	P2-R1	1	38	---	2	+	-2.0D
		GRN	28	P2-R2	1	37	---	2	-	OPEN SENSE

NOTES:
 1. USE "TIE WRAPS" (ITEM #3) APPROXIMATELY EVERY THREE INCHES WHEN NECESSARY, AND AT EVERY BREAKOUT POINT. "X" REPRESENTS TIE WRAPS.
 2. ALL CABLE BREAKOUT WIRES SHALL BE LABELED WITH BRADY MARKERS.



DETAIL A
SCALE: 2/1

DO NOT REDUCE
FOR MANUFACTURING PURPOSES ONLY
SCALE



1	DECAL	4007098700	10
1	LABEL, CABLE, I.D.	9009532	9
1	JUMPER	9009185	8
2	EYELET	9006741	7
1	CLAMP, CABLE	202790-00	6
28FT	WIRE, #18 AWG TWP, BLK/BLU	9107430-02	5
12FT	WIRE, #18 AWG TWP, BLK/GRN	9107430-05	4
25	TIE, CABLE 575LGH07H	900703	3
28	CONN, SOLDERLESS	9007490-00	2
1	CABLE TRACK CONN BOARD M985	M985	1

KL10

DATE: 10-20-70
 DESIGNED BY: [Signature]
 CHECKED BY: [Signature]
 DRAWN BY: [Signature]

SCALE: 1/1

DESCRIPTION: HARNESS, OPEN SENSE

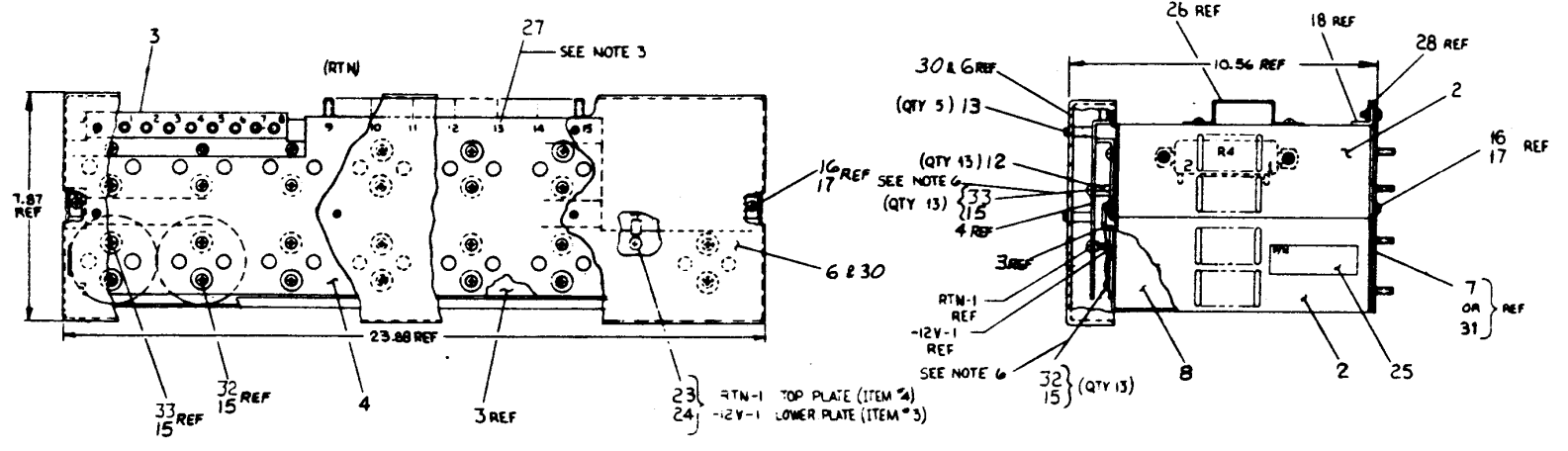
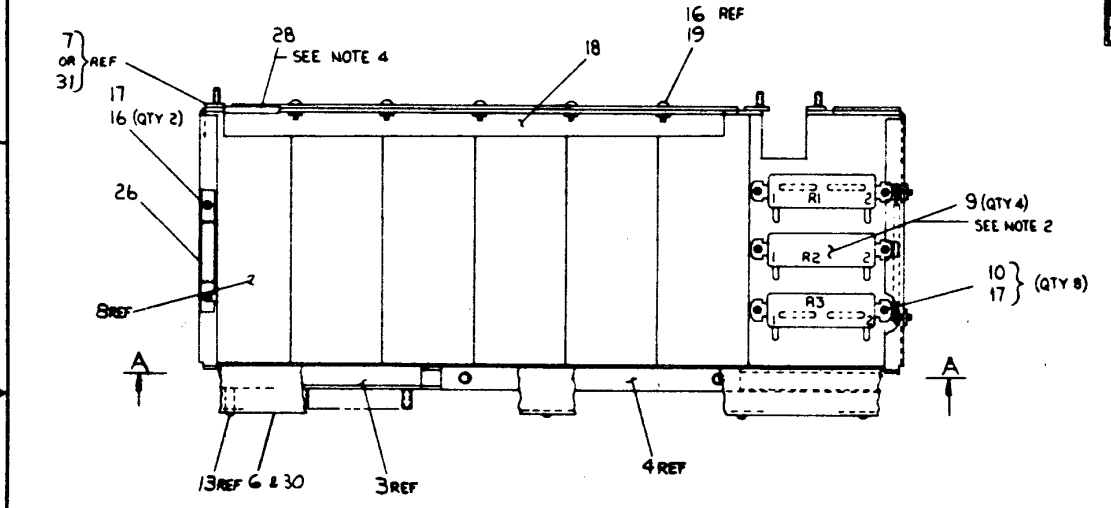
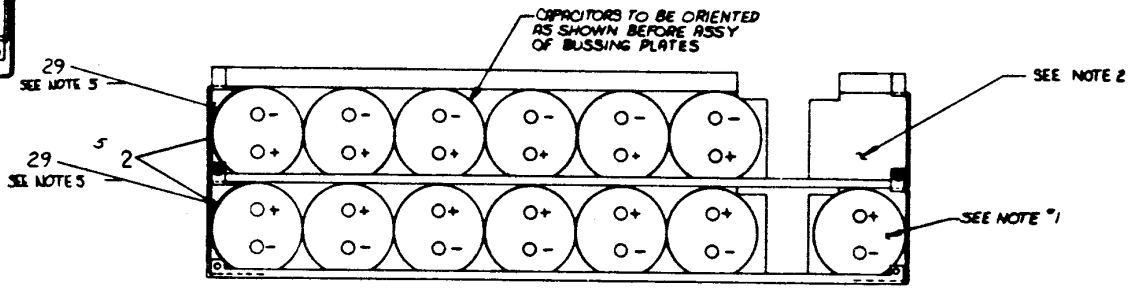
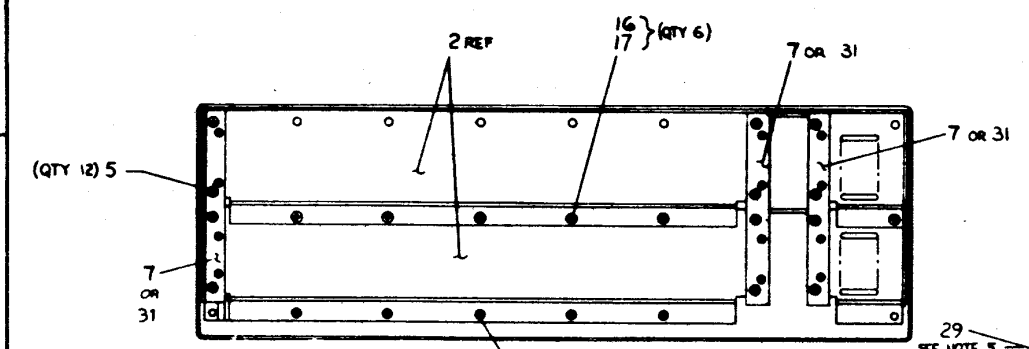
NUMBER: E-UA-H761-0-0

REV: A

THIS DRAWING AND ALL INFORMATION CONTAINED HEREIN IS UNCLASSIFIED DATE 08-14-2013 BY 60322 UCBAW/SJS/STP

WIRE TABLE							
ITEM NO	AWG	COLOR	CONNECTION	TERM	CONNECTION	TERM	LENGTH (INCHES)
21	14	BLK	R1-1	SOLDER	R4-1	SOLDER	5.00
20	14	RED	R3-1		R2-1		
					-12-V-1	ITEM #22	4.00
21	14	BLK	R2-2		R1-2	SOLDER	3.75
21	14	BLK	R3-2		R4-2	SOLDER	2.00
21	14	BLK	R4-1	SOLDER	RTN-1	ITEM #22	10.00

- NOTES:
- CAPACITORS (ITEM #8) MUST BE PLACED IN BOX BEFORE ASSY
 - RESISTORS ITEM #9 TO BE MTD IN UPPER BOX ONLY.
 - PLACE DECALS (ITEM #27) APPROX. WERE SHOWN ON BUSSING PLATES (ITEM #31, #4).
 - INSTALL ITEM #28 ON ITEM #18 AS SHOWN
 - CUT FOAM TO BSIN X 30IN AND INSTALL TO SIDE OF ITEM 2 BEFORE ASSEMBLY OF CAPACITORS.
 - TORQUE SCREWS (ITEM #32 & #33) TO 16 INCH POUNDS.



CAUTION: OFF SHEET PARTS LIST EXISTS
REFER TO K-PL-7009878-0-DBP

QTY	DESCRIPTION	PART NO.	PART ID.
3	PLATE, MTG	744615	31
1	PROTECTION PLATE	C-MD-741873-1-0	30
1/8	FOAM PAD	900102	29
1/8	GROMMET	900104	28
1	DECAL 21 POINT	B-DC-308754-0-0	27
1	STRAIN RELIEF, CABLE	B-MD-7410941-0-0	26
1	LABEL, ADHESIVE BACKED	9009255	25
2	WASHER, INT TOOTH #6	9006633	24
2	SCR PHL PAN HD #8-32 X .31	9008021-1	23
2	TERMINAL BUSH YONGUE	9007928	22
1/8	14 AWG WIRE STRANDED BLK	910730-00	21
1/8	14 AWG WIRE STRANDED RED	910730-02	20
5	MUT. KEYS #8-32	9006563	19
1	HOLD DOWN CAPACITOR	C-3A-7412140-0-0	18
18	WASH INT TOOTH #8	9006634	17
15	SCR PHL PAN HD #8-32 X .30	9008037-1	16
24	WASH INT TOOTH #10	9006685	15
13	SCR PHL PAN HD #10-32 X .50	9006078-1	14
5	SCR SLOTS PAN HD #8-32 X .50	9008808-1	13
13	STRIPTY WIRE PENCIL	B-MD-741214-0-0	12
13	SCR PHL PAN HD #10-32 X .51	9008070-1	11
8	SCR PHL PAN HD #8-32 X .45	9008035-1	10
4	RESISTOR 4 OHMS 50W	190088	9
13	CAP 300,000 MFD 15V	1011479	8
3	PLATE, MTG	C-TB-7411865-0-0	7
1	PROTECTION PLATE	C-MD-7411878-0-0	6
12	SCR PHL PAN HD #8-32 X .38	9008037-2	5
1	BUSSING PLATE, TOP	D-TB-7411862-0-0	4
1	BUSSING PLATE	D-TB-7411861-0-0	3
2	BOX CAPACITOR	F-18-7411731-0-0	2
REF	CIRCUIT SCHEMATIC	D-CB-7009878-0-1	1

KL10

REVISIONS

NO.	DESCRIPTION	DATE
1	ISSUED FOR PRODUCTION	11/11/78

DATE LIST

7009878-0-0

CAPACITOR BOX ASSY

E AD 7009878-0-0

WIRE TABLE									
ITEM NO	DESCRIPTION	FROM	CONNECTION		TO	CONNECTION	TERM	REMARKS	
	AWG	COLOR	POINT	TERM	POINT	CONNECTION	TERM		
79	14	TWP		HARNES		CB10-2			
		BLK	2			CB10-1			
		WHT	3			CB9-2			
		RED	4			CB9-1			
		WHT	5			CB8-2			
		RED	6			CB8-1			
		WHT	7			CB7-2			
		RED	8			CB7-1			
		WHT	9			CB6-2			
		RED	10			CB6-1			
		WHT	11			CB1-9			
		BLK	12			CB1-7			
		RED	13			K2-9			
		RED	14			K2-7			
		RED	15			K2-8			
		RED	16			K2-6			
		WHT	17			K2-5			
		WHT	18						
		WHT	19						
		WHT	20						
79	14	TWP		HARNES		CB9-4			
		RED	2			CB9-3			
		WHT	3			CB9-2			
		RED	4			CB9-1			
		WHT	5			CB7-4			
		RED	6			CB7-3			
		WHT	7			CB8-4			
		RED	8			CB8-3			
		WHT	9			CB5-4			
		RED	10			CB5-3			
		WHT	11			CB4-4			
		RED	12			CB4-3			
		WHT	13			CB3-4			
		RED	14			CB3-3			
		WHT	27			J20-5			
		RED	29			J20-8			
		WHT	25			J25-5			
		RED	26			J25-8			
		WHT	23			J28-5			
		RED	24			J28-8			
		WHT	21			J27-5			
		RED	22			J27-8			
		WHT	19			J26-5			
		RED	20			J26-8			
		WHT	17			J25-5			
		RED	18			J25-8			
14	TWP	RED	15			J24-5			
		WHT	16			J24-8			
90				HARNES	P1	AB4 (ITEM #12)			
		RED	25			T81			
		YEL	28			C1+			
					P14	J14			
		BLU	30			C1-			
		RED	29			C2+			
					P16	J16			
		RED	27			C2+			
		ORG	31			C3+			
		ORG	44						SOLDER
		ORG	45			O1-E			
		BWN	47						
		BWN	48			O1-C			
		RED	48			O1-B			SOLDER
90	18	YEL	29			O1-B			
91	14	BLK	1			C3-			
					P15	K1-4			
		RED	2			K1-3			
		BLU	3			K1-2			
		BLU	4			K1-1			
		WHT	5						
		WHT	8			K1-1			
					P17	J17			
		BLU	19			K3-9			SOLDER+HG
		BLU	20			K3-7			SOLDER+HG
		BLU	21			K3-6			SOLDER+HG
		BLU	27			K2-10			
		RED	25			K1-3			
		RED	26			K2-9			
					J11	ITEM #10(SEE SHEET 1)			
					J9	ITEM #2(SEE SHEET 2)			
		BLU	19			K2-2			SOLDER+HG
		BLU	30			K1-10			
		RED	29			K1-9			
		RED	28			K1-8			
		BLK	6A			F1-2			SOLDER
		RED	6C			F1-1			
		RED	6D			F2-2			
		BLU	6E			F3-2			
91	18	BLU	5F			F3-1			SOLDER

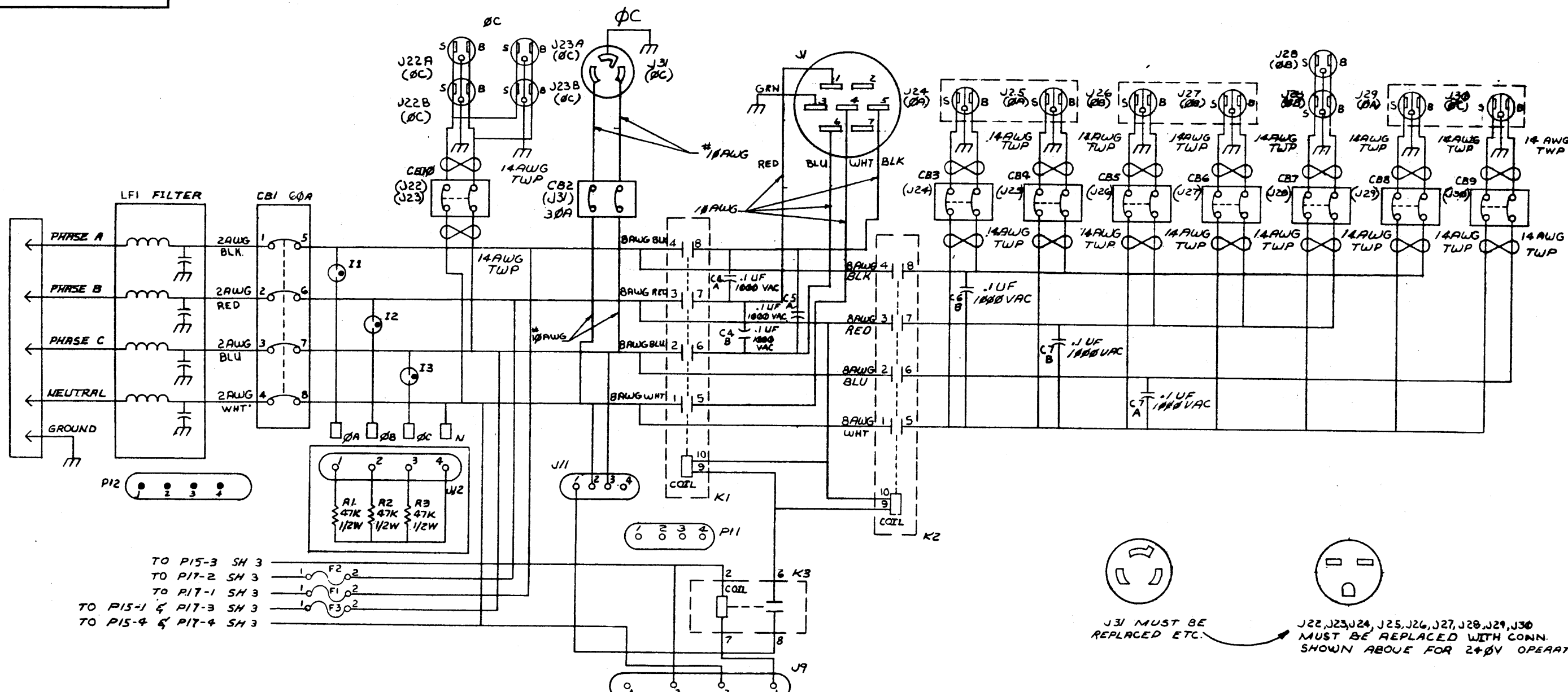
WIRE TABLE									
ITEM NO	DESCRIPTION	FROM	CONNECTION		TO	CONNECTION	TERM	REMARKS	
	AWG	COLOR	POINT	TERM	POINT	CONNECTION	TERM		
82	18	WHT	1			K2-5			
		RED	2			K2-7			
		BLK	3			K2-9			
		BLU	4			K2-6			
		BLK	5			C4-1			
		BLU	6			C4-2			
		RED	7			C4-C			
		BLU	8			C5-C			
		BLK	9			C5-1			
		BLK	10			C6-2			
		WHT	11			C6-C			
		RED	12			C7-2			
		BLU	13			C7-1			
		WHT	14			C7-C			
		WHT	15						
		BLU	16			K1-6			
		RED	18			K1-7			
		BLK	19			K1-8			
82	18	BLK	20			HARNES			
		BLK				I1-1	CB1-5	ITEM 93	
		BLK				I2-1	CB1-6	ITEM 93	
		BLK				I3-1	CB1-7	ITEM 93	
		BLK				I1-2	RB83	ITEM 101	
		BLK				I2-2	RB81	ITEM 101	
		BLK				I3-2	RB84	ITEM 101	
14	14	WHT	1			HARNES			
		RED	2			CB5-1			
		WHT	3			CB4-2			
		RED	4			CB4-1			
		WHT	5			CB3-2			
		RED	6			CB3-1			
		WHT	10			K2-5			
		RED	9			K2-7			
		WHT	11			K2-8			
		RED	12			K2-9			
79	14	RED	9			HARNES			
					P21	J21 (ITEM #14)			
					P20	GB17 (ITEM #30)			
					P1	SB4 (ITEM #12)			
					J7	CHASSIS (ITEM #1)			
					J8	CHASSIS (ITEM #1)			
					J13	CHASSIS (ITEM #1)			
					J1	CHASSIS (ITEM #1)			
					J5	CHASSIS (ITEM #1)			
					J8	CHASSIS (ITEM #1)			
10	10	GRN/YEL			LF1-GND	ITEM 96	FRAME GRD-2	ITEM 96	
		RED			J1-1	ITEM 45	K1-7	ITEM 97	
		GRN/YEL			J1-3	ITEM 45	FRAME GRD-2	ITEM 96	
		WHT			J1-4	ITEM 45	K1-5	ITEM 97	
		BLK			J1-5	ITEM 45	K1-9	ITEM 97	
		BLU			J1-6	ITEM 45	K1-6	ITEM 97	
		BLK			ITEM 83	ITEM 83	K1-4	ITEM 93	
		BLK			CB1-5		K2-4		
		RED					K1-3		
		RED			CB1-6		K2-3		
		BLU			CB1-7		K1-2		
		WHT					K2-2		
		WHT					K1-1		
		WHT			CB1-9	ITEM 93	K2-1	ITEM 93	
		BLK			CB10-3	ITEM 133	J22-9	ITEM 95	
		WHT			CB10-4	ITEM 133	J22-5	ITEM 95	
		BLK			J22-9	ITEM 95	J23-9	ITEM 95	A OR B ONLY
		WHT			J22-5	ITEM 95	J23-5	ITEM 95	A OR B ONLY
		BLU			CB2-1	ITEM 87	CB1-7	ITEM 98	A OR B ONLY
		WHT			CB2-2	ITEM 87	CB1-9	ITEM 98	A OR B ONLY
		BLU			CB2-3	ITEM 87	J31-9	ITEM 97	A OR B ONLY
		WHT			CB2-4	ITEM 87	J31-5	ITEM 97	A OR B ONLY
		GRN/YEL			J31-6	ITEM 87	FRAME GRD 2	ITEM 98	
		YEL			C1-	ITEM 87	C2-	ITEM 87	
		YEL			C2-	ITEM 87	C3-	ITEM 87	
		BLK			P12-1	ITEM 106	P12-2	ITEM 106	A OR D ONLY
		BLK			P12-3	ITEM 106	P12-4	ITEM 106	
		BLK			P11-1	ITEM 40	P11-3	ITEM 40	
		BLK			P18-1	ITEM 40	P18-3	ITEM 40	
		BLK			P18-2	ITEM 40	P18-4	ITEM 40	
		BLK			P19-2	ITEM 40	P19-7	ITEM 40	
		BLK			P19-4	ITEM 40	P19-9	ITEM 40	
		BLK			P19-6	ITEM 40	P19-9	ITEM 40	A OR D ONLY
		BLK			P11-1	ITEM 40	P11-2	ITEM 40	B OR E ONLY
		BLK			P18-2	ITEM 40	P18-3	ITEM 40	
		BLK			P19-1	ITEM 40	P19-7	ITEM 40	
		BLK			P19-3	ITEM 40	P19-8	ITEM 40	
		BLK			P19-5	ITEM 40	P19-9	ITEM 40	B OR E ONLY
</									

LINE	ITEM	DOCUMENT NUMBER	PART NUMBER	DESCRIPTION	QUANTITY PER VARIATION			
					A	B	D	E
1	1	E-IA-7411288-0-0	7411288-00	CHASSIS P.S. (KL10)	1	1	1	1
2	2	E-IA-7412256-0-0	7412256-00	PANEL FRONT (863) KL10	1	1	1	1
3	3	D-IA-7411290-0-0	7411290-00	COVER P.C. (KL10)	1	1	1	1
4	4	D-IA-7412187-0-0	7412187-00	SUPPORT, FILTER #1 KL10	1	1	1	1
5	5	C-IA-7412113-0-0	7412113-00	BRKT CONN NO 1 (863) KL10	1	1	1	1
6	6	D-IA-7412118-0-0	7412118-00	BRKT NO CONN KL10 (863)	1	1	1	1
7	7	C-MD-7412122-0-0	7412122-00	PANEL 2-OUTLET KL10 (863)	1	1	1	1
8	8	C-MD-7412082-0-0	7412082-00	PANEL 4 OUTLET KL10 (863)	1	1	1	1
9	9	E-IA-7412278-0-0	7412278-00	PANEL SIDE (863) KL10	1	1	1	1
10	10	C-MD-7412280-0-0	7412280-00	BRKT NO 3 CONN KL10 (863)	1	1	1	1
11	11		1211191-00	CONN, POWER 3PIN RCPT NEMA L6-20	-	1	-	-
12	12	C-AD-7009632-0-0	7009632-00	LOGIC 863 A	1	1	1	1
13	13		5411159-00	BOARD RESISTOR (863)	1	1	1	1
14	14		5411157-00	INDICATOR LED	1	1	1	1
15	15		1211493-00	FILTER LINE 120/240 75AMP	1	1	1	1
16	16		1211496-00	*** THIS ITEM IS NOT USED ***	-	-	-	-
17	17		1210191-06	*** THIS ITEM IS NOT USED ***	-	-	-	-
18	18		1205351-00	CONN, POWER 3PIN RCPT NEMA 5-15R	6	-	6	-
19	19		1211746-01	CONTACTOR, 40A, 4P, 60CV,	2	2	2	2
20	20		1211537-00	CONN, RCPT 7PIN	1	1	1	1
21	21		1611490-00	XFMRA P=BT S= 36.2V @.52A UL	1	1	1	1
22	22		1611546-00	XFMRA P=AB S=48CT @250MA + #4960	1	1	1	1
23	23		1010184-00	30,000 MFD 25V +75-10% AL EL	1	1	1	1
24	24		1010510-00	6000 MFD 50V +75-10% AL EL	2	2	2	2
25	25		5410206-00	CONTROL PILOT	1	1	1	1
26	26		9107765-22	WIRE, STRND, 8AWG IPVC UL1431	A/R	A/R	A/R	A/R
27	27		0W516-00	3 PHASE LOW VOLTAGE DETECTOR	1	1	-	-
28	28		W7000-00	AUX POW SUPPLY-KL10	1	1	1	1
29	29		G8015-00	POWER CTRL LOGIC KL10	1	1	1	1
30	30		G8017-00	863 INDICATOR DRIVER	1	1	1	1

REVISION HISTORY			BASIC PART NO: 00863		DRN: K. GAMACHE		DATE: 4-FEB-75		DIGITAL	
ENG	ECO NUMBER	REV	SECTION A OF A	CHK'D:	D. SIREEN	DATE:	4-FEB-75	TITLE	PARTS LIST	
JD	963-MR010	K	SECTION. VARIATION INDEX	DES. ENG.:	J. DREW <td>DATE:</td> <td>4-FEB-75 <td>POWER CONTROLLER</td> <td colspan="2"></td> </td>	DATE:	4-FEB-75 <td>POWER CONTROLLER</td> <td colspan="2"></td>	POWER CONTROLLER		
			[A] A, B, D, E	RESP. ENG.:	J. DREW <td>DATE:</td> <td>4-FEB-75 <td>DOCUMENT NUMBER</td> <td colspan="2"></td> </td>	DATE:	4-FEB-75 <td>DOCUMENT NUMBER</td> <td colspan="2"></td>	DOCUMENT NUMBER		
			[B]	IMFG. ENG.:	B. OBRIEN <td>DATE:</td> <td>6-FEB-75 <td>SIZE CODE NUMBER</td> <td>REV</td> <td></td> </td>	DATE:	6-FEB-75 <td>SIZE CODE NUMBER</td> <td>REV</td> <td></td>	SIZE CODE NUMBER	REV	
			[C]	ASSEMBLY NUMBER:	E-UA-863-0-0	TOP DOCUMENT NUMBER:	#B-DD-863-0	FILE NAME:	Z2464K.PLS	EDIT #
			[D]							5
			[E]							
			[F]							

"THIS DRAWING AND SPECIFICATIONS HEREIN, ARE THE PROPERTY OF DIGITAL EQUIPMENT CORPORATION AND SHALL NOT BE REPRODUCED OR COPIED OR USED IN WHOLE OR IN PART AS THE BASIS FOR THE MANUFACTURE OR SALE OF ITEMS WITHOUT WRITTEN PERMISSION. COPYRIGHT (C) 1982. DIGITAL EQUIPMENT CORPORATION"

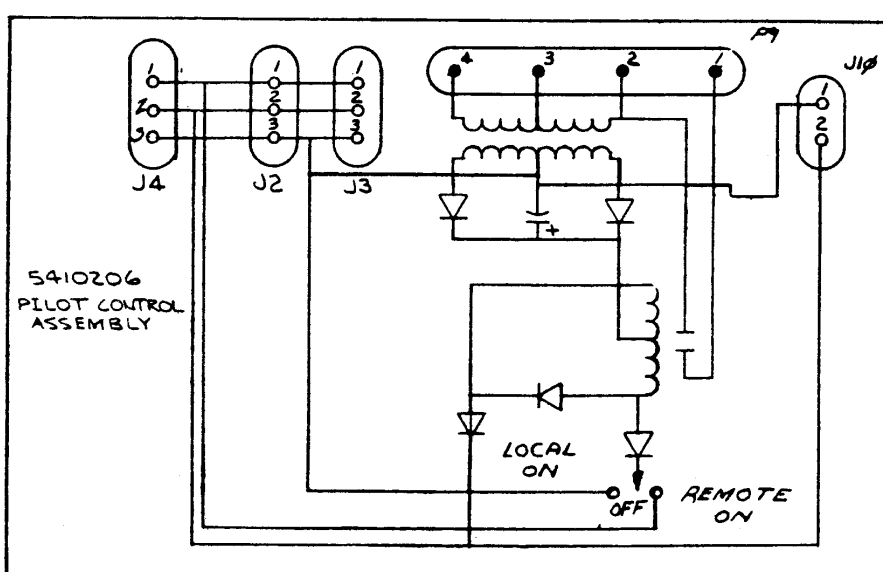
THIS DRAWING AND SPECIFICATIONS HEREIN ARE THE PROPERTY OF DIGITAL EQUIPMENT CORPORATION AND SHALL NOT BE REPRODUCED OR COPIED OR USED IN WHOLE OR IN PART AS THE BASIS FOR THE MANUFACTURE OR SALE OF ITEMS WITHOUT WRITTEN PERMISSION. COPYRIGHT © 1974, DIGITAL EQUIPMENT CORPORATION



TO P15-3 SH 3
 TO P17-2 SH 3
 TO P17-1 SH 3
 TO P15-1 & P17-3 SH 3
 TO P15-4 & P17-4 SH 3

J31 MUST BE REPLACED ETC.
 J22, J23, J24, J25, J26, J27, J28, J29, J30 MUST BE REPLACED WITH CONN. SHOWN ABOVE FOR 240V OPERATION

NOTE:
 FOR 120V OPERATION JUMPER P12-17
 P12-2 TO P12-3 TO P12-4 J11-1 TO J11-3
 FOR 240V OPERATION JUMPER J11-1 TO J11-2
 REMOVE JUMPER ON P12 CHANGE DUPLEX
 OUTLET PANEL TO 240V PANEL.
 ALL WIRING IS 18AWG UNLESS NOTED



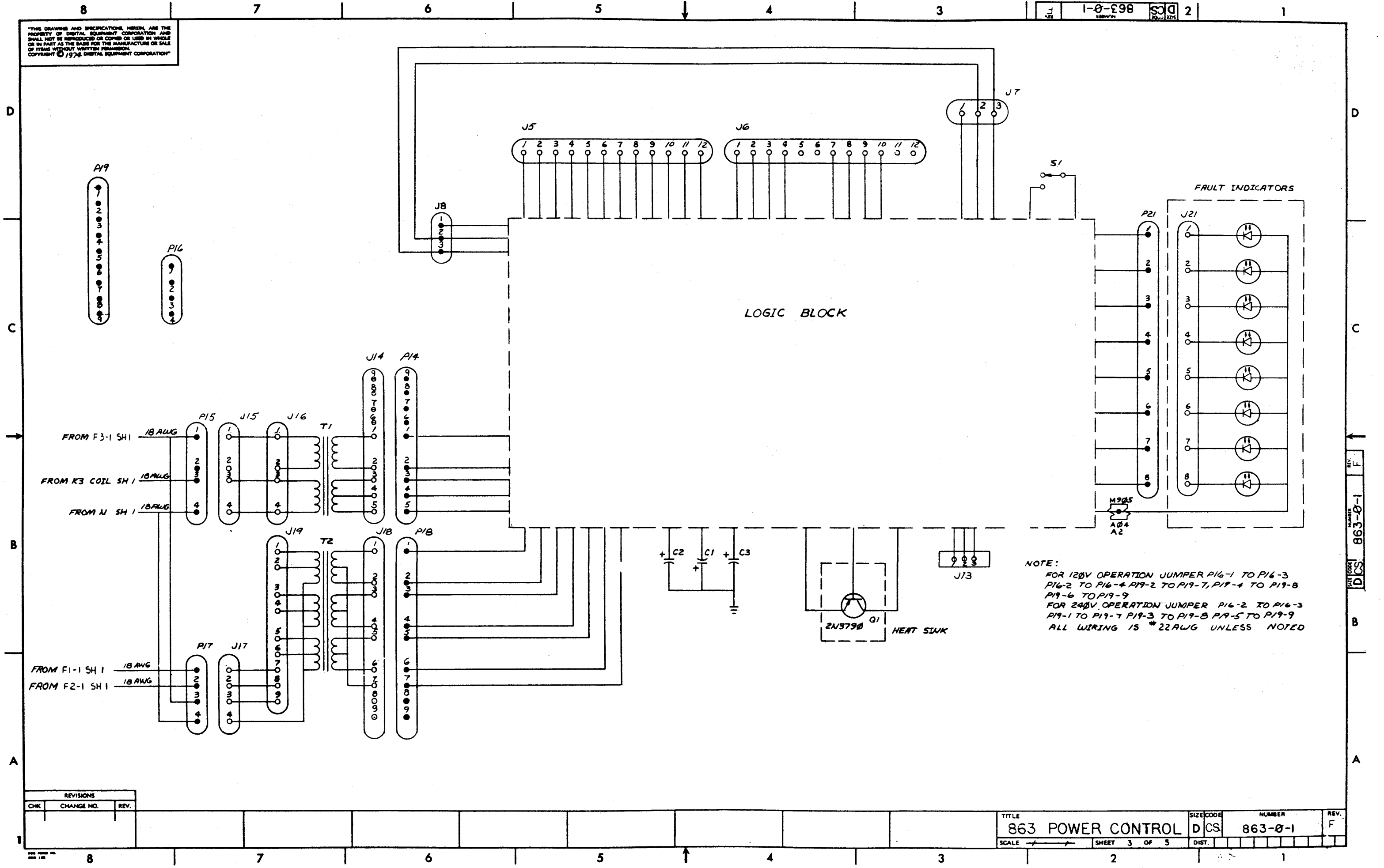
REFER TO THIS SHEET FOR 863 A & B VERSIONS.
 SEE SHEET 2 FOR 863 D & E VERSIONS.

REV.	CHG.	NO.	BY	DATE
1	1863-00007	D	J. DREW	7/2/72
2	1863-00007	D	J. DREW	7/2/72
3	1863-00007	D	J. DREW	7/2/72
4	1863-00007	D	J. DREW	7/2/72
5	1863-00007	D	J. DREW	7/2/72
6	1863-00007	D	J. DREW	7/2/72
7	1863-00007	D	J. DREW	7/2/72
8	1863-00007	D	J. DREW	7/2/72

FIRST USED ON OPTION/MODEL	QTY.	DESCRIPTION	PART NO.	ITEM NO.
KL10				
PARTS LIST				
DIMENSIONAL TOLERANCE		DRN.	DATE	
DIMENSIONS ARE MILLIMETERS		CHKD.	DATE	
UNLESS OTHERWISE SPECIFIED				
MILLIMETERS	INCHES	ANGLES	TITLE	
XXX ±0.10	XXX ±0.005	30° 30'	863 POWER CONTROL	
XX ±0.05	XX ±0.002		DATE	
X ±0.2	X ±0.1		DATE	
THIRD ANGLE PROJECTION		NEXT HIGHER ASSY.		
REMOVE BURRS AND BREAK SHARP CORNERS SURFACE QUALITY				
MATERIAL		SIZE/CODE	NUMBER	REV.
FINISH		DGS	863-0-1	F
		SCALE	SHEET 1 OF 5	

REV. 1
 863-0-1
 DCS

"THIS DRAWING AND SPECIFICATIONS HEREIN ARE THE PROPERTY OF DIGITAL EQUIPMENT CORPORATION AND SHALL NOT BE REPRODUCED OR COPIED OR USED IN WHOLE OR IN PART AS THE BASIS FOR THE MANUFACTURE OR SALE OF ITEMS WITHOUT WRITTEN PERMISSION. COPYRIGHT © 1974, DIGITAL EQUIPMENT CORPORATION"



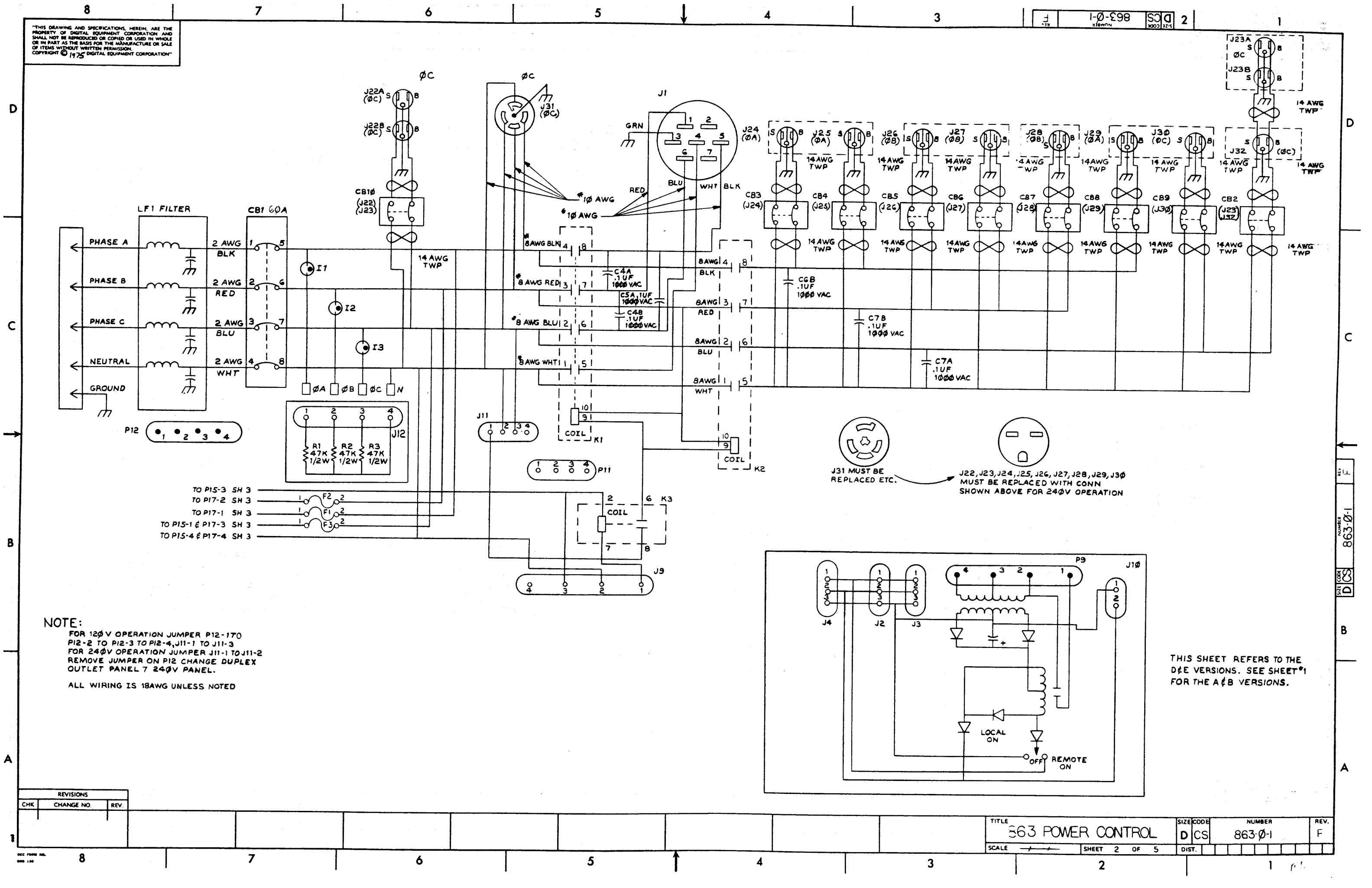
NOTE:
 FOR 120V OPERATION JUMPER PI6-1 TO PI6-3
 PI6-2 TO PI6-4 PI9-2 TO PI9-7, PI9-4 TO PI9-8
 PI9-6 TO PI9-9
 FOR 240V OPERATION JUMPER PI6-2 TO PI6-3
 PI9-1 TO PI9-7 PI9-3 TO PI9-8 PI9-5 TO PI9-9
 ALL WIRING IS #22AWG UNLESS NOTED

REVISIONS		
CHK	CHANGE NO.	REV.

TITLE	SIZE CODE	NUMBER	REV.
863 POWER CONTROL	D CS	863-0-1	F
SCALE	SHEET	OF	DIST.
	3	5	

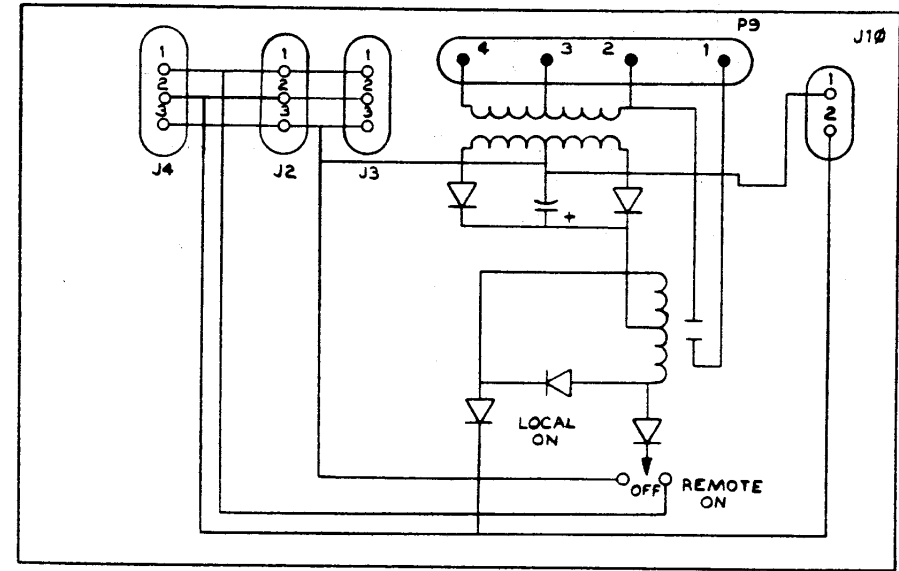
REV. F
 NUMBER 863-0-1
 DCS

THIS DRAWING AND SPECIFICATIONS, HEREIN, ARE THE PROPERTY OF DIGITAL EQUIPMENT CORPORATION AND SHALL NOT BE REPRODUCED OR COPIED OR USED IN WHOLE OR IN PART AS THE BASIS FOR THE MANUFACTURE OR SALE OF ITEMS WITHOUT WRITTEN PERMISSION. COPYRIGHT © 1975 DIGITAL EQUIPMENT CORPORATION



J31 MUST BE REPLACED ETC. J22, J23, J24, J25, J26, J27, J28, J29, J30 MUST BE REPLACED WITH CONN SHOWN ABOVE FOR 240V OPERATION

NOTE:
 FOR 120V OPERATION JUMPER P12-170
 P12-2 TO P12-3 TO P12-4, J11-1 TO J11-3
 FOR 240V OPERATION JUMPER J11-1 TO J11-2
 REMOVE JUMPER ON P12 CHANGE DUPLEX
 OUTLET PANEL 7 240V PANEL.
 ALL WIRING IS 18AWG UNLESS NOTED



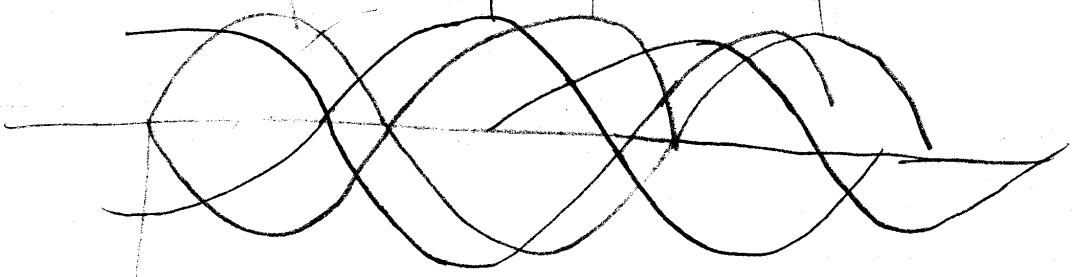
THIS SHEET REFERS TO THE D&E VERSIONS. SEE SHEET #1 FOR THE A & B VERSIONS.

REVISIONS		
CHK	CHANGE NO.	REV.

"THIS DRAWING AND SPECIFICATIONS HEREIN ARE THE PROPERTY OF DIGITAL EQUIPMENT CORPORATION AND SHALL NOT BE REPRODUCED OR COPIED OR USED IN WHOLE OR IN PART AS THE BASIS FOR THE MANUFACTURE OR SALE OF ITEMS WITHOUT WRITTEN PERMISSION. COPYRIGHT © 1974, DIGITAL EQUIPMENT CORPORATION"

$$\frac{16.66}{6} = 2.777 \text{ ms}$$

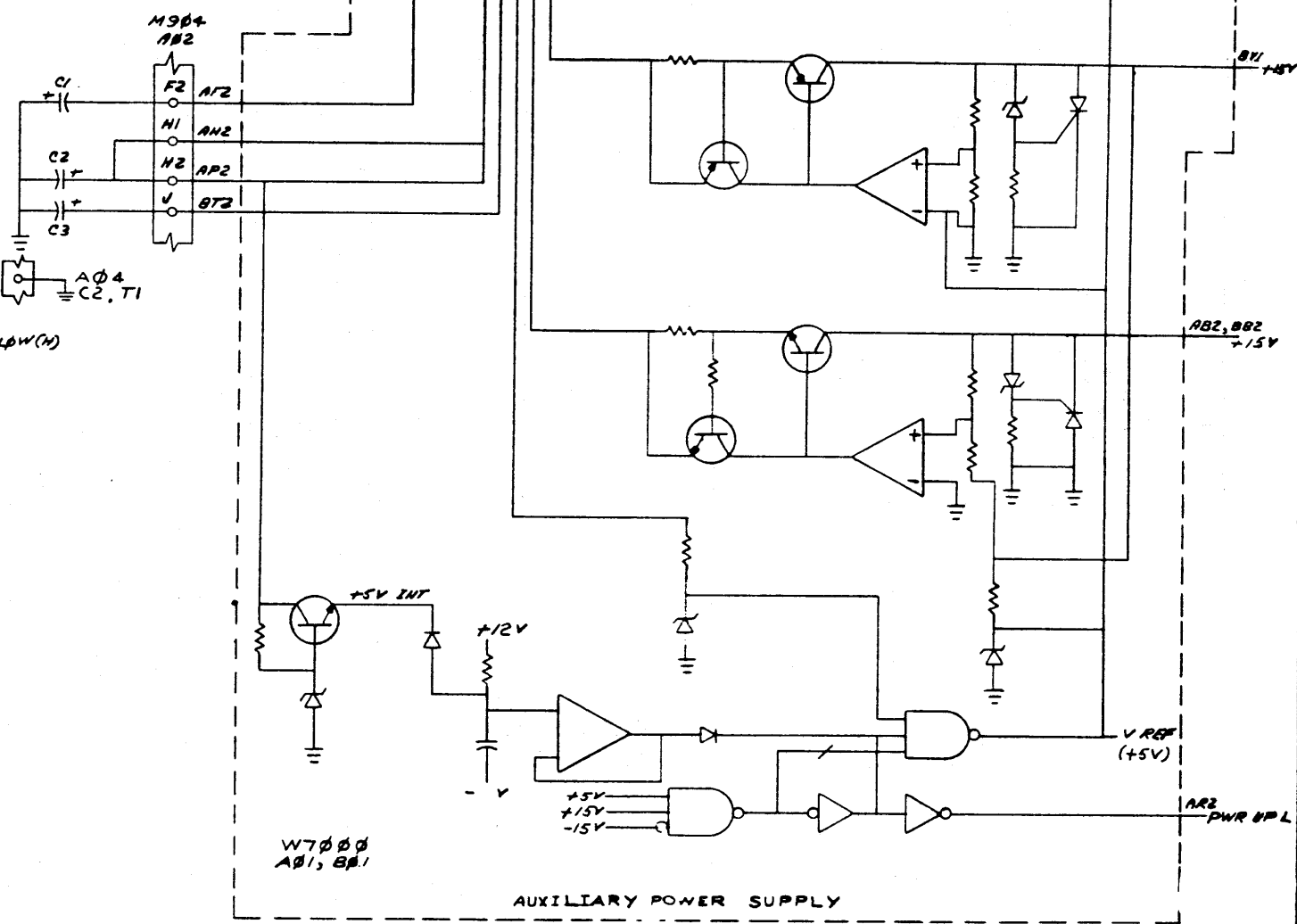
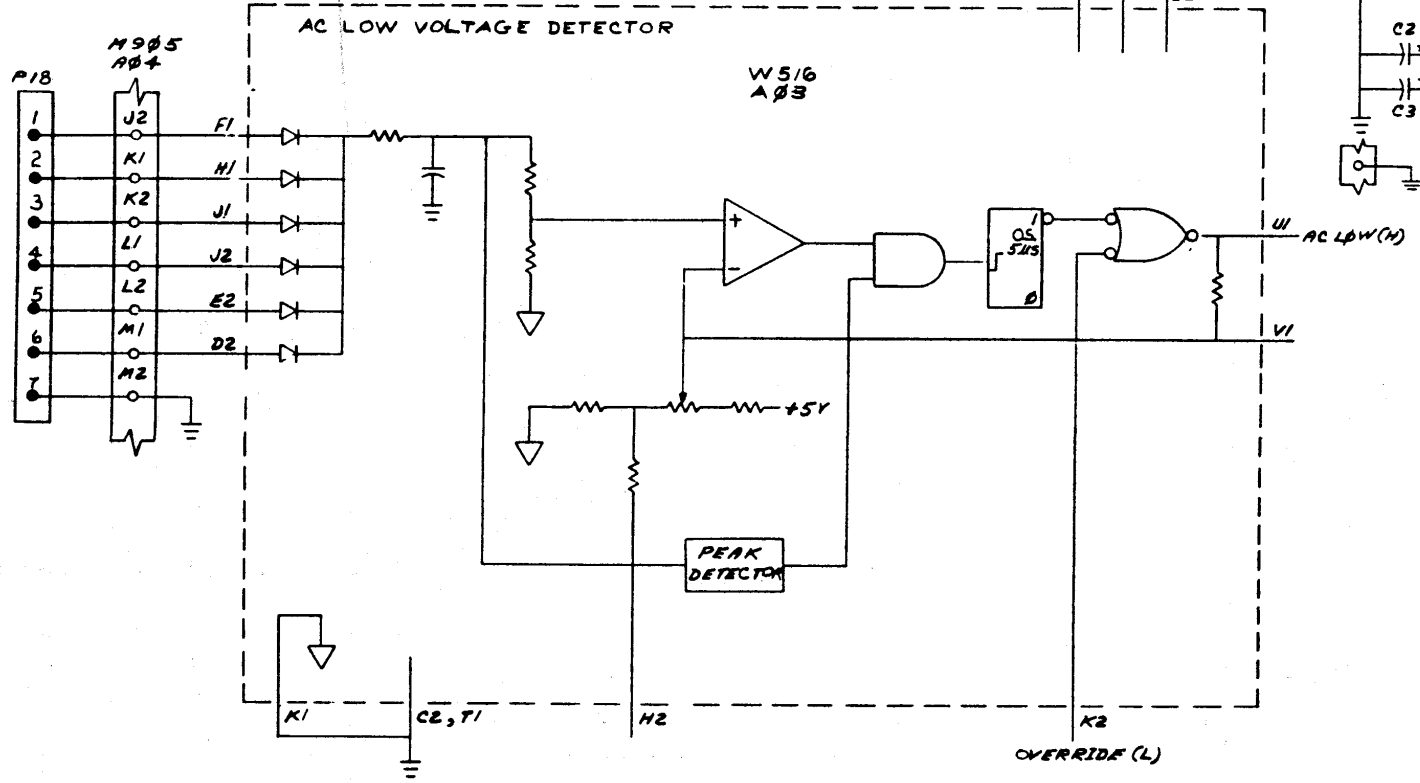
16.66s



1-0-098 DCS 2

D
C
B
A

D
C
B
A

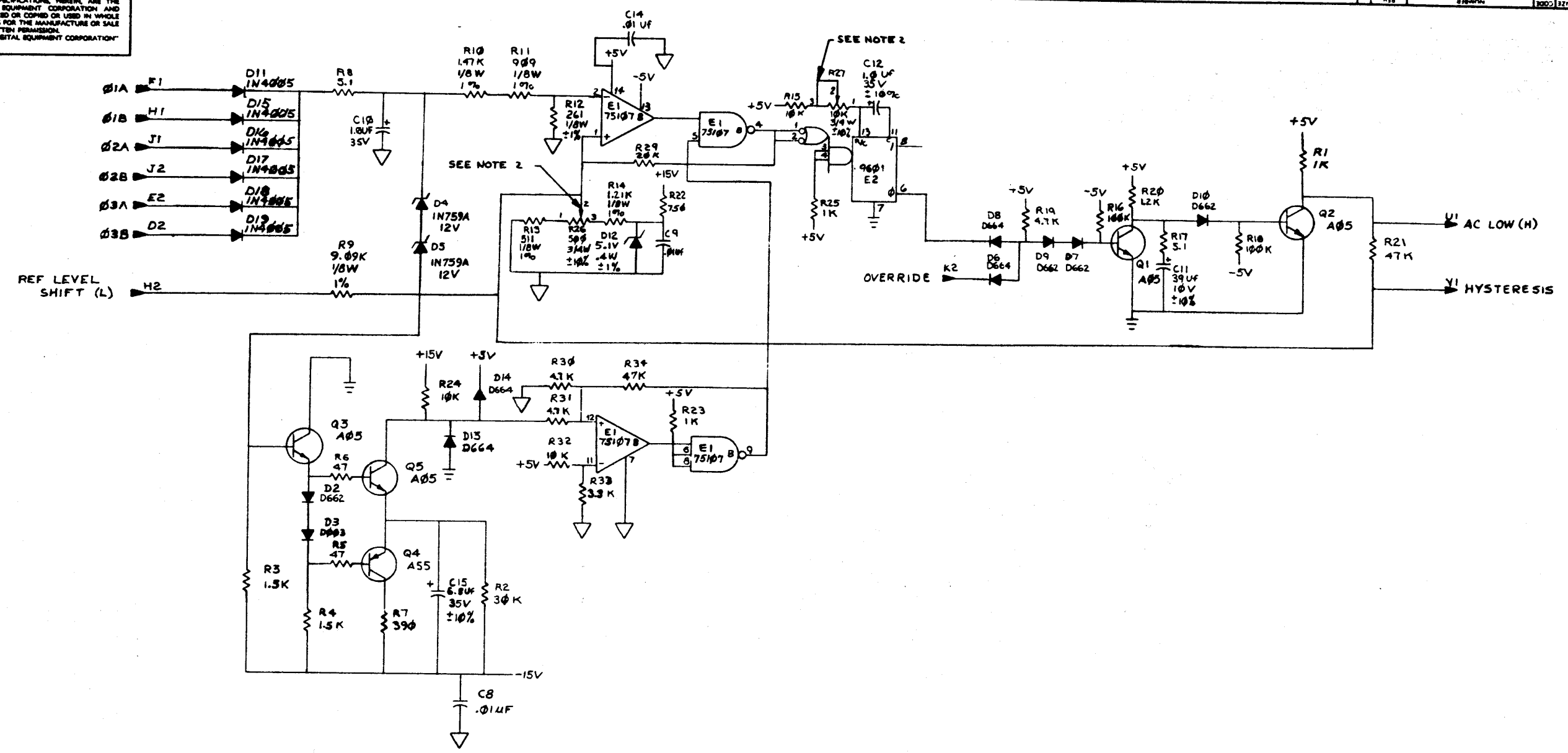


REVISIONS		
CHK	CHANGE NO.	REV.

TITLE	863 POWER CONTROL	SIZE CODE	D CS	NUMBER	863-0-1	REV.	F
SCALE		SHEET	4 OF 5	DIST.			

863-0-1

THIS DRAWING AND SPECIFICATIONS HEREIN ARE THE PROPERTY OF DIGITAL EQUIPMENT CORPORATION AND SHALL NOT BE REPRODUCED OR COPIED OR USED IN WHOLE OR IN PART AS THE BASIS FOR THE MANUFACTURE OR SALE OF ITEMS WITHOUT WRITTEN PERMISSION. COPYRIGHT © 1973, DIGITAL EQUIPMENT CORPORATION



REVISIONS		
CHK	CHANGE NO.	REV.

TITLE	AC LOW VOLTAGE DETECTOR	SIZE CODE	D CS	NUMBER	W516-0-1	REV.	D
SCALE	1:1	SHEET	2 OF 2	DIST.			

This drawing and specifications, herein, are the property of Digital Equipment Corporation and shall not be reproduced or copied or used in whole or in part as the basis for the manufacture or sale of items without written permission. COPYRIGHT © 1973

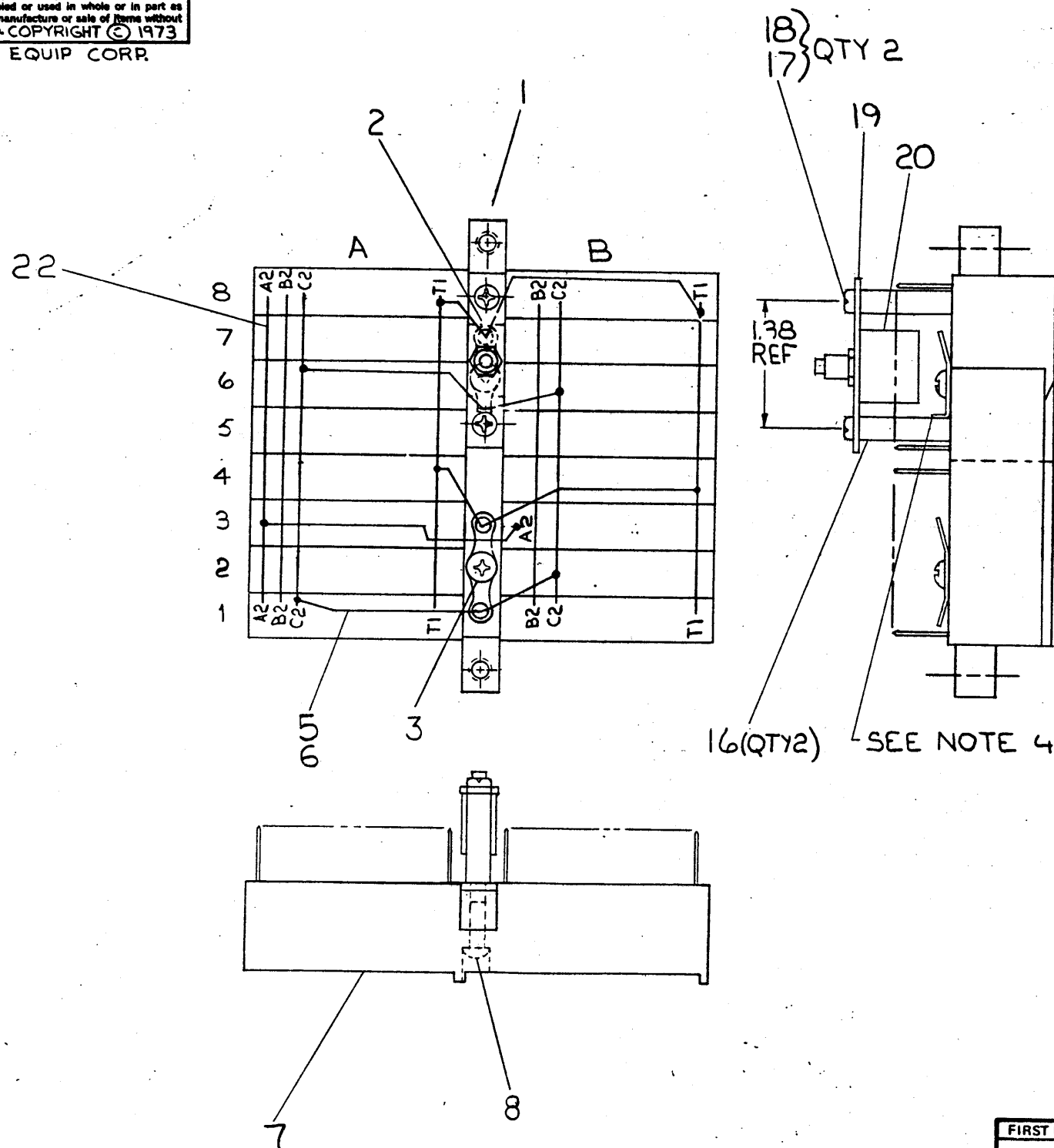
DIGITAL EQUIP CORP.

NOTES:

1. CONNECTIONS ON BUSSING ITEMS *22 TO BE LOCATED AT MINIMUM PRACTICAL HEIGHT ABOVE BLOCKS.
2. USE YEL WIRE ITEM *10 FOR WRAPPING, PERFORMED PER WIRE LIST OF THIS DWG. USE ITEM *11 FOR TWP (NC HAND WRAP).
3. SLEEVE ITEMS 12, 13 & 21 WITH ITEM *23. AND THEN ATTACH ITEM *14.
4. BEND UP THIS END OF GND TAB (ITEM *2) TO ALLOW MTG. OF STANDOFF AT THIS LOCATION.

EXTERNAL COMPONENT TABLE

ITEM	COMP	POL	FROM	TO	POL	REMARKS
13	RES		B1D2	D2T1		390 Ω
12	RES		B1A2	B1D2		180 Ω
21	RES		BØ3A2	BØ3V2		1.8K Ω



CAUTION: OFF SHEETS PARTS EXISTS: REFER TO K-PL-7009632-0-DBR

REV.	CHG	NO.	DATE	BY	APP
A	863-00003		25-MAY-74	J. DREW	
B	863-00005		28-APR-74	J. DREW	
C	863-MR010		24-APR-74	J. DREW	
			15-MAR-72	C. F. B. [Signature]	

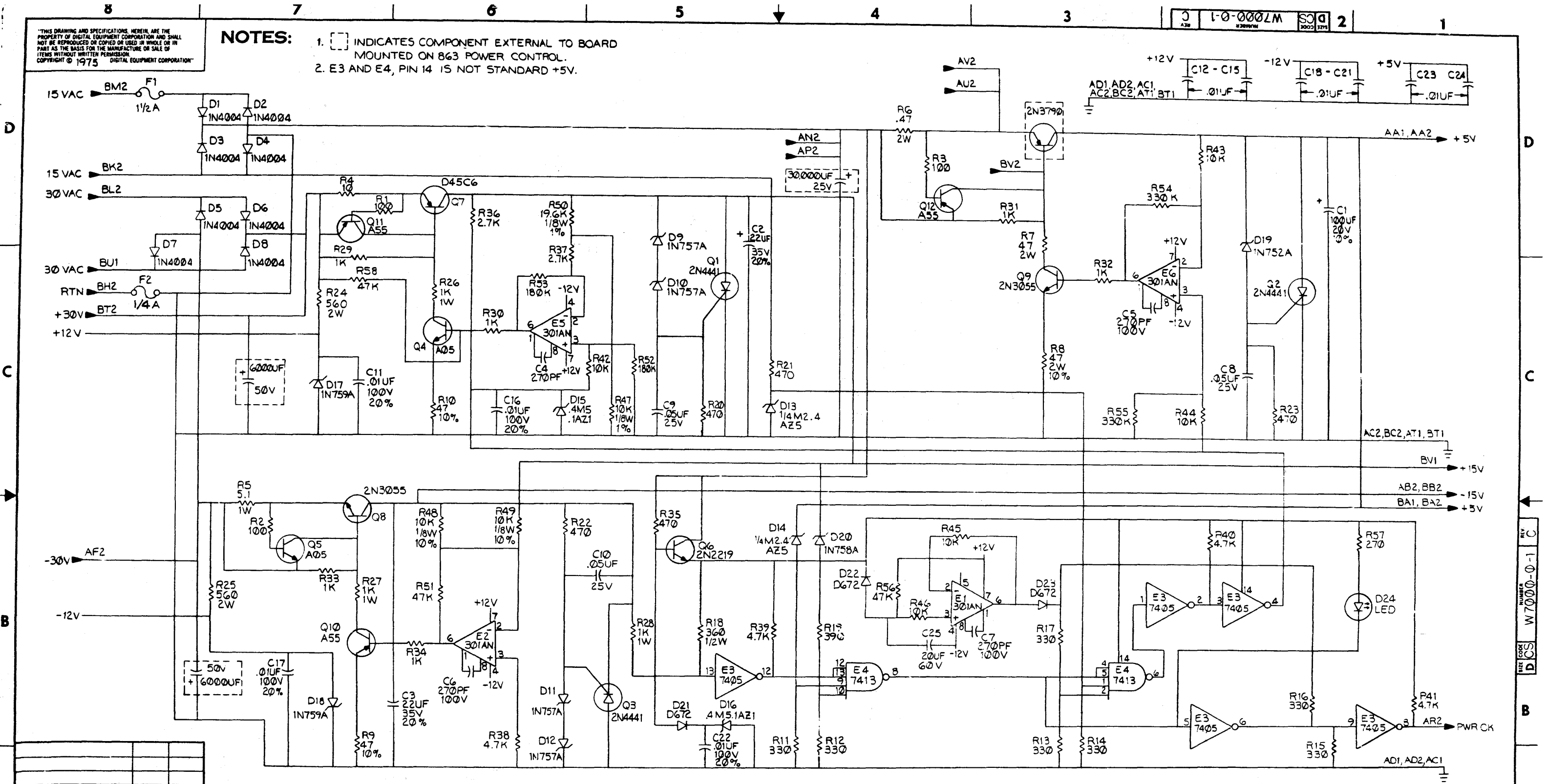
FIRST USED ON OPTION/MODEL	QTY.	DESCRIPTION	PART NO.	ITEM NO.
863				
UNLESS OTHERWISE SPECIFIED DIMENSION IN INCHES. TOLERANCES				
DECIMALS	ANGLES	DRN. DATE	PARTS LIST	
.xxx - .005	±0° 30'	10/30/73	DIGITAL EQUIPMENT CORPORATION	
.xx - .02		DATE	MAYNARD MASSACHUSETTS	
.x - .1		DATE	TITLE	
REMOVE BURRS AND BREAK SHARP CORNERS SURFACE QUALITY		DATE	WIRED ASSY	
MATERIAL	NEXT HIGHER ASSY.	DATE	(CHASSIS 863 P.C.)	
SEE PARTS LIST	E-UA-863-C-0	7/6/74	SIZE CODE	NUMBER
FINISH	SCALE 1/1		C AD	7009632-0-0
	SHEET 1 OF 2		DIST.	REV. C

BRUNING 40-107 15968

REV. C
NUMBER 7009632-0-0
SIZE CODE C AD

"THIS DRAWING AND SPECIFICATIONS, HEREIN, ARE THE PROPERTY OF DIGITAL EQUIPMENT CORPORATION AND SHALL NOT BE REPRODUCED OR COPIED OR USED IN WHOLE OR IN PART AS THE BASIS FOR THE MANUFACTURE OR SALE OF ITEMS WITHOUT WRITTEN PERMISSION.
 COPYRIGHT © 1975 DIGITAL EQUIPMENT CORPORATION"

NOTES:
 1. [] INDICATES COMPONENT EXTERNAL TO BOARD MOUNTED ON 863 POWER CONTROL.
 2. E3 AND E4, PIN 14 IS NOT STANDARD +5V.



SEE NOTE 2				
I.C. 301AN			7	4
IC TYPE	GND	+5V	+12V	-12V
GND AND 5V ARE USUALLY PIN 7 AND 14 RESPECTIVELY EXCEPTIONS ARE STATED ABOVE				
IC PIN LOCATIONS				

QTY	REF. DESIGNATION	DESCRIPTION	PART NO.	ITEM NO.
FIRST USED ON OPTION MODEL 863				
ETCH BOARD-REV				
PARTS LIST				
DRN. E. Remond DATE 4-2-75				
CHK'D. R. CONSTANTINIAN DATE 6-28-74				
ENG. J. DREW DATE 10-4-74				
PROJ. ENG. J. DREW DATE 10-4-74				
PROD. O. REZEK DATE 10-4-74				
NEXT HIGHER ASSY B-DD-W7000-0				
SIZE CODE D CS				
NUMBER W7000-0-1				
REV. C				
SCALE 1 OF 1				
SHEET 1 OF 1				
SEMICONDUCTOR CONVERSION CHART				

REVISIONS
 J. DREW 7-24-75
 E. Remond 4-2-75
 REVISED & REDRAWN
 W7000-00001 C
 CHANGE NO. 1
 CHK

LINE ITEM	DOCUMENT NUMBER	PART NUMBER	DESCRIPTION	QUANTITY PER VARIATION	
				00	01
1	D-CS-7009878-0-1		*** THIS ITEM IS NOT USED ***	-	-
2	E-IA-7411731-0-0	7411731-00	BOX CAPACOTOR (70-9475)	2	2
3	D-IA-7411867-0-0	7411867-00	PLATE BUSS KL10 (70-9878)	1	1
4	D-IA-7411868-0-0	7411868-00	PLATE TOP BUSS KL10 (709878)	1	1
5		9006037-02	SCREW,FLAT,PHIL, 8-32X 3/8	12	12
6	C-MD-7411873-0-0	7411873-00	PLATE PROT KL10 (70-9878)	1	-
7	C-IA-7411829-0-0	7411829-00	PLATE MTG CAP BOX KL10 (70-9878)	3	-
8		1011479-00	300,000 MFD 15V +75-10% AL EL	13	13
9		1300158-00	4.0 55.0 W10.0 % WN	4	4
10		9006035-01	SCREW,PAN,PHIL 8-32X 1/4 SS	8	8
11		9006070-01	*** THIS ITEM IS NOT USED ***	-	-
12	B-MD-7412614-0-0	7412614-00	STANDOFF MALE-FEMALE RWRK (KL10)	13	13
13		9008208-01	SCREW, NYLON, SLTD PAN HD, 8-32	5	5
14		9006073-01	*** THIS ITEM IS NOT USED ***	-	-
15		9006635-00	WASHER,LOCK,INT,,3100D X .200ID	26	26
16		9006037-01	SCREW,PAN,PHIL 8-32X 3/8 SS	15	15
17		9006634-00	WASHER,LOCK,INT,,2300D X .172ID	18	18
18	C-IA-7412340-0-0	7412340-00	HOLDDOWN CAPACITOR KL10 (70-9878)	1	1
19		9006563-00	NUT,KEP 8-32X 11/13AF	5	5
20		9107370-22	WIRE,STRND,14AWG,IPVC UL1534	A/R	A/R
21		9107370-00	WIRE,STRND,14AWG,IPVC UL1534	A/R	A/R
22		9007928-00	TERM,RING #10STUD CRIMP 14-1	2	2
23		9006021-01	SCREW,PAN,PHIL 6-32X 5/16 SS	2	2
24		9006633-00	WASHER,LOCK,INT,,2800D X .146ID	2	2
25		9009255-00	LABEL, POWER SUPPLY, 2-15/16 " L	1	1
26	B-MD-7410941-0-0	7410941-00	CABLE STRAIN RELIEF KL10 (70-987	1	1
27	B-DC-5308754-0-0	5308754-00	DECAL	1	1
28		9007046-00	GROMMET #3 G6-3	A/R	A/R
29		9009102-00	FOAM, POLYURETHANE, 3/8 THK. X 1	A/R	A/R
30	C-MD-7411873-0-0	7411873-01	PLATE PROTECTOR	-	1


REVISION HISTORY		BASIC PART NO: 7009878		DRN: V, SOUZA		DATE: 26-MAR-74		D I G I T A L	
ENG	ECU NUMBER	REV	SECTION A OF A	CHK'D	D, HEALEY	DATE	10-MAY-74	TITLE	PARTS LIST
BW	7009878-MR004	E	SECTION, VARIATION INDEX					CAPACITOR BOX ASSY	
			(A) 00,01						
			(B)	DES,ENG.	J. PROVIDENT	DATE	15-AUG-74		
			(C)	RESP,ENG.	J. PROVIDENT	DATE	19-SEP-74	DOCUMENT NUMBER	
			(D)					SIZE CODE NUMBER	REV
			(E)	MFG,ENG.	R. BOWER	DATE	1-OCT-74	K PL 7009878-0-DBP	E
			(F)	ASSEMBLY NUMBER:		TOP DOCUMENT NUMBER:		FILE NAME:	EDIT
				E-AD-7009878-0-0		B-DD-KL10-0		Z2733E,PLS	9

"THIS DRAWING AND SPECIFICATIONS HEREIN, ARE THE PROPERTY OF DIGITAL EQUIPMENT CORPORATION AND SHALL NOT BE REPRODUCED OR COPIED OR USED IN WHOLE OR IN PART AS THE BASIS FOR THE MANUFACTURE OR SALE OF ITEMS WITHOUT WRITTEN PERMISSION. COPYRIGHT (C) 1981, DIGITAL EQUIPMENT CORPORATION"

THIS DRAWING AND SPECIFICATIONS, HEREIN, ARE THE PROPERTY OF DIGITAL EQUIPMENT CORPORATION AND SHALL NOT BE REPRODUCED OR COPIED OR USED IN WHOLE OR IN PART AS THE BASIS FOR THE MANUFACTURE OR SALE OF ITEMS WITHOUT WRITTEN PERMISSION. COPYRIGHT © 1974, DIGITAL EQUIPMENT CORPORATION

WIRE TABLE					REMARKS
ITEM NO	DESCRIPTION		FROM	TO	SIGNAL NAME
	AWG	COLOR	CONNECTION	CONNECTION	
10	30	YEL	A01C1	A01C2	GND
			A01C2	A01D1	
			A01D1	A01D2	
			A03C2	A03K1	
			A04C2	A04M2	
			B04C2	B04D2	
			B04D2	B04E2	
			B04E2	B04F2	
			B04F2	B04H2	
			B04H2	B04J2	
			B04J2	B04K2	
			B04K2	B04L2	
			B04L2	B04M2	
			B04M2	B04P2	GND
			A01A1	A01A2	+ 5 VOLTS
			A01A2	B01A1	
			B01A1	B01A2	
			A04A2	A04P2	
			A04A2	A04R1	+ 5 VOLTS
			B01V1	A02C1	+15 VOLTS
			A02C1	B02C1	+15 VOLTS
			A03F1	A04J2	PHASE 1A
			A03H1	A04K1	PHASE 1B
			A03J1	A04K2	PHASE 2A
			A03J2	A04L1	PHASE 2B
			A03E2	A04L2	PHASE 3A
			A03D2	A04M1	PHASE 3B
			B01M2	A04D1	18 VAC A
			B01K2	A04D2	18 VAC B
			B01L2	A04E1	3Ø VAC A
			B01U1	A04E2	3Ø VAC B
			B01H2	A04F1	3Ø VAC RTN
			A01N2	A04H1	+18V RAW
			A01P2	A04H2	+18V RAW
			B01T2	A04J1	+ 3ØV RAW
			A01F2	A04F2	-3ØV RAW
			A02L2	B03J2	AIR FLOW A (L)
			A02C1	A03C1	+15V
			B04A2	A05A2	+5V
			A02M2	B03V2	PWR UP(L)
			B03U2	B04N2	PWR LED (L)
			B02V1	B03V1	MST PWR ON(H)
			B02D2	B01D2	PWR WARNING(L)
			B03T1	B02F2	GND
			B01T1	B02V2	GND
10	30	YEL	SWI-NC	A02M2	RESET/PWR UP(L)

WIRE TABLE					REMARKS
ITEM NO	DESCRIPTION		FROM	TO	SIGNAL NAME
	AWG	COLOR	CONNECTION	CONNECTION	
10	30	YEL	B03J2	B04D1	AIR FLOW A (L)
			A02K2	B03L2	AIR FLOW B (L)
			B03L2	B04E1	AIR FLOW B (L)
			A02J2	B03M2	AIR FLOW C (L)
			B03M2	B04F1	AIR FLOW C (L)
			A02H2	B03N2	AIR FLOW D (L)
			B03N2	B04H1	AIR FLOW D (L)
			A02D2	B03R2	OVERTEMP (L)
			B03R2	B04J1	OVERTEMP (L)
			A02E2	B03S2	CKT BKR (L)
			B03S2	B04K1	CKT BKR (L)
			A02F2	B03T2	DOOR OPEN A (L)
			B03T2	B04L1	DOOR OPEN A (L)
			A02B1	B04M1	DOOR OPEN B (L)
			A01R2	SWI-C	POWER UP (L)
			A02N2	B03A1	PWR REQUEST (L)
			B03A1	B04P1	PWR REQUEST (L)
			A02U2	B04N1	FAULT (L)
			A02A1	A03U1	AC LOW (H)
			A02P2	A03K2	OVERRIDE (L)
			A03K2	B03U1	OVERRIDE (L)
10		YEL	B03U1	B04R1	OVERRIDE (L)
11		BLK/WHT	B02L2	B04S1	CROBAR (L)
		TWP	B02V2	B04S2	CROBAR RTN
		BLK/WHT	B02D2	B04U1	PWR WARNING (L)
		TWP	B02F2	B04U2	PWR WARNING RTN
		BLK/WHT	A02R2	B04V1	PWR DOWN (L)
11		TWP	A02V2	B04V2	PWR DOWN RTN
10		YEL	B01V2	A04P1	+ 5V DRIVE
10			A01U2	A04N1	+18V
10			A01V2	A04N2	+18V
10	30	YEL	A04N1	A04N2	+18V
12&14			B01A2	B01D2	+5V
13&14			B01D2	B02T1	GND

FIRST USED ON OPTION/MODEL 863	QTY.	DESCRIPTION	PART NO.	ITEM NO.
PARTS LIST				
UNLESS OTHERWISE SPECIFIED DIMENSION IN INCHES	DRN. <i>M. G. G.</i>	DATE 6/15/74	 digital EQUIPMENT CORPORATION MAYNARD MASSACHUSETTS	
TOLERANCES	CHK'D. <i>R. J. J.</i>	DATE 6/15/74		
DECIMALS .xxx = .005	PROJ. ENG. <i>R. J. J.</i>	DATE 6/15/74		
ANGLES ±0° 30'	PROD. <i>R. J. J.</i>	DATE 6/15/74		
REMOVE BURRS AND BREAK SHARP CORNERS SURFACE QUALITY ✓	NEXT HIGHER ASSY.		TITLE WIRED ASSY (CHASSIS 863 P.C.)	
MATERIAL SEE PARTS LIST	E-L-863-0-0		SIZE CODE C AD	NUMBER 7009632-0-0
FINISH ++	SCALE NONE	SHEET 2 OF 2	DIST.	REV. C

SIZE CODE NUMBER
C AD 7009632-0-0
REV C

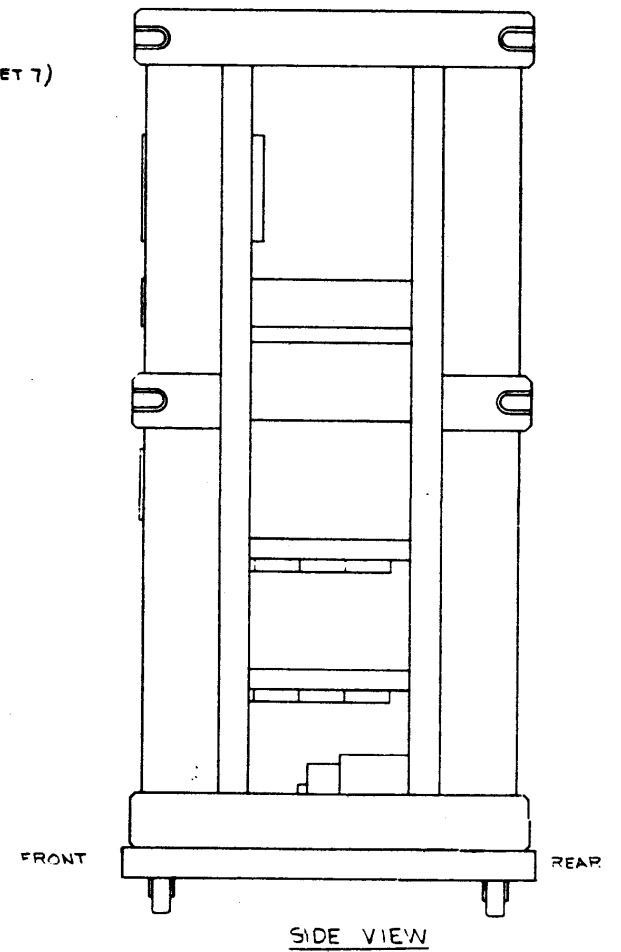
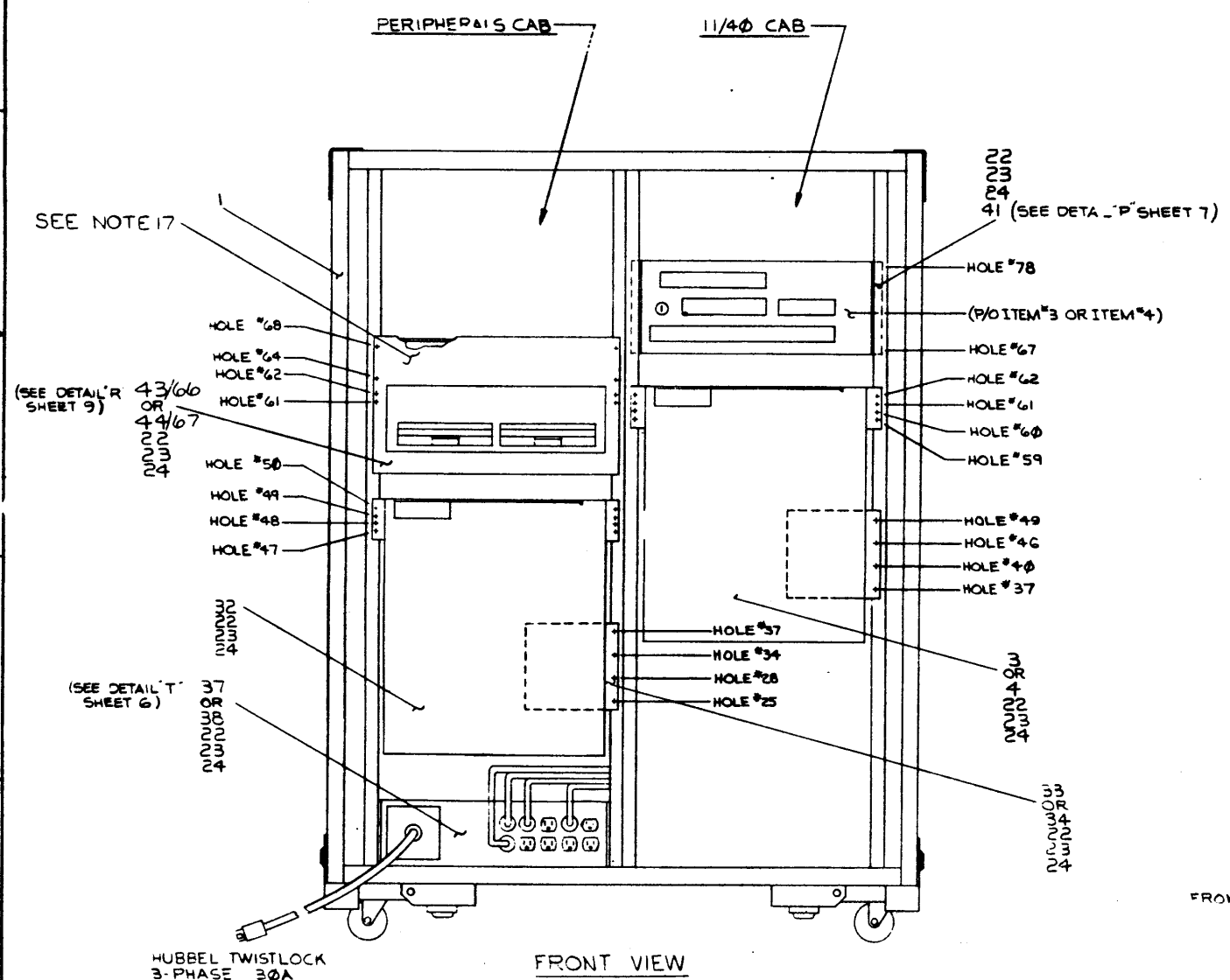
REVISIONS
CHK CHANGE INC REV

UNLESS OTHERWISE SPECIFIED DIMENSIONS ARE IN INCHES

NOTES:

1. REMOVE M930 UNIBUS TERMINATOR FROM SLOT A809 OF THE MF11-UP. INSTALL IN A804 OF DD11-B.
2. REMOVE ALL M920 UNIBUS JUMPERS AND REPLACE WITH ITEM#12
3. LOOP EXCESS BC05C-25 CABLE IN THE BOTTOM OF THE CABINET. A K315 MODEM TEST CONNECTOR (ITEM#5 OF A-PL-D11-0-0) IS REQUIRED FOR TESTING THIS OPTION AND SHOULD BE INCLUDED AS PART OF THE ACCESSORY'S PACKAGE WHEN SHIPPED.
4. THE 7009053-0-0 CONSOLE TO POWER CONTROL HARNESS (2 WIRE, 12 FEET) SHOULD NOT BE ROUTED WITH THE MAIN BODY HARNESS AS IS NORMALLY DONE BUT RATHER LEFT FREE OF ANY DRESSING VIA CABLE TIES BECAUSE IT WILL BE REMOVED AT THE NEXT HIGHER ASSY END CONNECTIONS AT THIS LEVEL, HOWEVER, MAY BE MADE NORMALLY.
5. REMOVE BOTH M688 MODULES FROM SLOTS E04 AND E05 AND THE M9300 MODULE FROM SLOT A807 IN THE RH11.
6. SEE THE 11/40-A PRINT SET FOR PARTS LIST AND DETAILS OF CONSTRUCTION OF THIS SUBASSEMBLY.
7. KY11-D SHALL BE REMOVED FROM ITS NORMAL POSITION ON THE 11/40 DRAWER AND PLACED DIRECTLY ABOVE THE DRAWER USING ITEM#4. STANDARD INTERCONNECTING CABLES SHALL BE REPLACED WITH ITEM#2.
8. ONE 6727 GRANT CONTINUITY MOD IS REQUIRED IN EACH D SLOT NO. CONTAINING A SMALL PERIPHERAL CONTROLLER (NORMALLY SUPPLIED WITH DD11-B AND RH11-AB).
9. 6727 GRANT CONTINUITY MODULES NOT REQUIRED WITH UNITS WIRED TO WIRE LIST K-WL-RH11-0-12 OR HIGHER.
10. SHIPPING BRACKET (ITEM#16) MAY BE REMOVED AFTER SYSTEM HAS BEEN INSTALLED AT END USER SITE.
11. SHIP 11/40 DECAL AND EXPANDER BOX DECAL LOOSE PIECE WITH UNIT IN SAME BOX AS BEZEL AND SILK SCREEN.
12. THERE IS AN INTERLOCK ARRANGEMENT IN EFFECT BETWEEN THE STABILIZER ARMS AND THE 11/40 AND PERIPHERALS DRAWERS. NEITHER DRAWER WILL SLIDE OUT UNTIL THE STABILIZER ARM ASSOCIATED WITH THAT DRAWER IS FULLY EXTENDED. BOTH STABILIZER ARMS SHOULD BE FULLY EXTENDED WHEN EITHER DRAWER IS PULLED OUT IN ORDER TO PROVIDE AN ADDED FACTOR OF SAFETY. REMOVE STABILIZER ARMS PRIOR TO SHIPPING AND PUT IN LOOSE PIECE BOX.
13. THE MOUNTING FLANGES OF THE RY01/RX02 CHASSIS SLIDES MUST BE MOUNTED ON THE INSIDE SURFACES OF THE VERTICAL MEMBERS OF THE CABINET USING THE NUT BARS THAT COME WITH THE SLIDE.
14. ITEMS 61 AND 62 NECESSARY FOR WARRIOR-2 ONLY (24BY SYSTEMS). SEE DETAIL "H" FOR WIRING INSTRUCTIONS.
15. THE BC11-A-2 CABLE (ITEM#64) SHOULD NOT BE INSTALLED. IT SHOULD BE INCLUDED AS A LOOSE PIECE ITEM FOR FUTURE INTEGRATION INTO THE NEXT HIGHER ASSEMBLY.
16. DO NOT PLUG IN "P2" OF THE DB11-A BUS REPEATER.

CONTINUED ON SHEET 2 OF 12.
CAUTION: OFF SHEET PARTS LIST EX 5'S
SEE A-PL-701418-0-DBP



REV	DATE	BY	DESCRIPTION
1	10/10/70	W. J. GROSS	ISSUED FOR FABRICATION
2	10/10/70	W. J. GROSS	REVISED TO INCLUDE 11/40 CONSOLE
3	10/10/70	W. J. GROSS	REVISED TO INCLUDE PERIPHERALS CAB
4	10/10/70	W. J. GROSS	REVISED TO INCLUDE HUBBEL TWISTLOCK
5	10/10/70	W. J. GROSS	REVISED TO INCLUDE 3-PHASE 30A
6	10/10/70	W. J. GROSS	REVISED TO INCLUDE 11/40 DRAWER
7	10/10/70	W. J. GROSS	REVISED TO INCLUDE PERIPHERALS DRAWER
8	10/10/70	W. J. GROSS	REVISED TO INCLUDE 11/40 CONSOLE
9	10/10/70	W. J. GROSS	REVISED TO INCLUDE PERIPHERALS CAB
10	10/10/70	W. J. GROSS	REVISED TO INCLUDE HUBBEL TWISTLOCK
11	10/10/70	W. J. GROSS	REVISED TO INCLUDE 3-PHASE 30A
12	10/10/70	W. J. GROSS	REVISED TO INCLUDE 11/40 DRAWER
13	10/10/70	W. J. GROSS	REVISED TO INCLUDE PERIPHERALS DRAWER
14	10/10/70	W. J. GROSS	REVISED TO INCLUDE 11/40 CONSOLE
15	10/10/70	W. J. GROSS	REVISED TO INCLUDE PERIPHERALS CAB
16	10/10/70	W. J. GROSS	REVISED TO INCLUDE HUBBEL TWISTLOCK
17	10/10/70	W. J. GROSS	REVISED TO INCLUDE 3-PHASE 30A
18	10/10/70	W. J. GROSS	REVISED TO INCLUDE 11/40 DRAWER
19	10/10/70	W. J. GROSS	REVISED TO INCLUDE PERIPHERALS DRAWER
20	10/10/70	W. J. GROSS	REVISED TO INCLUDE 11/40 CONSOLE
21	10/10/70	W. J. GROSS	REVISED TO INCLUDE PERIPHERALS CAB
22	10/10/70	W. J. GROSS	REVISED TO INCLUDE HUBBEL TWISTLOCK
23	10/10/70	W. J. GROSS	REVISED TO INCLUDE 3-PHASE 30A
24	10/10/70	W. J. GROSS	REVISED TO INCLUDE 11/40 DRAWER
25	10/10/70	W. J. GROSS	REVISED TO INCLUDE PERIPHERALS DRAWER
26	10/10/70	W. J. GROSS	REVISED TO INCLUDE 11/40 CONSOLE
27	10/10/70	W. J. GROSS	REVISED TO INCLUDE PERIPHERALS CAB
28	10/10/70	W. J. GROSS	REVISED TO INCLUDE HUBBEL TWISTLOCK
29	10/10/70	W. J. GROSS	REVISED TO INCLUDE 3-PHASE 30A
30	10/10/70	W. J. GROSS	REVISED TO INCLUDE 11/40 DRAWER
31	10/10/70	W. J. GROSS	REVISED TO INCLUDE PERIPHERALS DRAWER
32	10/10/70	W. J. GROSS	REVISED TO INCLUDE 11/40 CONSOLE
33	10/10/70	W. J. GROSS	REVISED TO INCLUDE PERIPHERALS CAB
34	10/10/70	W. J. GROSS	REVISED TO INCLUDE HUBBEL TWISTLOCK
35	10/10/70	W. J. GROSS	REVISED TO INCLUDE 3-PHASE 30A
36	10/10/70	W. J. GROSS	REVISED TO INCLUDE 11/40 DRAWER
37	10/10/70	W. J. GROSS	REVISED TO INCLUDE PERIPHERALS DRAWER
38	10/10/70	W. J. GROSS	REVISED TO INCLUDE 11/40 CONSOLE
39	10/10/70	W. J. GROSS	REVISED TO INCLUDE PERIPHERALS CAB
40	10/10/70	W. J. GROSS	REVISED TO INCLUDE HUBBEL TWISTLOCK
41	10/10/70	W. J. GROSS	REVISED TO INCLUDE 3-PHASE 30A
42	10/10/70	W. J. GROSS	REVISED TO INCLUDE 11/40 DRAWER
43	10/10/70	W. J. GROSS	REVISED TO INCLUDE PERIPHERALS DRAWER
44	10/10/70	W. J. GROSS	REVISED TO INCLUDE 11/40 CONSOLE
45	10/10/70	W. J. GROSS	REVISED TO INCLUDE PERIPHERALS CAB
46	10/10/70	W. J. GROSS	REVISED TO INCLUDE HUBBEL TWISTLOCK
47	10/10/70	W. J. GROSS	REVISED TO INCLUDE 3-PHASE 30A
48	10/10/70	W. J. GROSS	REVISED TO INCLUDE 11/40 DRAWER
49	10/10/70	W. J. GROSS	REVISED TO INCLUDE PERIPHERALS DRAWER
50	10/10/70	W. J. GROSS	REVISED TO INCLUDE 11/40 CONSOLE
51	10/10/70	W. J. GROSS	REVISED TO INCLUDE PERIPHERALS CAB
52	10/10/70	W. J. GROSS	REVISED TO INCLUDE HUBBEL TWISTLOCK
53	10/10/70	W. J. GROSS	REVISED TO INCLUDE 3-PHASE 30A
54	10/10/70	W. J. GROSS	REVISED TO INCLUDE 11/40 DRAWER
55	10/10/70	W. J. GROSS	REVISED TO INCLUDE PERIPHERALS DRAWER
56	10/10/70	W. J. GROSS	REVISED TO INCLUDE 11/40 CONSOLE
57	10/10/70	W. J. GROSS	REVISED TO INCLUDE PERIPHERALS CAB
58	10/10/70	W. J. GROSS	REVISED TO INCLUDE HUBBEL TWISTLOCK
59	10/10/70	W. J. GROSS	REVISED TO INCLUDE 3-PHASE 30A
60	10/10/70	W. J. GROSS	REVISED TO INCLUDE 11/40 DRAWER
61	10/10/70	W. J. GROSS	REVISED TO INCLUDE PERIPHERALS DRAWER
62	10/10/70	W. J. GROSS	REVISED TO INCLUDE 11/40 CONSOLE
63	10/10/70	W. J. GROSS	REVISED TO INCLUDE PERIPHERALS CAB
64	10/10/70	W. J. GROSS	REVISED TO INCLUDE HUBBEL TWISTLOCK
65	10/10/70	W. J. GROSS	REVISED TO INCLUDE 3-PHASE 30A
66	10/10/70	W. J. GROSS	REVISED TO INCLUDE 11/40 DRAWER
67	10/10/70	W. J. GROSS	REVISED TO INCLUDE PERIPHERALS DRAWER
68	10/10/70	W. J. GROSS	REVISED TO INCLUDE 11/40 CONSOLE
69	10/10/70	W. J. GROSS	REVISED TO INCLUDE PERIPHERALS CAB
70	10/10/70	W. J. GROSS	REVISED TO INCLUDE HUBBEL TWISTLOCK
71	10/10/70	W. J. GROSS	REVISED TO INCLUDE 3-PHASE 30A
72	10/10/70	W. J. GROSS	REVISED TO INCLUDE 11/40 DRAWER
73	10/10/70	W. J. GROSS	REVISED TO INCLUDE PERIPHERALS DRAWER
74	10/10/70	W. J. GROSS	REVISED TO INCLUDE 11/40 CONSOLE
75	10/10/70	W. J. GROSS	REVISED TO INCLUDE PERIPHERALS CAB
76	10/10/70	W. J. GROSS	REVISED TO INCLUDE HUBBEL TWISTLOCK
77	10/10/70	W. J. GROSS	REVISED TO INCLUDE 3-PHASE 30A
78	10/10/70	W. J. GROSS	REVISED TO INCLUDE 11/40 DRAWER
79	10/10/70	W. J. GROSS	REVISED TO INCLUDE PERIPHERALS DRAWER
80	10/10/70	W. J. GROSS	REVISED TO INCLUDE 11/40 CONSOLE

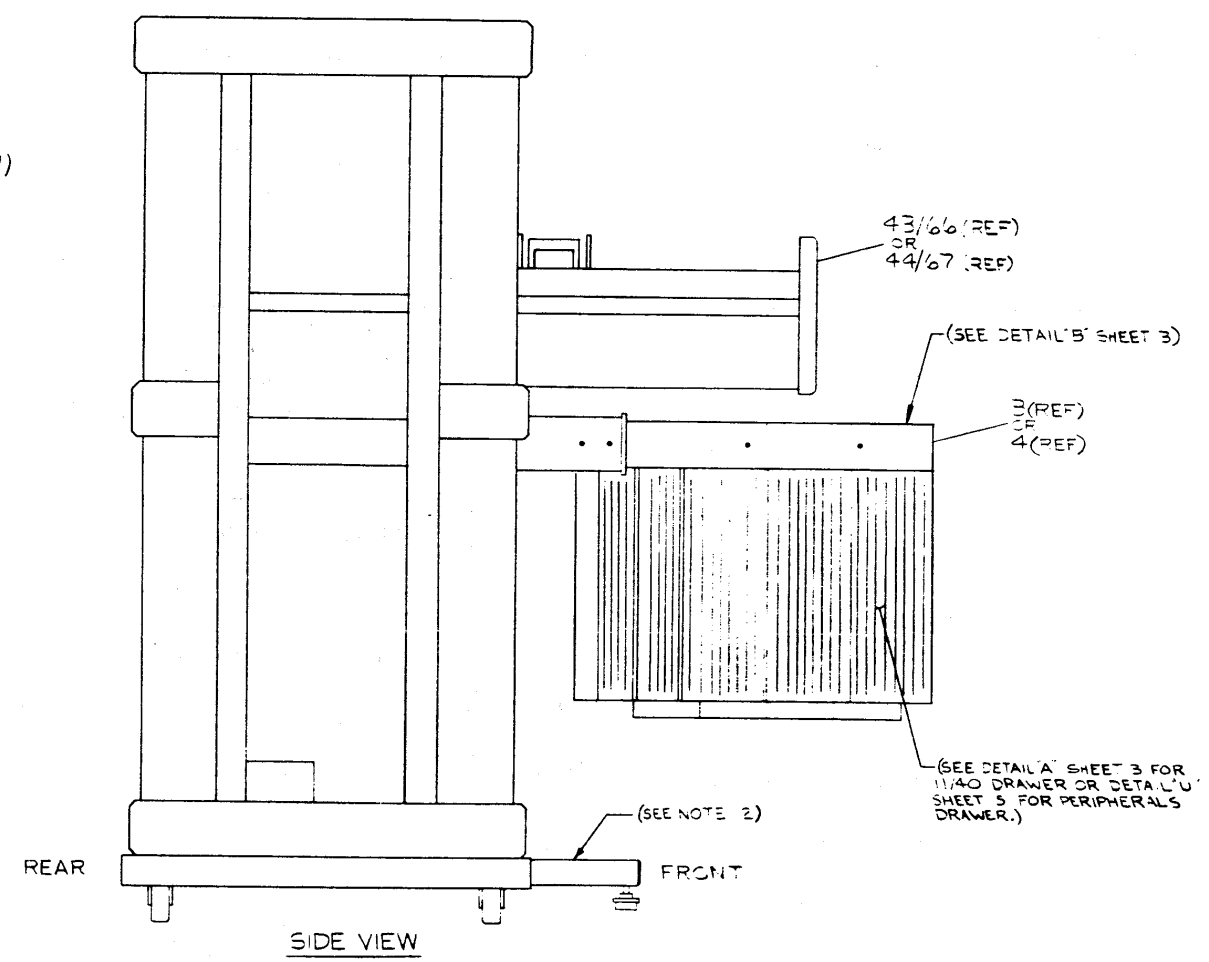
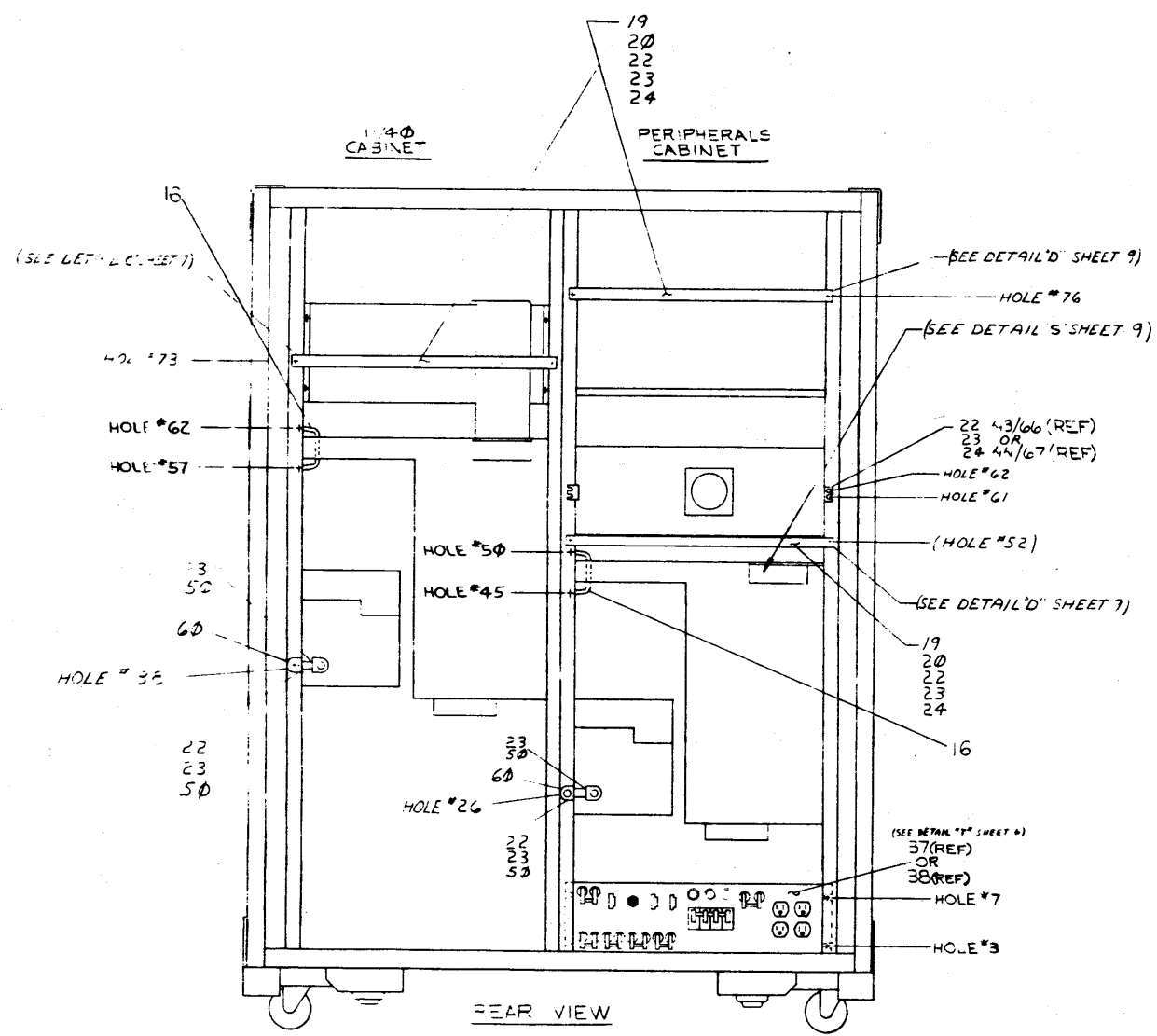
REV	DATE	BY	DESCRIPTION
1	10/10/70	W. J. GROSS	ISSUED FOR FABRICATION
2	10/10/70	W. J. GROSS	REVISED TO INCLUDE 11/40 CONSOLE
3	10/10/70	W. J. GROSS	REVISED TO INCLUDE PERIPHERALS CAB
4	10/10/70	W. J. GROSS	REVISED TO INCLUDE HUBBEL TWISTLOCK
5	10/10/70	W. J. GROSS	REVISED TO INCLUDE 3-PHASE 30A
6	10/10/70	W. J. GROSS	REVISED TO INCLUDE 11/40 DRAWER
7	10/10/70	W. J. GROSS	REVISED TO INCLUDE PERIPHERALS DRAWER
8	10/10/70	W. J. GROSS	REVISED TO INCLUDE 11/40 CONSOLE
9	10/10/70	W. J. GROSS	REVISED TO INCLUDE PERIPHERALS CAB
10	10/10/70	W. J. GROSS	REVISED TO INCLUDE HUBBEL TWISTLOCK
11	10/10/70	W. J. GROSS	REVISED TO INCLUDE 3-PHASE 30A
12	10/10/70	W. J. GROSS	REVISED TO INCLUDE 11/40 DRAWER
13	10/10/70	W. J. GROSS	REVISED TO INCLUDE PERIPHERALS DRAWER
14	10/10/70	W. J. GROSS	REVISED TO INCLUDE 11/40 CONSOLE
15	10/10/70	W. J. GROSS	REVISED TO INCLUDE PERIPHERALS CAB
16	10/10/70	W. J. GROSS	REVISED TO INCLUDE HUBBEL TWISTLOCK
17	10/10/70	W. J. GROSS	REVISED TO INCLUDE 3-PHASE 30A
18	10/10/70	W. J. GROSS	REVISED TO INCLUDE 11/40 DRAWER
19	10/10/70	W. J. GROSS	REVISED TO INCLUDE PERIPHERALS DRAWER
20	10/10/70	W. J. GROSS	REVISED TO INCLUDE 11/40 CONSOLE
21	10/10/70	W. J. GROSS	REVISED TO INCLUDE PERIPHERALS CAB
22	10/10/70	W. J. GROSS	REVISED TO INCLUDE HUBBEL TWISTLOCK
23	10/10/70	W. J. GROSS	REVISED TO INCLUDE 3-PHASE 30A
24	10/10/70	W. J. GROSS	REVISED TO INCLUDE 11/40 DRAWER
25	10/10/70	W. J. GROSS	REVISED TO INCLUDE PERIPHERALS DRAWER
26	10/10/70	W. J. GROSS	REVISED TO INCLUDE 11/40 CONSOLE
27	10/10/70	W. J. GROSS	REVISED TO INCLUDE PERIPHERALS CAB
28	10/10/70	W. J. GROSS	REVISED TO INCLUDE HUBBEL TWISTLOCK
29	10/10/70	W. J. GROSS	REVISED TO INCLUDE 3-PHASE 30A
30	10/10/70	W. J. GROSS	REVISED TO INCLUDE 11/40 DRAWER
31	10/10/70	W. J. GROSS	REVISED TO INCLUDE PERIPHERALS DRAWER
32	10/10/70	W. J. GROSS	REVISED TO INCLUDE 11/40 CONSOLE
33	10/10/70	W. J. GROSS	REVISED TO INCLUDE PERIPHERALS CAB
34	10/10/70	W. J. GROSS	REVISED TO INCLUDE HUBBEL TWISTLOCK
35	10/10/70	W. J. GROSS	REVISED TO INCLUDE 3-PHASE 30A
36	10/10/70	W. J. GROSS	REVISED TO INCLUDE 11/40 DRAWER
37	10/10/70	W. J. GROSS	REVISED TO INCLUDE PERIPHERALS DRAWER
38	10/10/70	W. J. GROSS	REVISED TO INCLUDE 11/40 CONSOLE
39	10/10/70	W. J. GROSS	REVISED TO INCLUDE PERIPHERALS CAB
40	10/10/70	W. J. GROSS	REVISED TO INCLUDE HUBBEL TWISTLOCK
41	10/10/70	W. J. GROSS	REVISED TO INCLUDE 3-PHASE 30A
42	10/10/70	W. J. GROSS	REVISED TO INCLUDE 11/40 DRAWER
43	10/10/70	W. J. GROSS	REVISED TO INCLUDE PERIPHERALS DRAWER
44	10/10/70	W. J. GROSS	REVISED TO INCLUDE 11/40 CONSOLE
45	10/10/70	W. J. GROSS	REVISED TO INCLUDE PERIPHERALS CAB
46	10/10/70	W. J. GROSS	REVISED TO INCLUDE HUBBEL TWISTLOCK
47	10/10/70	W. J. GROSS	REVISED TO INCLUDE 3-PHASE 30A
48	10/10/70	W. J. GROSS	REVISED TO INCLUDE 11/40 DRAWER
49	10/10/70	W. J. GROSS	REVISED TO INCLUDE PERIPHERALS DRAWER
50	10/10/70	W. J. GROSS	REVISED TO INCLUDE 11/40 CONSOLE
51	10/10/70	W. J. GROSS	REVISED TO INCLUDE PERIPHERALS CAB
52	10/10/70	W. J. GROSS	REVISED TO INCLUDE HUBBEL TWISTLOCK
53	10/10/70	W. J. GROSS	REVISED TO INCLUDE 3-PHASE 30A
54	10/10/70	W. J. GROSS	REVISED TO INCLUDE 11/40 DRAWER
55	10/10/70	W. J. GROSS	REVISED TO INCLUDE PERIPHERALS DRAWER
56	10/10/70	W. J. GROSS	REVISED TO INCLUDE 11/40 CONSOLE
57	10/10/70	W. J. GROSS	REVISED TO INCLUDE PERIPHERALS CAB
58	10/10/70	W. J. GROSS	REVISED TO INCLUDE HUBBEL TWISTLOCK
59	10/10/70	W. J. GROSS	REVISED TO INCLUDE 3-PHASE 30A
60	10/10/70	W. J. GROSS	REVISED TO INCLUDE 11/40 DRAWER
61	10/10/70	W. J. GROSS	REVISED TO INCLUDE PERIPHERALS DRAWER
62	10/10/70	W. J. GROSS	REVISED TO INCLUDE 11/40 CONSOLE
63	10/10/70	W. J. GROSS	REVISED TO INCLUDE PERIPHERALS CAB
64	10/10/70	W. J. GROSS	REVISED TO INCLUDE HUBBEL TWISTLOCK
65	10/10/70	W. J. GROSS	REVISED TO INCLUDE 3-PHASE 30A
66	10/10/70	W. J. GROSS	REVISED TO INCLUDE 11/40 DRAWER
67	10/10/70	W. J. GROSS	REVISED TO INCLUDE PERIPHERALS DRAWER
68	10/10/70	W. J. GROSS	REVISED TO INCLUDE 11/40 CONSOLE
69	10/10/70	W. J. GROSS	REVISED TO INCLUDE PERIPHERALS CAB
70	10/10/70	W. J. GROSS	REVISED TO INCLUDE HUBBEL TWISTLOCK
71	10/10/70	W. J. GROSS	REVISED TO INCLUDE 3-PHASE 30A
72	10/10/70	W. J. GROSS	REVISED TO INCLUDE 11/40 DRAWER
73	10/10/70	W. J. GROSS	REVISED TO INCLUDE PERIPHERALS DRAWER
74	10/10/70	W. J. GROSS	REVISED TO INCLUDE 11/40 CONSOLE
75	10/10/70	W. J. GROSS	REVISED TO INCLUDE PERIPHERALS CAB
76	10/10/70	W. J. GROSS	REVISED TO INCLUDE HUBBEL TWISTLOCK
77	10/10/70	W. J. GROSS	REVISED TO INCLUDE 3-PHASE 30A
78	10/10/70	W. J. GROSS	REVISED TO INCLUDE 11/40 DRAWER
79	10/10/70	W. J. GROSS	REVISED TO INCLUDE PERIPHERALS DRAWER
80	10/10/70	W. J. GROSS	REVISED TO INCLUDE 11/40 CONSOLE

LINE ITEM	DOCUMENT NUMBER	PART NUMBER	DESCRIPTION	QUANTITY PER VARIATION	
				00	01
31	31	C-IA-7414615-0-0	7414615-00	MOUNTING PLATE, CAPACITOR BOX	- 3
32	32		9006071-03	SCREW, TRUS, PHIL, 10-32X 3/8	13 13
33	33		9006073-03	SCREW, TRUS, PHIL, 10-32X 1/2	13 13

D	I	G	I	T	A	L	TITLE	SECTION A OF A	SIZE	CODE	DOCUMENT NUMBER	REV
							CAPACITOR BOX ASSY		K	PL	7009878-0-DBP	E

THIS DRAWING AND SPECIFICATIONS SHALL BE USED FOR THE DESIGN AND CONSTRUCTION OF THE EQUIPMENT DESCRIBED HEREIN. THE USER SHALL BE RESPONSIBLE FOR OBTAINING ALL NECESSARY PERMITS AND APPROVALS FROM THE APPROPRIATE AGENCIES.

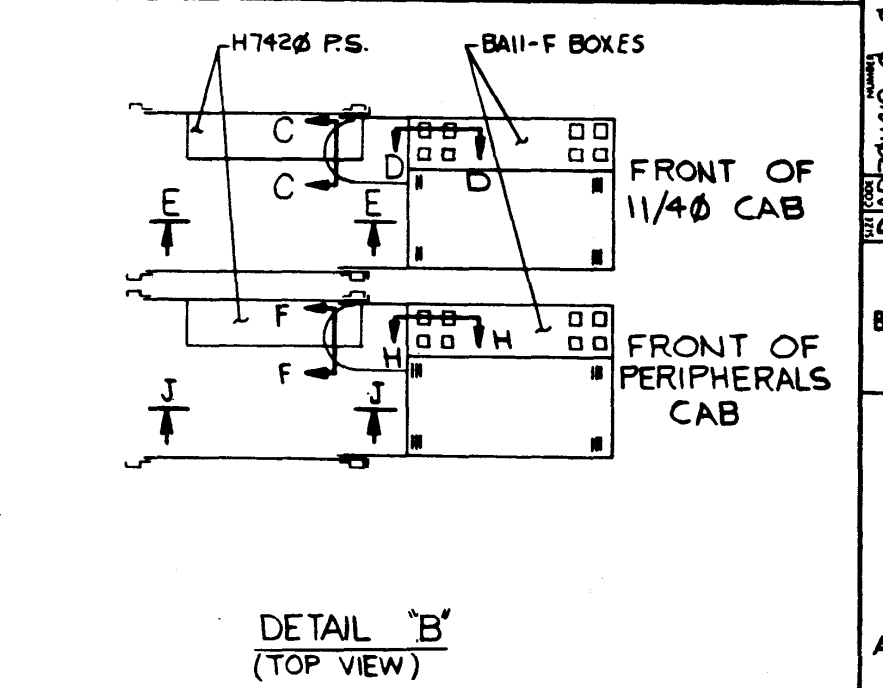
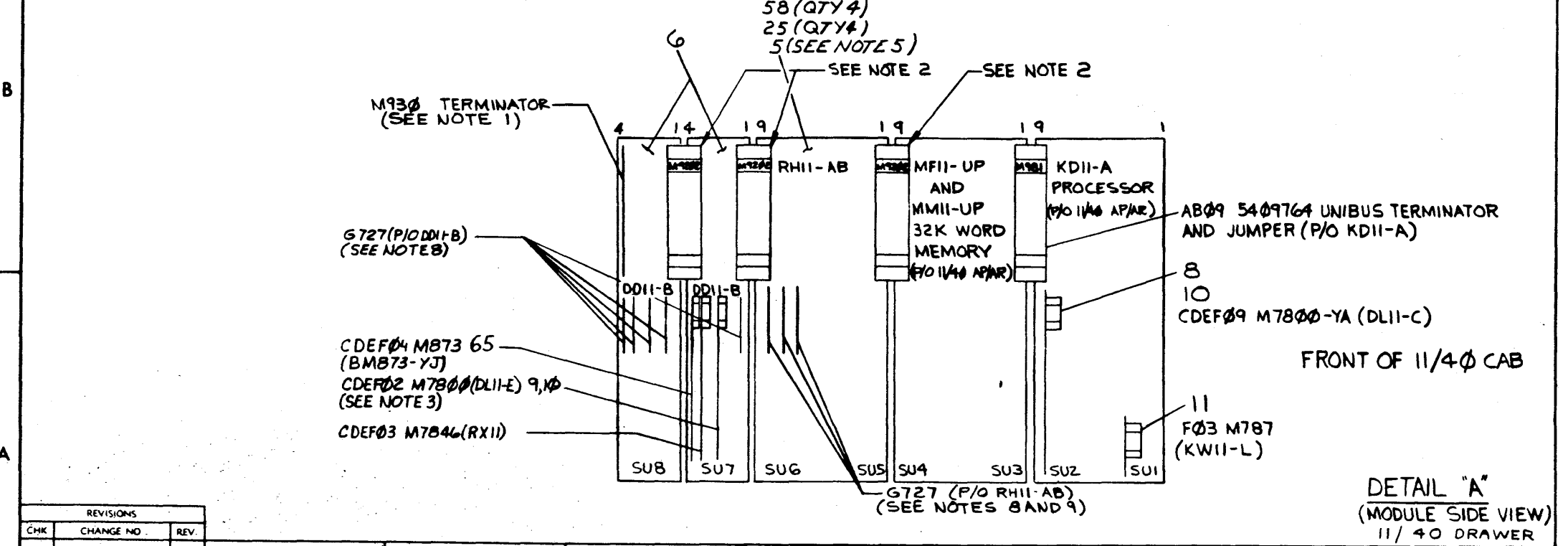
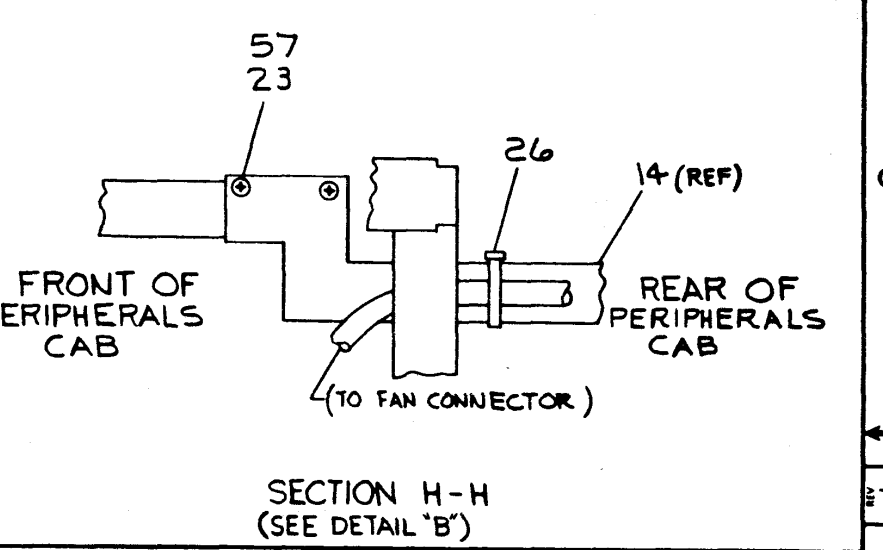
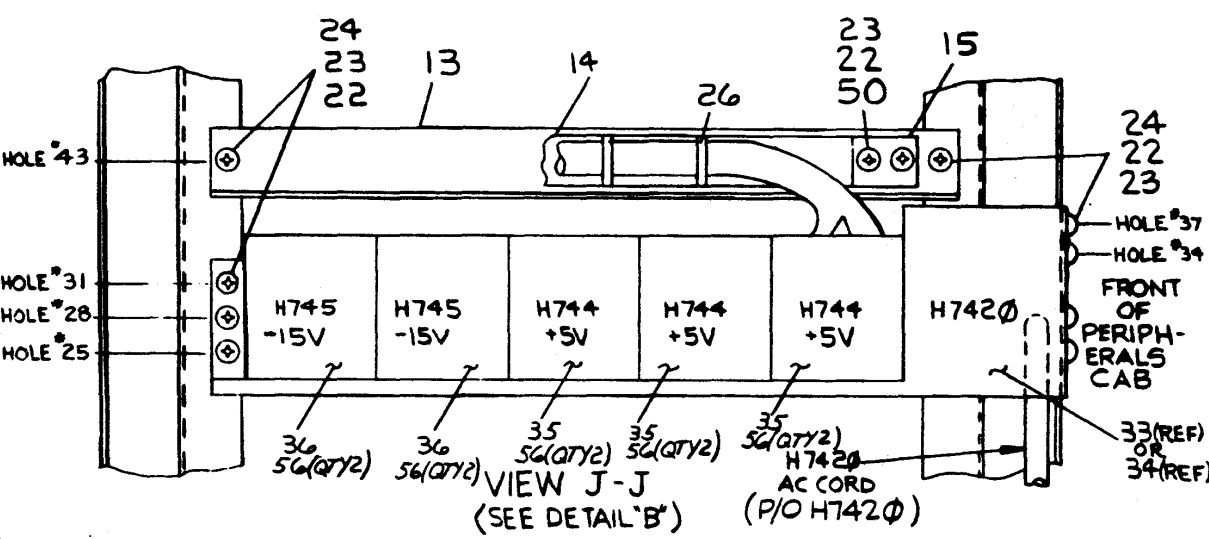
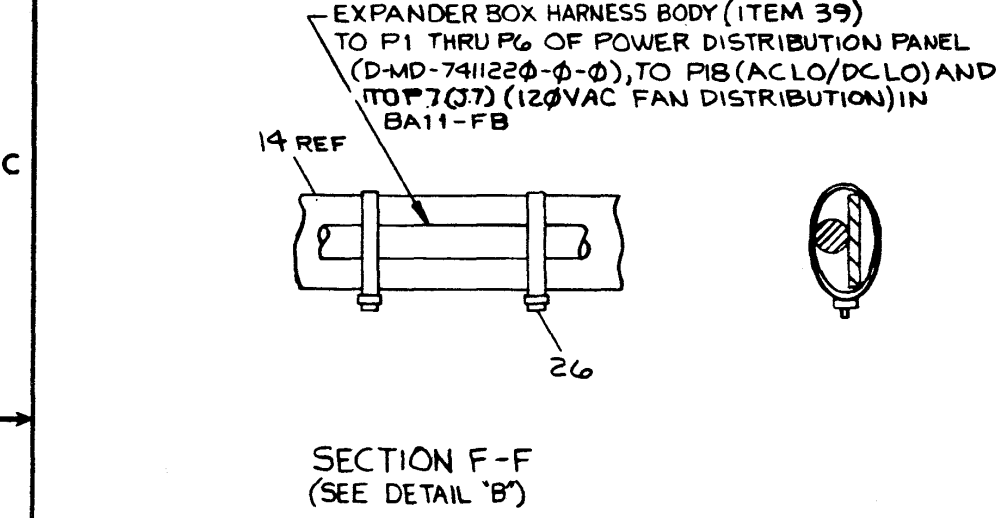
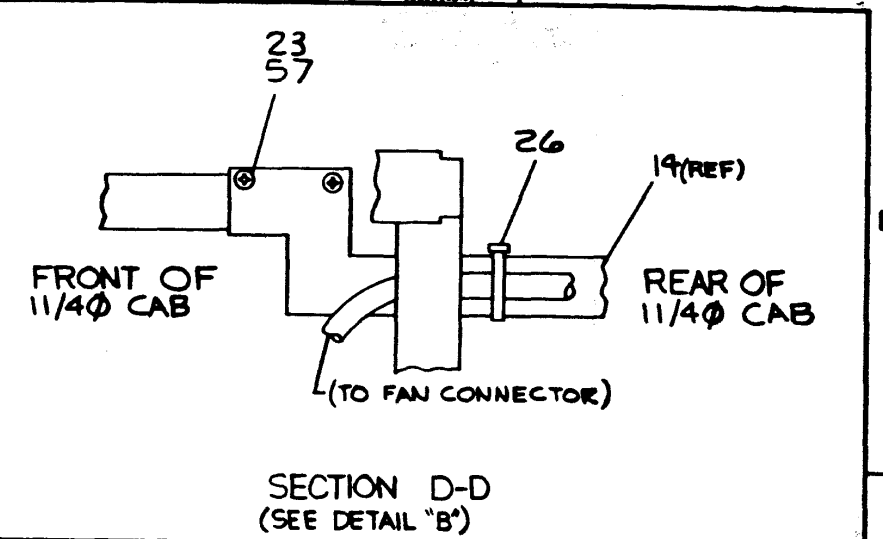
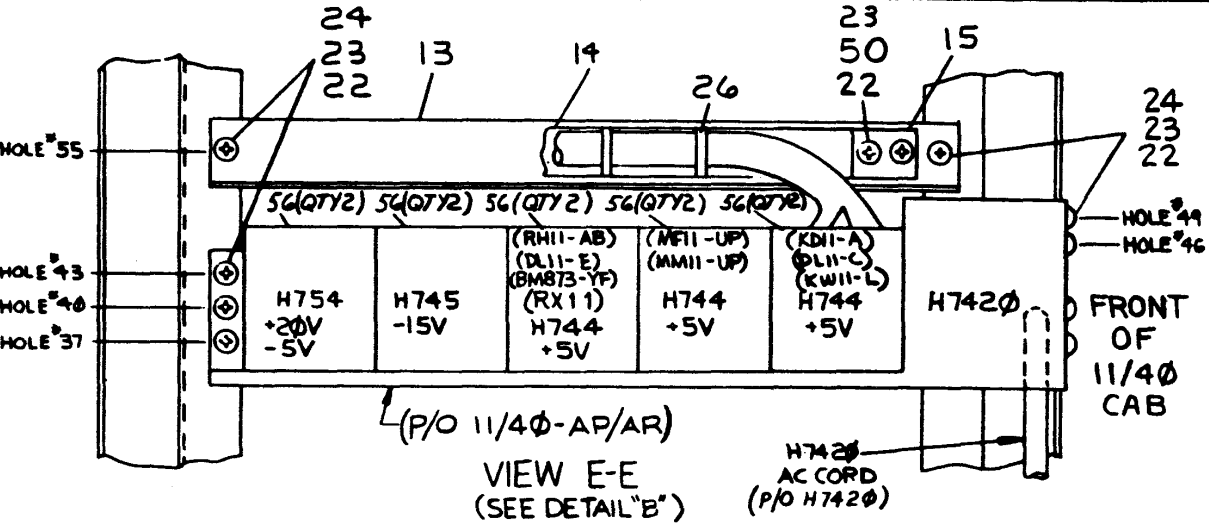
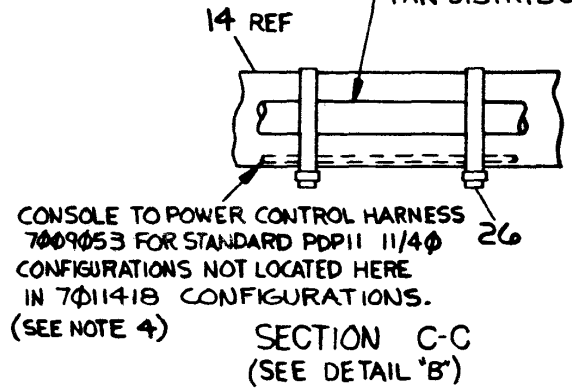
NOTES: CONTINUED FROM SHEET 1 OF 12
 17. IF RX02 IS USED, SWITCHES ON THE M7744 MODULE MUST BE SET AT S1 = ON AND S2 = OFF.



REV	CHANGE NO	REV

THIS DRAWING AND SPECIFICATIONS HEREIN ARE THE PROPERTY OF DIGITAL EQUIPMENT CORPORATION AND SHALL NOT BE REPRODUCED OR COPIED OR USED IN WHOLE OR IN PART WITHOUT WRITTEN PERMISSION OF DIGITAL EQUIPMENT CORPORATION.

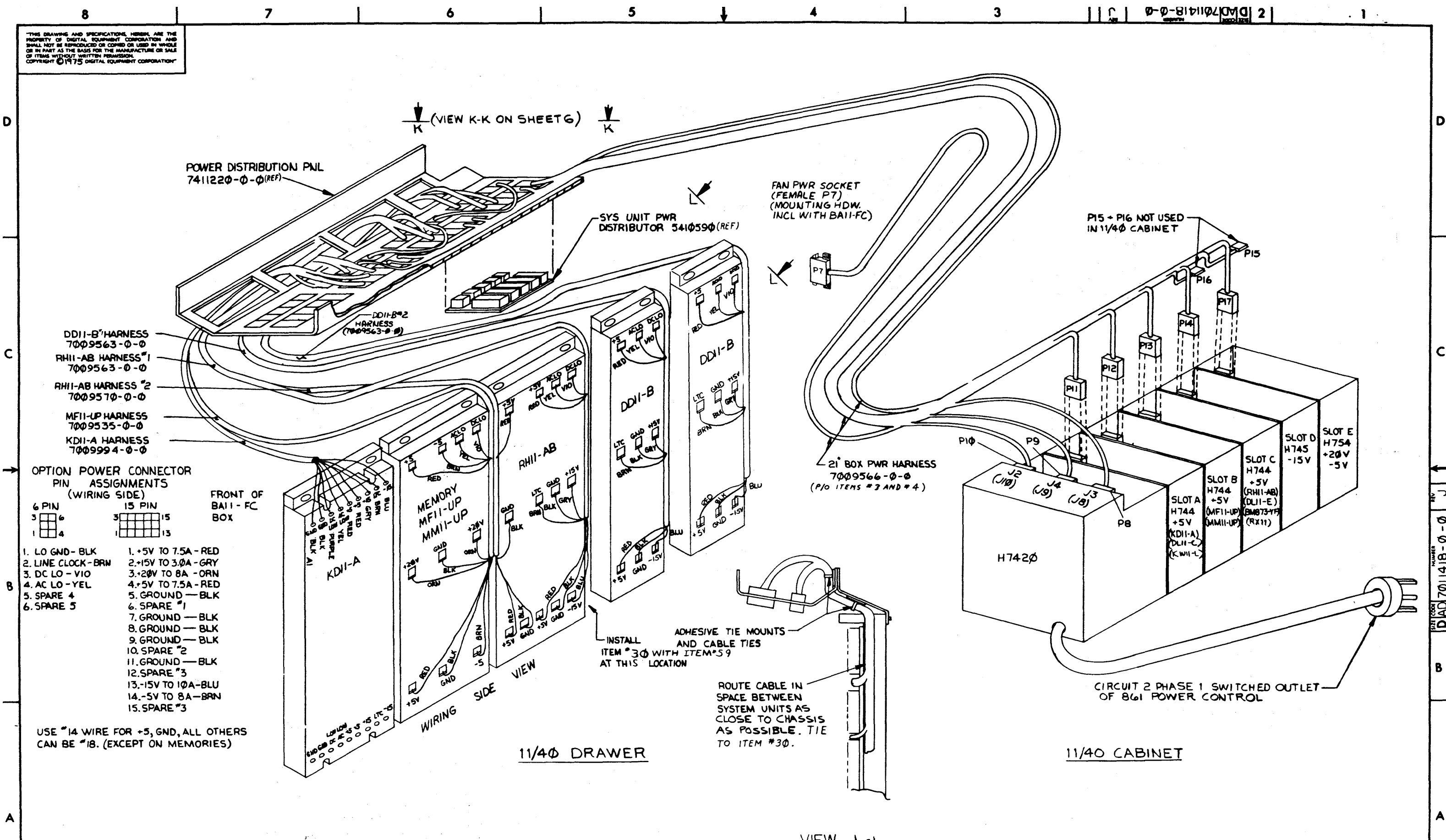
MAIN HARNESS BODY (PART OF ITEMS 33 & 34) TO P1 THRU P6 OF POWER DISTRIBUTION PANEL (D-MD-7411220-0-0), TO P18 (ACLO/DCLO) AND TO P7 (J7) (120VAC FAN DISTRIBUTION) IN BA11-FB



REVISIONS		
CHK	CHANGE NO.	REV.

TITLE	SIZE CODE	NUMBER	REV.
2040 CONSOLE PROCESSOR	D AD	7011418-0-0	J
SCALE	SHEET	OF	DIST.
	3	12	

THIS DRAWING AND SPECIFICATIONS HEREIN ARE THE PROPERTY OF DIGITAL EQUIPMENT CORPORATION AND SHALL NOT BE REPRODUCED OR COPIED OR USED IN WHOLE OR IN PART AS THE BASIS FOR THE MANUFACTURE OR SALE OF ITEMS WITHOUT WRITTEN PERMISSION. COPYRIGHT © 1975 DIGITAL EQUIPMENT CORPORATION



POWER DISTRIBUTION PNL
7411220-0-0(REF)

SYS UNIT PWR
DISTRIBUTOR 5410590(REF)

FAN PWR SOCKET
(FEMALE P7)
(MOUNTING HDW.
INCL WITH BAI1-FC)

P15 + P16 NOT USED
IN 1 1/4" CABINET

- DDII-B HARNESS
7009563-0-0
- RHII-AB HARNESS #1
7009563-0-0
- RHII-AB HARNESS #2
7009570-0-0
- MFII-UP HARNESS
7009535-0-0
- KDII-A HARNESS
7009994-0-0

OPTION POWER CONNECTOR
PIN ASSIGNMENTS
(WIRING SIDE)

- | 6 PIN | 15 PIN | | | | | | | | |
|---|--------|---|---|---|---|---|----|---|----|
| <table border="1"> <tr><td>3</td><td>6</td></tr> <tr><td>1</td><td>4</td></tr> </table> | 3 | 6 | 1 | 4 | <table border="1"> <tr><td>3</td><td>15</td></tr> <tr><td>1</td><td>13</td></tr> </table> | 3 | 15 | 1 | 13 |
| 3 | 6 | | | | | | | | |
| 1 | 4 | | | | | | | | |
| 3 | 15 | | | | | | | | |
| 1 | 13 | | | | | | | | |
1. LO GND - BLK
 2. LINE CLOCK - BRN
 3. DC LO - VIO
 4. AC LO - YEL
 5. SPARE 4
 6. SPARE 5
 7. GROUND - BLK
 8. GROUND - BLK
 9. GROUND - BLK
 10. SPARE #2
 11. GROUND - BLK
 12. SPARE #3
 13. -15V TO 10A - BLU
 14. -5V TO 8A - BRN
 15. SPARE #3

USE #14 WIRE FOR +5, GND, ALL OTHERS
CAN BE #18. (EXCEPT ON MEMORIES)

INSTALL
ITEM #30 WITH ITEM #59
AT THIS LOCATION

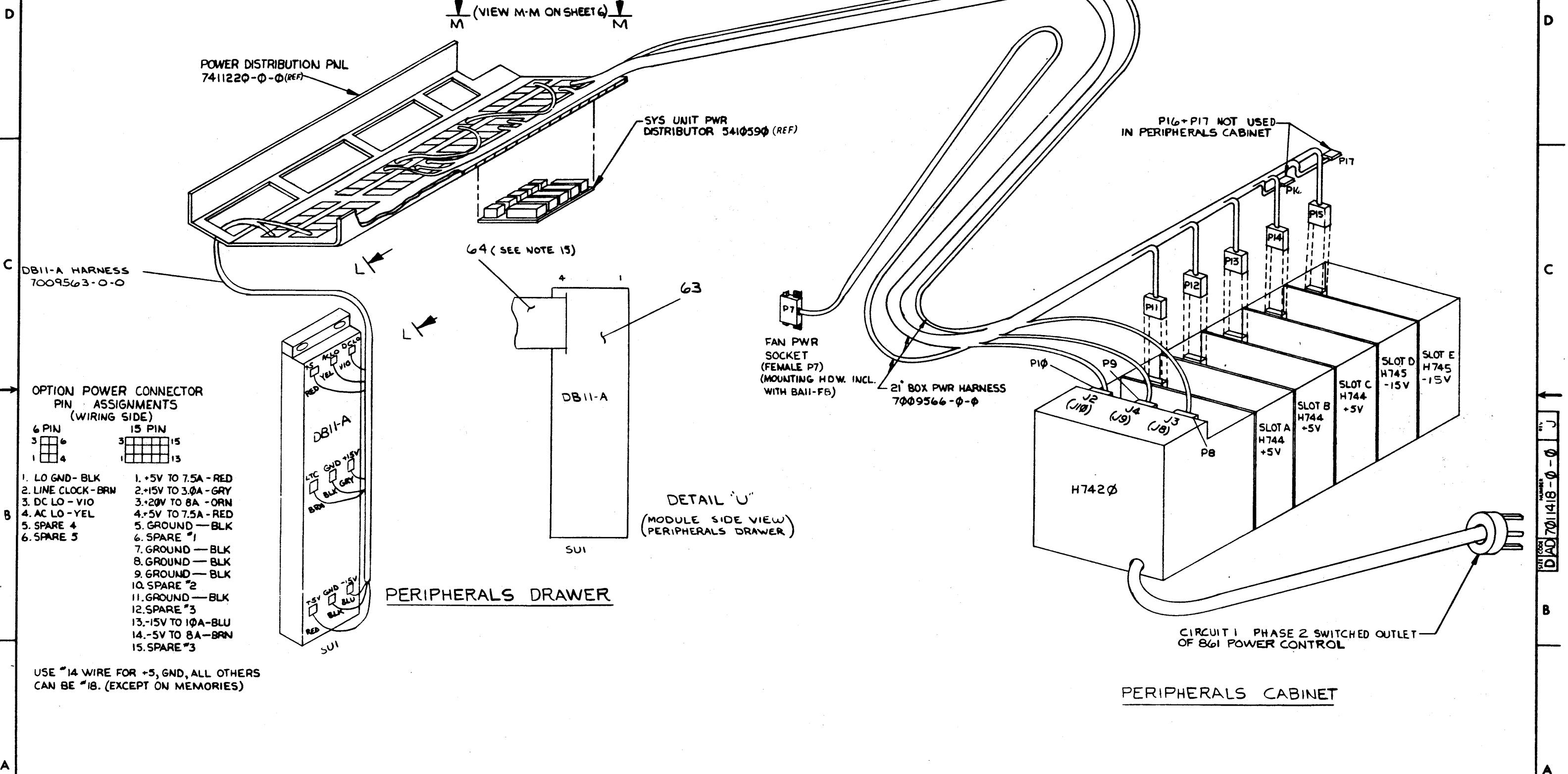
ROUTE CABLE IN
SPACE BETWEEN
SYSTEM UNITS AS
CLOSE TO CHASSIS
AS POSSIBLE. TIE
TO ITEM #30.

CIRCUIT 2 PHASE 1 SWITCHED OUTLET
OF B61 POWER CONTROL

REVISIONS		
CHK	CHANGE NO	REV

TITLE	2047 CONSOLE PROCESSOR	SIZE CODE	D AD 7011418-0-0	NUMBER	J	REV.	
SCALE	1:1	SHEET	4 OF 12	DIST.			

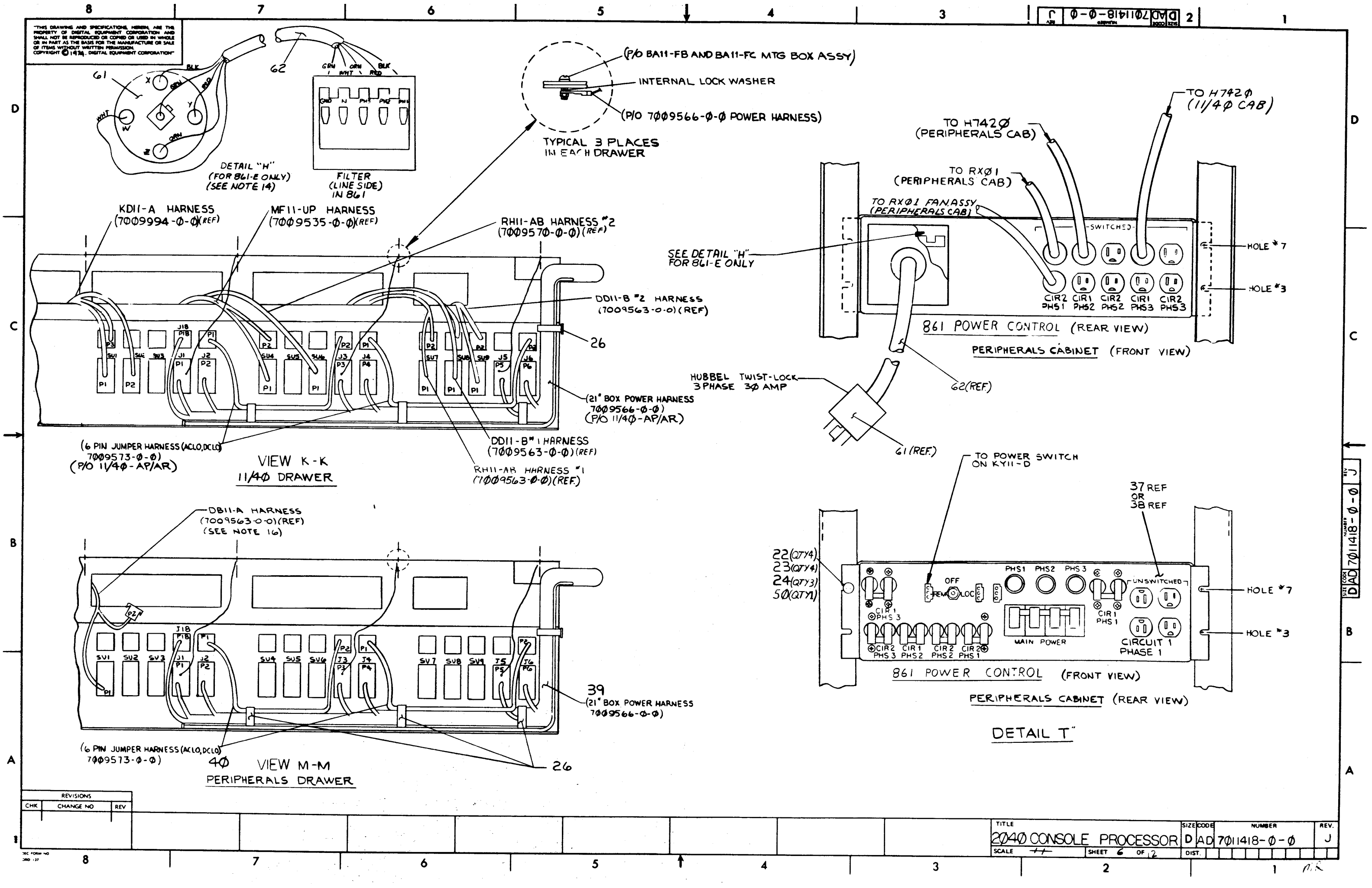
THIS DRAWING AND SPECIFICATIONS HEREIN ARE THE PROPERTY OF DIGITAL EQUIPMENT CORPORATION AND SHALL NOT BE REPRODUCED OR COPIED OR USED IN WHOLE OR IN PART AS THE BASIS FOR THE MANUFACTURE OR SALE OF ITEMS WITHOUT WRITTEN PERMISSION. COPYRIGHT © 1975 DIGITAL EQUIPMENT CORPORATION



REVISIONS		
CHK	CHANGE NO	REV

THIS DRAWING AND SPECIFICATIONS HEREIN ARE THE PROPERTY OF DIGITAL EQUIPMENT CORPORATION AND SHALL NOT BE REPRODUCED OR COPIED OR USED IN WHOLE OR IN PART AS THE BASIS FOR THE MANUFACTURE OR SALE OF ITEMS WITHOUT WRITTEN PERMISSION. COPYRIGHT © 1974, DIGITAL EQUIPMENT CORPORATION

DAD 7011418-0-0 2



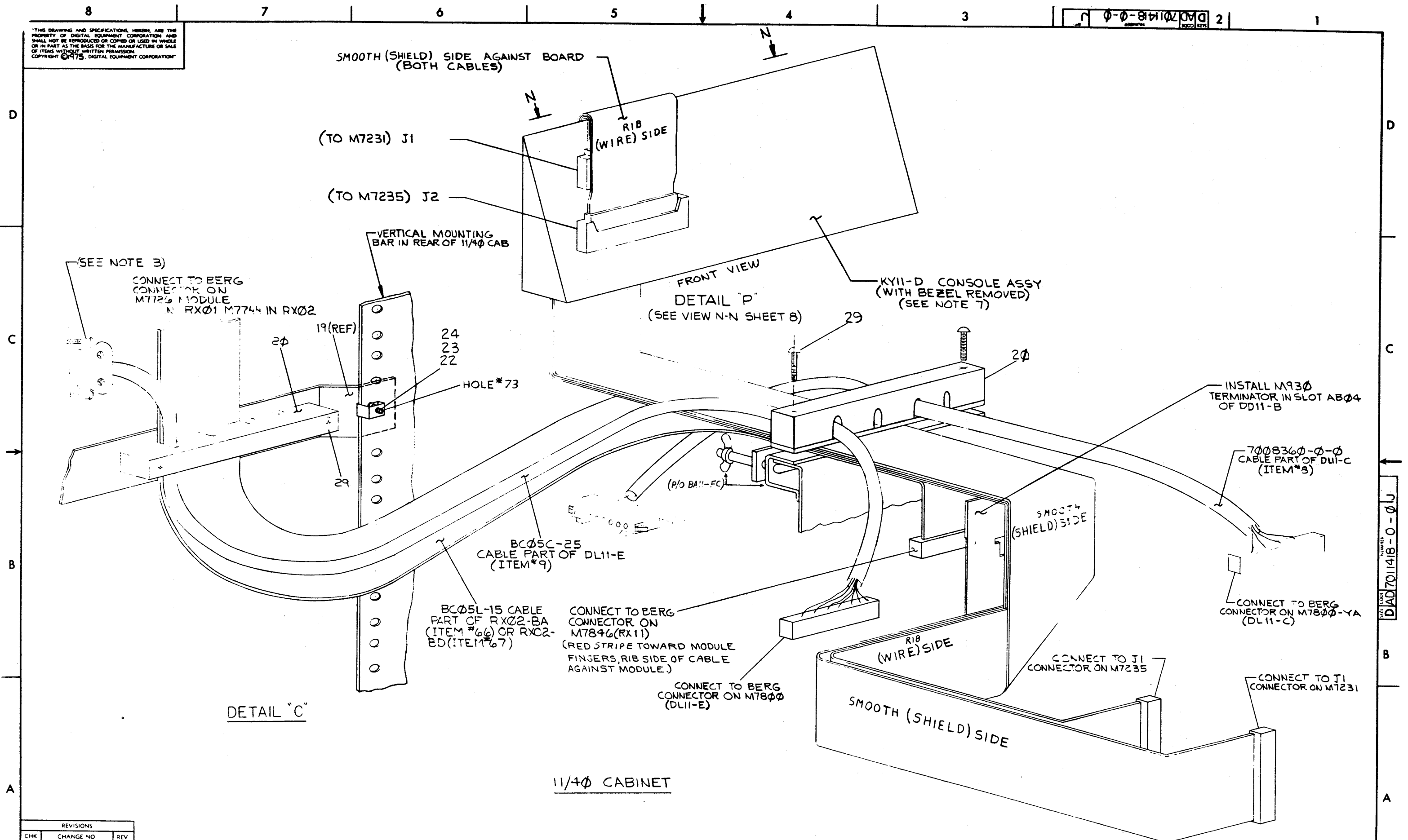
REVISIONS		
CHK	CHANGE NO	REV

TITLE	SIZE CODE	NUMBER	REV.
2040 CONSOLE PROCESSOR	DAD 7011418-0-0		J
SCALE	SHEET	OF	DIST.
	6	12	

REV J
DAD 7011418-0-0

THIS DRAWING AND SPECIFICATIONS HEREIN ARE THE PROPERTY OF DIGITAL EQUIPMENT CORPORATION AND SHALL NOT BE REPRODUCED OR COPIED OR USED IN WHOLE OR IN PART AS THE BASIS FOR THE MANUFACTURE OR SALE OF ITEMS WITHOUT WRITTEN PERMISSION. COPYRIGHT © 1975, DIGITAL EQUIPMENT CORPORATION.

REV. 2



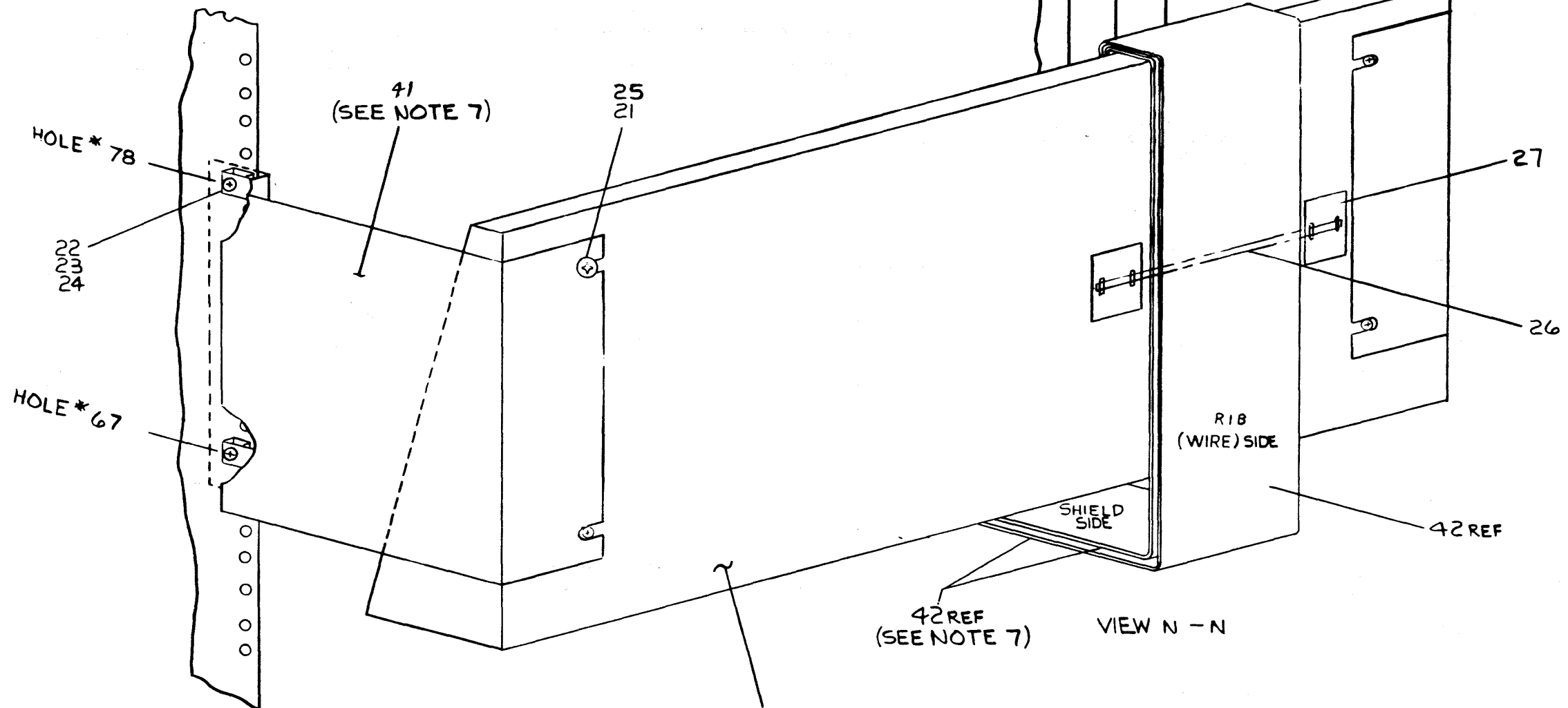
REVISIONS		
CHK	CHANGE NO	REV

TITLE	SIZE CODE	NUMBER	REV.
204C CONSOLE PROCESSOR	DAD	7Ø11418-Ø-Ø	J
SCALE	SHEET	OF	DIST
	7	2	

DRAWING NUMBER DAD7011418-0-Ø J

THIS DRAWING AND SPECIFICATIONS HEREBY ARE THE PROPERTY OF DIGITAL EQUIPMENT CORPORATION AND SHALL NOT BE REPRODUCED OR COPIED OR USED IN WHOLE OR IN PART AS THE BASIS FOR THE MANUFACTURE OR SALE OF ITEMS WITHOUT WRITTEN PERMISSION. COPYRIGHT © 1975, DIGITAL EQUIPMENT CORPORATION

SIDE OF VERTICAL MOUNTING BAR IN 1 1/4" CABINET



KY11-D CONSOLE ASSY
(WITH BEZEL AND MOUNTING BRACKET INDICATED)

REAR VIEW

1 1/4" CABINET

D
C
J
B
A

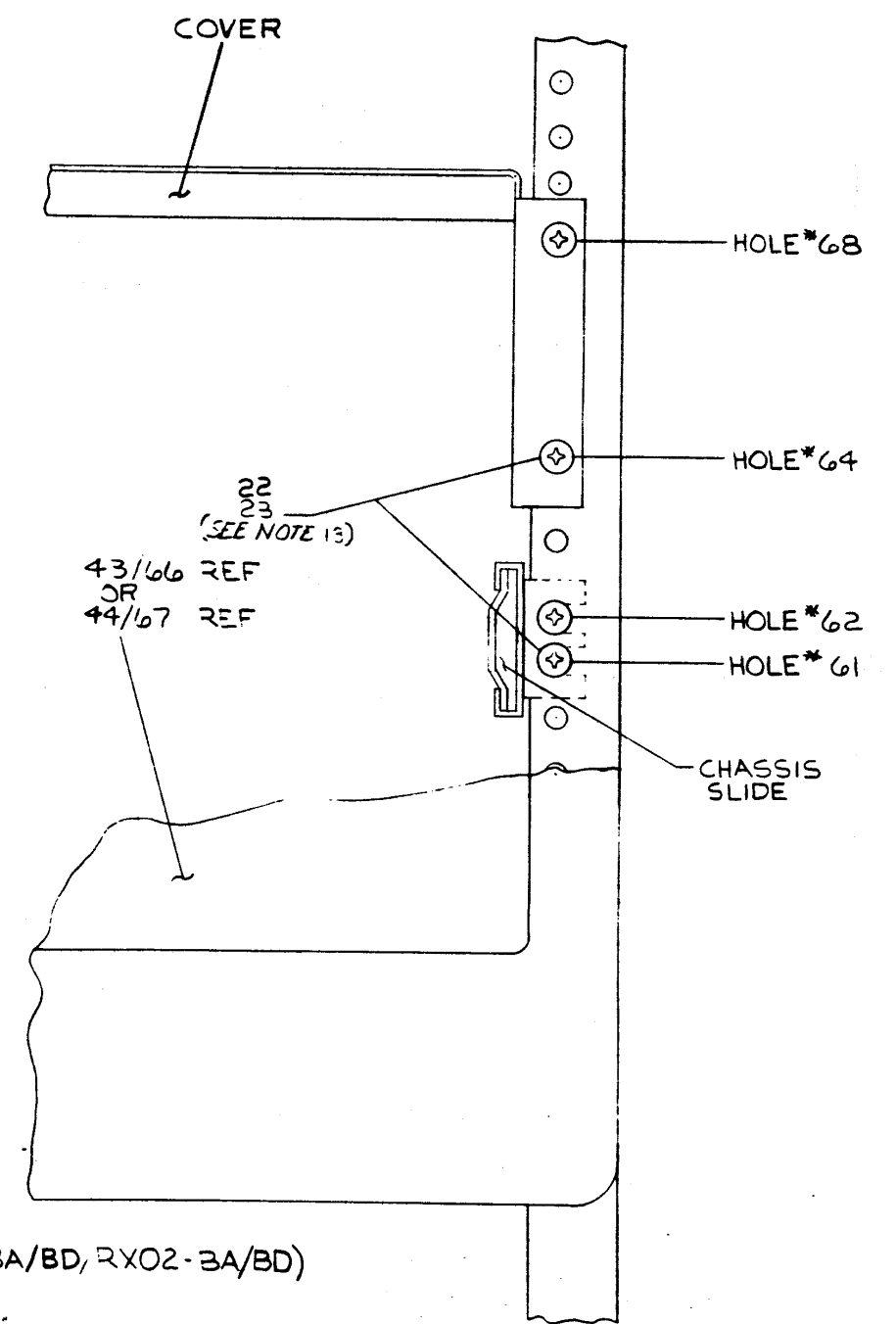
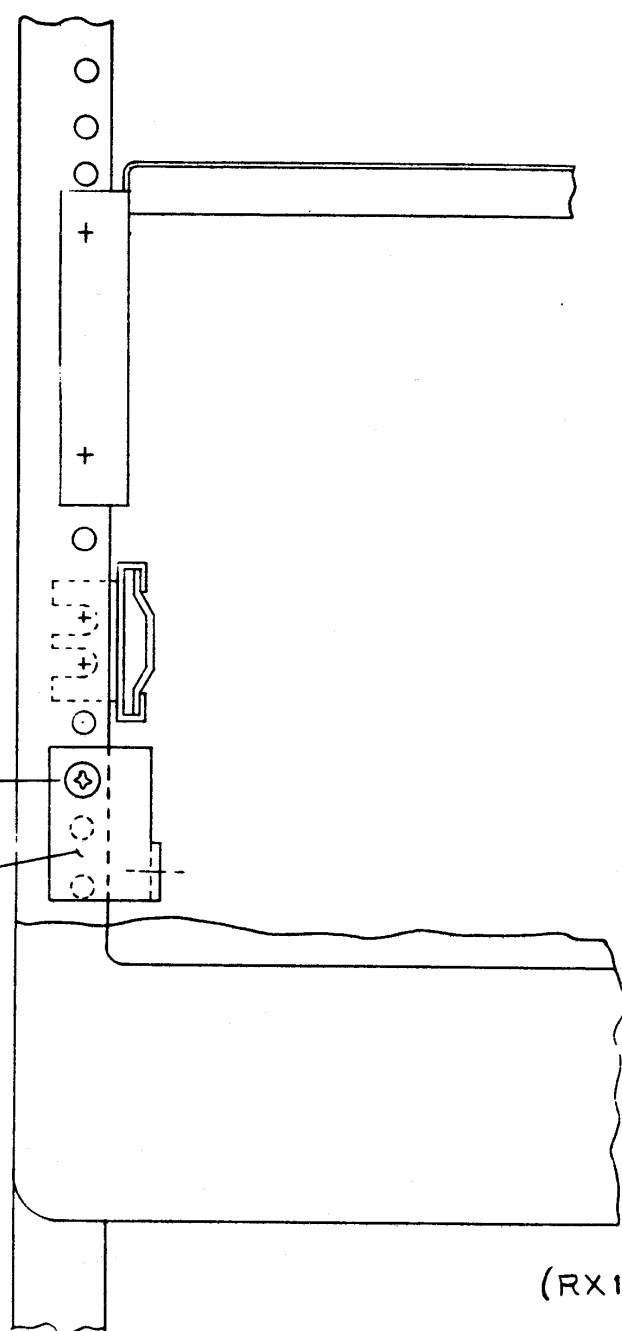
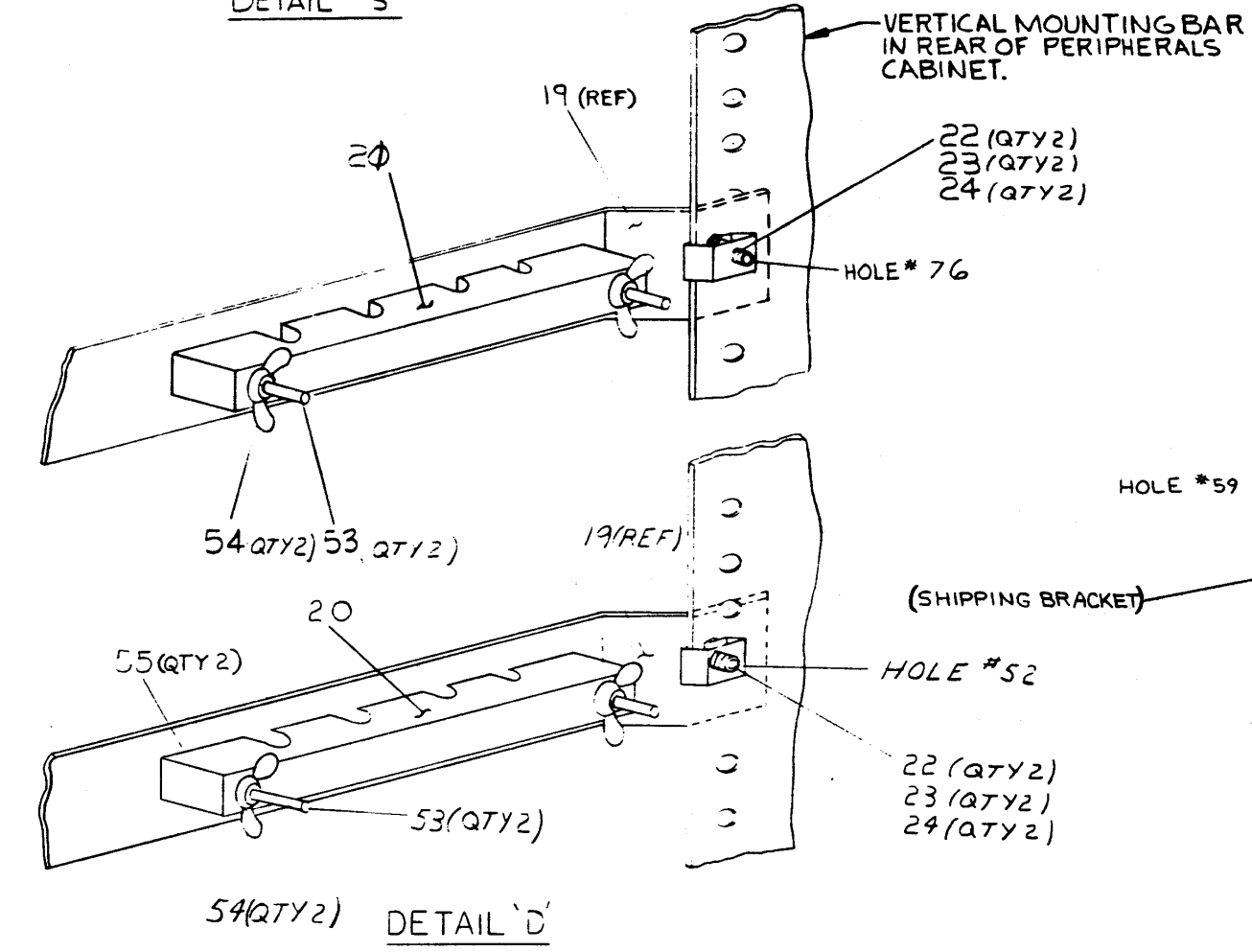
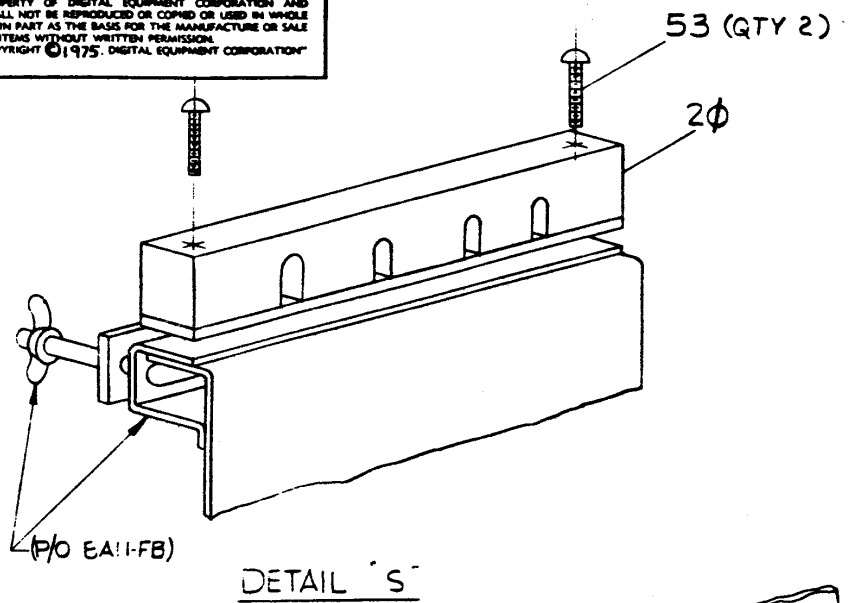
REVISIONS		
CHK	CHANGE NO	REV

TITLE	SIZE CODE	NUMBER	REV.
2040 CONSOLE PROCESSOR	D AD	7011418-0-0	J
SCALE	SHEET	DIST.	
	8 OF 2		

THIS DRAWING AND SPECIFICATIONS HEREIN ARE THE PROPERTY OF DIGITAL EQUIPMENT CORPORATION AND SHALL NOT BE REPRODUCED OR COPIED OR USED IN WHOLE OR IN PART AS THE BASIS FOR THE MANUFACTURE OR SALE OF ITEMS WITHOUT WRITTEN PERMISSION. COPYRIGHT © 1975, DIGITAL EQUIPMENT CORPORATION.

D
C
B
A

D
C
B
A



(RX11-BA/BD, RX02-3A/BD)

DETAIL 'R'

PERIPHERALS CABINET

REVISIONS		
CHK	CHANGE NO	REV

TITLE	SIZE CODE	NUMBER	REV.
2040 CONSOLE PROCESSOR	D AD	7011418-0-0	J
SCALE	SHEET	OF	
1/1	9	12	

THIS DRAWING AND SPECIFICATIONS HEREIN ARE THE PROPERTY OF DIGITAL EQUIPMENT CORPORATION AND SHALL NOT BE REPRODUCED OR COPIED OR USED IN WHOLE OR IN PART AS THE BASIS FOR THE MANUFACTURE OR SALE OF ITEMS WITHOUT WRITTEN PERMISSION. COPYRIGHT © 1975 DIGITAL EQUIPMENT CORPORATION.

KD11-A 11/48 PROCESSOR (WIRE LIST REV K)

5418984 ETCHED BACKPLANE (ETCH REV N/A CS REV C)

W7231 DATA PATHS LOCATION ABCDEF#4

LOWEST ACCEPTABLE REVISION ETCH REV N/A CS REV D
JUMPER TABLE

JUMPER	STATE	COMMENTS
W1	IN	WITH NO KT11-D OPTION
W2	IN (TO GND)	WITH NO KT11-D OR KJ11-A OPTIONS
W3	IN	WITH NO KT11-D OPTION
W4	IN	WITH NO KT11-D OPTION
W5	IN	WITH NO KT11-D OPTION
W6	IN	WITH NO KT11-D OPTION
W7	IN	WITH NO KT11-D OPTION
W8	IN	WITH NO KT11-D OPTION
W9	IN	WITH NO KT11-D OPTION
W10	IN (TO BUS)	WITH NO KT11-D OPTION

BC08R-#3 CABLE FROM CONNECTOR J1 TO CONNECTOR J1 OF KY11-D CONSOLE (SHIELD AWAY FROM BOARD). BOARD IS NORMALLY RECEIVED IN CORRECT CONFIGURATION.

W7232 MICRO WORD LOCATION ABCDEF#3

LOWEST ACCEPTABLE REVISION ETCH REV N/A CS REV F

NO JUMPERS
NO CABLES ARE PLUGGED INTO CONNECTORS J1, J2 AND J3 WITH NO KE11-E AND KE11-F OPTIONS.

W7233 IR DECODE LOCATION ABCDEF#5

LOWEST ACCEPTABLE REVISION ETCH REV N/A CS REV E
JUMPER TABLE

JUMPER	STATE	COMMENTS
W1	IN	WITH NO KE11-A OPTION
W2	IN	DISABLE ESALUM INPUT

BOARD IS NORMALLY RECEIVED IN CORRECT CONFIGURATION.

W7234 TIMING LOCATION ABCDEF#7

LOWEST ACCEPTABLE REVISION ETCH REV N/A CS REV F
JUMPER TABLE

JUMPER	STATE	COMMENTS
W1	IN (TO BOVFL)	WITH NO KJ11-A OPTION
W2	IN (TO GND)	WITH NO KT11-D OPTION
W3	IN	REMOVE ONLY FOR XOR TESTING
W4	IN	REMOVE ONLY FOR XOR TESTING
W5	OUT	ENABLES PARITY MEMORY

CLOCK ADJUSTMENTS MADE WITH APPROPRIATE SWITCH (S1) SETTING (NOT NORMALLY CHANGED). BOARD IS NORMALLY RECEIVED IN CORRECT CONFIGURATION.

W7235 STATUS LOCATION ABCDEF#6

LOWEST ACCEPTABLE REVISION ETCH REV N/A CS REV H
JUMPER TABLE

JUMPER	STATE	COMMENTS
W1	IN (TO BOVFL)	WITH NO KJ11-A OPTION
W2	IN (TO "0")	COVERS ETCHED "W2"
W3	IN (TO "0")	COVERS ETCHED "W3"
W4	IN (TO "0")	COVERS ETCHED "W4"
W5	IN (TO "1")	COVERS ETCHED "W5"
W6	IN (TO "0")	COVERS ETCHED "W6"
W7	IN (TO "1")	COVERS ETCHED "W7"
W8	OUT	ENABLES PARITY MEMORY

W2-W7 JUMPERS FORM POWER FAIL RESTART VECTOR ADDRESS 24. BC08R-#3 CABLE FROM CONNECTOR J1 TO CONNECTOR J2 OF KY11-D CONSOLE (SHIELD AWAY FROM BOARD) BOARD IS NORMALLY RECEIVED IN CORRECT CONFIGURATION.

W991 UNIBUS JUMPER TERMINATOR LOCATION AB#9

LOWEST ACCEPTABLE REVISION ETCH REV N/A CS REV A
CONNECTS LOCATION AB#9 IN KD11-A TO LOCATION AB#1 IN WF11-UP.
NO JUMPERS OR OTHER CONFIGURABLE COMPONENTS.

KY11-DK KL1# PROGRAMMERS CONSOLE

54097#1-#2 KL1# CONSOLE MODULE

LOWEST ACCEPTABLE REVISION ETCH REV N/A CS REV L

KW11-L CLOCK

W787 LINE TIME CLOCK LOCATION F#3 (KD11-A BACKPLANE)

LOWEST ACCEPTABLE REVISION ETCH REV N/A CS REV D
CLOCK STATUS REGISTER (LKS) 777546
INTERRUPT VECTOR ADDRESS 100
PRIORITY LEVEL BR6
JUMPER WIRE IN KD11-A BACKPLANE BETWEEN PIN F#3R2 AND PIN F#3V2 MUST BE REMOVED WHEN THE KW11-L IS INSTALLED IN ORDER TO ENABLE SIGNAL BG 6 H.
BOARD IS NORMALLY RECEIVED IN CORRECT CONFIGURATION

WF11-UP AND WM11-UP MEMORIES

5418345 ETCHED BACKPLANE

LOWEST ACCEPTABLE REVISION ETCH REV N/A CS REV C

W8293 18K UNIBUS TIMING LOCATIONS CDEF#1 AND CDEF#9

LOWEST ACCEPTABLE REVISION ETCH REV N/A CS REV E
JUMPER TABLE FOR LOCATION CDEF#9

JUMPER	STATE	COMMENTS
W1	IN	WITH NO INTERLEAVING
W2	OUT	WITH NO INTERLEAVING
W3	IN	UPPER 18K ADDRESS BIT A13
W4	IN	UPPER 18K ADDRESS BIT A14
W5	OUT	UPPER 18K ADDRESS BIT A15
W6	IN	UPPER 18K ADDRESS BIT A16
W7	IN	UPPER 18K ADDRESS BIT A17
W8	OUT	WITH NO INTERLEAVING
W9	OUT	WITH NO INTERLEAVING
W10	OUT	WITH NO INTERLEAVING

JUMPER TABLE FOR LOCATION CDEF#1

JUMPER	STATE	COMMENTS
W1	IN	WITH NO INTERLEAVING
W2	OUT	WITH NO INTERLEAVING
W3	IN	LOWER 18K ADDRESS BIT A13
W4	IN	LOWER 18K ADDRESS BIT A14
W5	IN	LOWER 18K ADDRESS BIT A15
W6	IN	LOWER 18K ADDRESS BIT A16
W7	IN	LOWER 18K ADDRESS BIT A17
W8	OUT	WITH NO INTERLEAVING
W9	OUT	WITH NO INTERLEAVING
W10	OUT	WITH NO INTERLEAVING

THIS BOARD MAY NOT BE INDIVIDUALLY REPLACED AS IT IS PART OF A SET. WHEN FIELD REPLACEMENT IS NECESSARY THE ENTIRE SET MUST BE REPLACED (H217C, G114, G235, W8293).

G235 X-Y DRIVE LOCATIONS ABCDEF#5 AND ABCDEF#6

LOWEST ACCEPTABLE REVISION ETCH REV N/A CS REV K
JUMPER TABLE FOR BOTH LOCATIONS

JUMPER	STATE	COMMENTS
W1	*	SENSE STROBE TIMING
W2	*	SENSE STROBE TIMING
W3	*	SENSE STROBE TIMING
W4	*	SENSE STROBE TIMING
W5	*	MEMORY DRIVE BIAS CURRENT
W6	*	MEMORY DRIVE BIAS CURRENT
W7	*	MEMORY DRIVE BIAS CURRENT

*THE APPROPRIATE JUMPERS IN THIS GROUP ARE INSTALLED DURING MEMORY BUILD TIME TO OPTIMIZE STROBE TIME AND BIAS CURRENT FOR THE OTHER MODULES WITH WHICH IT IS USED (W8293, G114 AND H217). THIS GROUP OF MODULES COMPRISE A SET. INDIVIDUAL MODULES IN THIS SET MAY NOT BE INDISCRIMINATELY INTERCHANGED WITHOUT SPECIFIC ADJUSTMENTS WHICH CAN ONLY BE DONE AT THE FACTORY. WHEN FIELD REPLACEMENT IS NECESSARY, THE ENTIRE SET MUST BE REPLACED (H217C, G114, G235 AND W8293).

G114 18K SENSE/INHIBIT LOCATIONS ABCDEF#3 AND ABCDEF#8

LOWEST ACCEPTABLE REVISION ETCH REV N/A CS REV E

NO JUMPERS OR OTHER CONFIGURABLE COMPONENTS.
THIS BOARD MAY NOT BE INDIVIDUALLY REPLACED AS IT IS PART OF A SET. WHEN FIELD REPLACEMENT IS NECESSARY, THE ENTIRE SET MUST BE REPLACED (H217C, G114, G235 AND W8293).

H217C STACK BOARD LOCATIONS ABCDEF#4 AND ABCDEF#7

LOWEST ACCEPTABLE REVISION ETCH REV N/A CS REV N/A
JUMPERS W1 AND W2 ARE CURRENT LOOPS USED FOR TEST PURPOSES ONLY. THIS BOARD MAY NOT BE INDIVIDUALLY REPLACED AS IT IS PART OF A SET. WHEN FIELD REPLACEMENT IS NECESSARY, THE ENTIRE SET MUST BE REPLACED (H217C, G114, G235 AND W8293).

W7259 PARITY CONTROL LOCATION AB#2

LOWEST ACCEPTABLE REVISION ETCH REV N/A CS REV F
JUMPER TABLE

JUMPER	STATE	COMMENTS
W1	IN	ADDRESS BIT A#1
W2	IN	ADDRESS BIT A#2
W3	IN	ADDRESS BIT A#3
W4	IN	ADDRESS BIT A#4
W5	OUT	USED FOR EXTERNAL CAP IF REQUIRED
W6	IN	IN FOR /-UP VERSIONS
W7	IN	DON'T HANG BUS ON PARITY ERROR

W1-W4 CORRESPOND TO A CSR ADDRESS OF 772100. ONLY ONE BOARD REQUIRED PER 32K OF CORE. R16 IS USED TO ADJUST TIME BETWEEN LOW GOING EDGE OF SIGNAL MEASURED ON PIN B#2U1 AND HIGH GOING EDGE OF SIGNAL MEASURED ON PIN A#2S2 TO 135NS. BOARD IS NORMALLY RECEIVED IN CORRECT CONFIGURATION.

W930 UNIBUS TERMINATOR LOCATION AB#9

LOWEST ACCEPTABLE REVISION ETCH REV N/A CS REV D
THIS TERMINATOR WILL BE MOVED TO LOCATION AB#4 OF THE CDH-B LOGIC ASSEMBLY WHEN COMPLETE SYSTEM IS CONFIGURED. NO JUMPERS OR OTHER CONFIGURABLE COMPONENTS.

WM11-AB MASSBUS CONTROLLER

5418506 ETCHED BACKPLANE

LOWEST ACCEPTABLE REVISION ETCH REV N/A CS REV C

W7294 DATA BUFFER CONTROL LOCATION ABCDEF#3

LOWEST ACCEPTABLE REVISION ETCH REV N/A CS REV F
JUMPER TABLE

JUMPER	STATE	COMMENTS
W1	IN	SENSE UNIBUS A PARITY ERROR
W2	IN	SENSE UNIBUS B PARITY ERROR
E86, PINS 1-16	IN	START COUNT 64 WORDS
E86, PINS 5-12	OUT	START COUNT 32 WORDS
E86, PINS 7-10	OUT	START COUNT 16 WORDS
E86, PINS 2-15	IN	DISABLE HOG MODE
E86, PINS 3-14	OUT	ENABLE BACK TO BACK MEM. CYCLES

BOARD IS NORMALLY RECEIVED IN CORRECT CONFIGURATION.

W7295 BUS CONTROL LOCATION ABCDEF#2

LOWEST ACCEPTABLE REVISION ETCH REV N/A CS REV D
JUMPER TABLE

JUMPER	STATE	COMMENTS
W1	OUT	ADDRESS BIT 12
W2	OUT	ADDRESS BIT 11
W3	OUT	ADDRESS BIT 10
W4	IN	ADDRESS BIT 09
W5	OUT	ADDRESS BIT 08
W6	OUT	ADDRESS BIT 07
W7	OUT	ADDRESS BIT 06
W8	IN	ADDRESS BIT 05
E3, PINS 1-16	OUT	16-32 REGISTERS
E3, PINS 2-15	OUT	16-32 REGISTERS
E3, PINS 3-14	IN	1-16 REGISTERS
E3, PINS 4-13	IN	1-16 REGISTERS
E3, PINS 5-12	IN	SIXTEEN REGISTERS
E3, PINS 6-11	OUT	EIGHT REGISTERS
E3, PINS 7-10	IN	FOUR REGISTERS
E3, PINS 8-9	OUT	TWO REGISTERS
W11	IN	VECTOR BIT V2
W12	IN	VECTOR BIT V3
W13	OUT	VECTOR BIT V4
W14	IN	VECTOR BIT V5
W15	OUT	JR BIT V6
W16	IN	JR BIT V7
W17	OUT	OR BIT V8
W18	IN	LATENCY
W19	IN	MAINTENANCE (MXF ERRORS)

W1-W8 CORRESPOND TO A BASS BUS ADDRESS OF 776700. W11-W17 CORRESPOND TO A VECTOR ADDRESS OF 254. JUMPERS ON E3 ARE SET FOR 20 REGISTERS. DIP SITE E57 CONTAINS PRIORITY PLUG 5408770-0-0 (BR5). BOARD IS NORMALLY RECEIVED IN CORRECT CONFIGURATION.

W7296 CONTROL AND STATUS REGISTERS LOCATION EF#1

LOWEST ACCEPTABLE REVISION ETCH REV N/A CS REV B
INSTALL JUMPER W1 TO ALLOW ONLY UNIBUS A TO BE SELECTED

W7297 PARITY CONTROL LOCATION CD#1

LOWEST ACCEPTABLE REVISION ETCH REV N/A CS REV A
NO JUMPERS OR OTHER CONFIGURABLE COMPONENTS
THERE ARE TWO VISUAL INDICATORS (LEDS) FOR MASSBUS PARITY ERROR DISPLAY ON THIS BOARD (LIT IF PARITY ERROR DETECTED).

W9300 UNIBUS B TERMINATOR LOCATION AB#9

LOWEST ACCEPTABLE REVISION ETCH REV N/A CS REV #
JUMPER TABLE

JUMPER	STATE	COMMENTS
W1	OUT	BEGINNING OF BUS
W2	IN	NOT END OF BUS
W3	IN	NOT END OF BUS

THERE IS A VISUAL INDICATOR (LED) FOR AN ILLEGAL JUMPER CONFIGURATION CHECK (LIT IF ILLEGAL).

W5984 CONTROLLER TRANSCEIVER LOCATIONS CD#4, CD#5 AND CD#6

LOWEST ACCEPTABLE REVISION ETCH REV N/A CS REV D
NO JUMPERS OR OTHER CONFIGURABLE COMPONENTS.

W688 UNIBUS POWER FAIL DRIVERS LOCATIONS E#4 AND E#5

NOTE: THE W688'S IN THESE TWO LOCATIONS ARE NOT REQUIRED BY THE PARTICULAR SYSTEMS CONFIGURATION IN WHICH THIS RH11 WILL BE USED AND HENCE MUST BE REMOVED FROM THE SYSTEM.

GENERAL NOTE: THE THREE SPC SLOTS IN LOCATIONS CDEF#7, CDEF#8 AND CDEF#9 WILL NOT EXIST IN BACKPLANES WIRED TO WIRELIST REV K-WL-RH11-0-12 OR HIGHER. THE THREE 6727 GRANT CONTINUITY MODULES WILL NOT BE NEEDED IN THESE BACKPLANES.

REV	CHG	NO	REV

SCALE	SHEET	OF	TOTAL	DIST.

TITLE	SIZE	CODE	NUMBER	REV.
2240 CONSOLE PROCESSOR	D	AD	7011418-0-0	J
SCALE	SHEET	OF	TOTAL	DIST.

D

C

B

A

DAD 7011418-0-0 J

DL11-C CONSOLE TERMINAL CONTROLLER
M7800-YA ASYNC. LINE INTERFACE LOCATION CDEF09 (KD11-A BACKPLANE)
LOWEST ACCEPTABLE REVISION ETCH REV N/A CS REV H
JUMPER TABLE

DL11-E REMOVE LINK CONTROLLER
M7600 ASYNC LINE INTERFACE LOCATION CDEF01 (DD11-B) BACKPLANE
LOWEST ACCEPTABLE REVISION ETCH REV N/A CS REV P
JUMPER TABLE

BM873-YF BOOTSTRAP ROM LOADER (OBSOLETE-FOR REF ONLY)
M873-YF RESTART LOADER LOCATION CDEF02 (DD11-B BACKPLANE)
LOWEST ACCEPTABLE REVISION ETCH REV N/A CS REV F
DIODE INSTALLATION TABLE

JUMPER	STATE	COMMENTS
J1	EITHER	EIA REQUEST TO SEND
J2	OUT	EIA FORCE BUSY
J3	EITHER	REQUEST TO SEND CONTROL
J4	EITHER	EIA DATA LEADS ONLY
J5	IN	BREAK
J6	OUT	DATA SET INTERRUPTS
J7	OUT	DATA SET STATUS BITS
J8	IN	ERROR BITS
J9	OUT	STOP BITS
J10	IN	STOP BITS
J11	OUT	STOP BITS
25B	IN	STOP BITS
NP	OUT	PARITY BITS
EPS	EITHER	PARITY BITS
NB1	OUT	DATA BITS
NB2	OUT	DATA BITS
N1	IN	NPR LATENCY
A3	IN	ADDRESS BITS 03
A4	OUT	ADDRESS BITS 04
A5	OUT	ADDRESS BIT 05
A6	OUT	ADDRESS BIT 06
A7	IN	ADDRESS BIT 07
A8	OUT	ADDRESS BIT 08
A9	OUT	ADDRESS BIT 09
A10	OUT	ADDRESS BIT 10
V3	OUT	VECTOR BIT 03
V4	IN	VECTOR BIT 04
V5	IN	VECTOR BIT 05
V6	OUT	VECTOR BIT 06
V7	OUT	VECTOR BIT 07
V8	OUT	VECTOR BIT 08

JUMPER	STATE	COMMENTS
J1	IN	EIA REQUEST TO SEND
J2	OUT	EIA FORCE BUSY
J3	IN	REQUEST TO SEND CONTROL
J4	OUT	EIA DATA LEADS ONLY
J5	IN	BREAK
J6	IN	DATA SET INTERRUPTS
J7	IN	DATA SET STATUS BITS
J8	IN	ERROR BITS
J9	OUT	STOP BITS
J10	IN	STOP BITS
J11	OUT	STOP BITS
25B	IN	STOP BITS
NP	OUT	PARITY BITS
EPS	EITHER	PARITY BITS
NB1	OUT	DATA BITS
NB2	OUT	DATA BITS
N1	IN	NPR LATENCY
A3	OUT	ADDRESS BIT 03
A4	IN	ADDRESS BIT 04
A5	IN	ADDRESS BIT 05
A6	IN	ADDRESS BIT 06
A7	OUT	ADDRESS BIT 07
A8	OUT	ADDRESS BIT 08
A9	OUT	ADDRESS BIT 09
A10	IN	ADDRESS BIT 10
V3	OUT	VECTOR BIT 03
V4	OUT	VECTOR BIT 04
V5	OUT	VECTOR BIT 05
V6	IN	VECTOR BIT 06
V7	IN	VECTOR BIT 07
V8	OUT	VECTOR BIT 08

DIODE	STATE	COMMENTS
D1	OUT	BIT 1, WORD 1
D2	OUT	BIT 1, WORD 2
D3	OUT	BIT 1, WORD 3
D4	OUT	BIT 1, WORD 4
D5	OUT	BIT 2, WORD 1
D6	OUT	BIT 2, WORD 2
D7	OUT	BIT 2, WORD 3
D8	IN	BIT 2, WORD 4
D9	OUT	BIT 3, WORD 1
D10	IN	BIT 3, WORD 2
D11	OUT	BIT 3, WORD 3
D12	IN	BIT 3, WORD 4
D13	OUT	BIT 4, WORD 1
D14	IN	BIT 4, WORD 2
D15	IN	BIT 4, WORD 3
D16	IN	BIT 4, WORD 4
D17	OUT	BIT 5, WORD 1
D18	OUT	BIT 5, WORD 2
D19	OUT	BIT 5, WORD 3
D20	IN	BIT 5, WORD 4
D21	OUT	BIT 6, WORD 1
D22	OUT	BIT 6, WORD 2
D23	OUT	BIT 6, WORD 3
D24	IN	BIT 6, WORD 4
D25	OUT	BIT 7, WORD 1
D26	OUT	BIT 7, WORD 2
D27	OUT	BIT 7, WORD 3
D28	OUT	BIT 7, WORD 4
D29	OUT	BIT 8, WORD 1
D30	OUT	BIT 8, WORD 2
D31	OUT	BIT 8, WORD 3
D32	IN	BIT 8, WORD 4

THE STOP BIT JUMPERING CORRESPONDS TO ONE STOP BIT.
THE PARITY BIT JUMPERING CORRESPONDS TO NO HARDWARE PARITY.
THE DATA BIT JUMPERING CORRESPONDS TO EIGHT DATA BITS.
A3-A10 CORRESPOND TO A BASE ADDRESS OF 777560.
V3-V8 CORRESPOND TO A VECTOR ADDRESS OF 60
OPERATING SPEED =300 BAUD IF CTY IS AN LA36(SWITCH POSITION #2 FOR BOTH TRANSMIT AND RECEIVE). OPERATING SPEED =1200 BAUD IF CTY IS AN LA120(SWITCH POSITION #4 FOR BOTH TRANSMIT AND RECEIVE). REMOVE C29 AND C31 CRYSTAL 1805501-7 (4.600MHZ-SPEED GROUP #4).
PRIORITY PLUG 5408776-0-0 (BR4)
RECEIVER STATUS REGISTER (RCSR) 777560
RECEIVED DATA BUFFER REGISTER (RBUF) 777562
TRANSMITTER STATUS REGISTER (XCRS) 777564
TRANSMITTED DATA BUFFER REGISTER (XBUF) 777566

THE STOP BIT JUMPERING CORRESPONDS TO ONE STOP BIT.
THE PARITY BIT JUMPERING CORRESPONDS TO NO HARDWARE PARITY.
THE DATA BIT JUMPERING CORRESPONDS TO EIGHT DATA BITS.
A3-A10 CORRESPOND TO A BASE ADDRESS OF 775610
V3-V8 CORRESPONDS TO A VECTOR ADDRESS OF 300
OPERATING SPEED 300 BAUD (SWITCH POSITION #2 FOR BOTH TRANSMIT AND RECEIVE).
CRYSTAL 1805501-7 (4.600MHZ - SPEED GROUP #4)
PRIORITY PLUG 5498776-0-0 (BR4)
RECEIVER STATUS REGISTER (BCSR) 775610
RECEIVED DATA BUFFER REGISTER (RBUF) 775012
TRANSMITTER STATUS REGISTER (XCSR) 775614
TRANSMITTED DATA BUFFER REGISTER (XBUF) 775616

JUMPER TABLE

JUMPER	STATE	COMMENTS
W1	IN	IN FOR 11/40 USE
W2	OUT	IN FOR 11/05, 11/20 AND 11/45 USE
W3	OUT	ENABLE UPPER ROMS

RESISTOR R3 MUST BE REMOVED
:INPUT #1 OFFSET ADDRESS 000(SW/REG)
:INPUT #2 OFFSET ADDRESS 030(DISK)
:INPUT #3 OFFSET ADDRESS 020(FLOPPY)
:INPUT #4 OFFSET ADDRESS 574(DTE 20)

BM873-YJ BOOTSTRAP ROM LOADER
M873-YJ RESTART LOADER LOCATION CDEF02
DD11-B BACKPLANE
LOWEST ACCEPTABLE REVISION ETCH REV N/A CS REV J

THE M873-YJ MODULE SHOULD ALREADY BE CONFIGURED CORRECTLY.
HOWEVER, AS A QUICK VERIFY THE MODULE MAY BE COMPARED AGAINST THE FOLLOWING TABLE.

DIODE FIELD

BOOT FUNCTION SWITCH	STARTING ADDRESS	BIT 8	BIT 7	BIT 6	BIT 5	BIT 4	BIT 3	BIT 2	BIT 1
REG	773000	OUT	OUT	OUT	OUT	OUT	OUT	OUT	OUT
RJP04		D30	D26	D22	D18	D14	D10	D6	D2
DISK	773030	OUT	OUT	OUT	OUT	IN	IN	OUT	OUT
RX11		D31	D27	D23	D19	D15	D11	D7	D3
FLOPPY	773020	OUT	OUT	OUT	OUT	IN	OUT	OUT	OUT
DTE20	773230	OUT	IN	OUT	OUT	IN	IN	OUT	OUT

ROM PART NOS.

LOCATION	PART NUMBER
E16	23412A2
E17	24313A2
E19	23414A2
E20	23415A2

JUMPER CONFIG.

W1 IN
W2 OUT
W3 OUT
RESISTOR R3 SHOULD BE REMOVED

DD11-B PERIPHERAL MOUNTING PANEL (WIRE LIST REV E)
54-2057 ETCHED BACKPLANE
LOWEST ACCEPTABLE REVISION ETCH REV N/A CS REV B
H7-20 BULK POWER SUPPLY (CS REV A) (11/40 AND PERIPHERALS CAB)
H7-- +5V REGULATOR
LOWEST ACCEPTABLE REVISION ETCH REV N/A CS REV R
H7-5 -15V REGULATOR
LOWEST ACCEPTABLE REVISION ETCH REV N/A CS REV S
H7E+ +20V, -5V REGULATOR
LOWEST ACCEPTABLE REVISION ETCH REV N/A CS REV H
54-2086 REGULATOR
LOWEST ACCEPTABLE REVISION ETCH REV N/A CS REV H

THIS DRAWING AND SPECIFICATIONS ARE THE PROPERTY OF DIGITAL EQUIPMENT CORPORATION AND SHALL NOT BE REPRODUCED OR COPIED OR USED IN WHOLE OR IN PART AS THE BASIS FOR THE MANUFACTURE OR SALE OF ITEMS WITHOUT WRITTEN PERMISSION. COPYRIGHT © 1983, DIGITAL EQUIPMENT CORPORATION

REVISIONS

CHK	CHANGE NO.	REV

digital	DATE ENG.	DATE	TITLE:	2040 CONSOLE PROCESSOR
	CHK'D.	DATE	BOARD LOCATION:	N/A
DSK:2040AD.T2P(4,73)		08-FEB-83 09:36	NEXT HIGHER ASSEMBLY:	SIZE CODE
FIRST USED ON OPTION/MODEL: KL10		3-DD-KL10-0	NUMBER	7011418-0-0
			REV.	J

THIS DRAWING AND SPECIFICATIONS HEREIN ARE THE PROPERTY OF DIGITAL EQUIPMENT CORPORATION AND SHALL NOT BE REPRODUCED OR COPIED OR USED IN WHOLE OR IN PART AS THE BASIS FOR THE MANUFACTURE OR SALE OF ITEMS WITHOUT WRITTEN PERMISSION
 COPYRIGHT ©1975 DIGITAL EQUIPMENT CORPORATION

RX0/RX0/RX02 FLOPPY DISK CONTROLLER/DRIVE

M7846 RX0/RX02/RX11 INTERFACE LOCATION CDEF03 (D011-B BACKPLANE)

LOWEST ACCEPTABLE REVISION ETCH REV A CS REV B
 JUMPER TABLE

JUMPER	STATE	COMMENTS
A3	OUT	ADDRESS BIT 03
A4	OUT	ADDRESS BIT 04
A5	OUT	ADDRESS BIT 05
A6	OUT	ADDRESS BIT 06
A7	IN	ADDRESS BIT 07
A8	IN	ADDRESS BIT 08
A9	OUT	ADDRESS BIT 09
A10	OUT	ADDRESS BIT 10
A11	OUT	ADDRESS BIT 11
A12	OUT	ADDRESS BIT 12
V2	IN	VECTOR BIT 02
V3	IN	VECTOR BIT 03
V4	OUT	VECTOR BIT 04
V5	IN	VECTOR BIT 05
V6	OUT	VECTOR BIT 06
V7	IN	VECTOR BIT 07
V8	OUT	VECTOR BIT 08

A3-A10 CORRESPOND TO A BASE ADDRESS OF 777170
 V2-V8 CORRESPOND TO A VECTOR ADDRESS OF 264
 PRIORITY PLUG 5409770-0-0 (BR5)
 COMMAND AND STATUS REGISTER (RXCS) 777170
 DATA BUFFER REGISTER (RXDB) 777172
 CABLE BC05L-15 CONNECTED BETWEEN BERG CONNECTOR AND MATING CONNECTOR ON M7726.
 (RED LINE TOWARD MODULE FINGERS, RIB AGAINST MODULE)

M7726 MICROPROGRAMMED DRIVE CONTROLLER

LOWEST ACCEPTABLE REVISION ETCH REV A CS REV E
 NO JUMPERS OR OTHER CONFIGURABLE COMPONENTS.
 THE KM11 MAINTENANCE MODULE SET (W130 W131) WITH OVERLAY A-SS-5509001-0-14
 MAY BE USED TO SINGLE STEP THROUGH THE FIRMWARE. A SPECIAL CONNECTOR IS
 ALLOCATED FOR THIS PURPOSE. THE LIGHT AND SWITCH FUNCTIONS ARE AS FOLLOWS:

SWITCH	FUNCTION
RUN ENAB	ON - M7726 CLOCK OFF - MAINTENANCE CLOCK (CONTINUE)
CONTINUE	ON - ADVANCE FIRMWARE ONE STEP OFF - NORMAL POSITION
ERROR HLT	ON - HALT CONTROLLER WHEN ERROR DETECTED OFF - NO HALT WHEN ERROR DETECTED
LIGHT	FUNCTION
HALT	FIRMWARE HALTED
INST 1 AND 0	INSTRUCTION BITS
SELECT FLD	SELECTS 1 OF 16 CONDITIONS
C0 AND C1	CONTROL FUNCTIONS
FIELD	ROW FIELD
PROGRAM COUNTER (0-5)	ADDRESS+1 OF INSTRUCTION DISPLAYED
COUNTER (6-7)	DISPLAYS CONTENTS OF COUNTER REGISTER

CARE MUST BE TAKEN TO PLUG BC05L-15 CABLE INTO ITS APPROPRIATE CONNECTOR PROPERLY ORIENTED.
 (SMOOTH SIDE OF CABLE AGAINST MODULE, RED LINE TOWARD FRONT OF DRIVE)

M7727 READ/WRITE CONTROL

LOWEST ACCEPTABLE REVISION ETCH REV A CS REV A
 NO JUMPERS OR OTHER CONFIGURABLE COMPONENTS
 CONNECTOR TABLE

CONNECTOR	DESCRIPTION
J1	DISK DRIVE INTERFACE CABLE
J2	POWER FROM M771 POWER SUPPLY
DK0(P3)	HEAD CABLE
DK0(P4)	STEPPER MOTOR
DK0(P5)	HEAD LOAD SOLENOID
DK0(P6)	INDEX SIGNAL
DK0(P7)	TRACK ZERO SIGNAL
DK0(P8)	WRITE PROTECT (NOT USED)
DK1(P3)	HEAD CABLE
DK1(P4)	STEPPER MOTOR
DK1(P5)	HEAD LOAD SOLENOID
DK1(P6)	INDEX SIGNAL
DK1(P7)	TRACK ZERO SIGNAL
DK1(P8)	WRITE PROTECT (NOT USED)

M771 POWER SUPPLY REGULATOR (5411390)
 LOWEST ACCEPTABLE REVISION ETCH REV A CS REV C

REVISIONS		
CHK	CHANGE NO	REV

DAD 7011418-0-0

mk

LINE ITEM	DOCUMENT NUMBER	PART NUMBER	DESCRIPTION	QUANTITY PER VARIATION	
				01	02
1	E-AD-7011293-0-0	7011293-01	CABINET	1	1
2	E-AD-7011293-0-0	7011293-04	*** THIS ITEM IS NOT USED ***	-	-
3	D-UA-11/40-AP-0	11/40-AP	11/40-AK,MM11-UP,120V	1	-
4	D-UA-11/40-AR-0	11/40-AR	11/40-AL,MM11-UP,240V	-	1
5	D-UA-RH11-AB-0	ORH11-AB	RS03 CONTROL UP TO 16 DUAL PORT	1	1
6	A-PL-DD11-B-0	ODD11-B	CARD CONTROL , MOUNTING PANEL	2	2
7	D-CS-BM873-YF-0	BM873-YF	*** THIS ITEM IS NOT USED ***	-	-
8	A-PL-DL11-0-0	ODL11-C	DL11-A 5-8 BIT PARITY CHOICE	1	1
9	A-PL-DL11-0-0	ODL11-E	ASYN LINE INTERF	1	1
10	A-PS-1805501-0-0	1805501-07	XTAL 4.608 MHZ	2	2
11	A-PL-KW11-L-0	OKW11-L	CLOCK LINE FREQUENCY INTERVAL	1	1
12	D-UA-M9202-0-0	M9202-00	CABLE UNIBUS JUMPER	3	3
13	D-MD-7409445-0-0	7409445-00	BRACKET, HARNESS SUPPORT	2	2
14	D-IA-7409446-0-0	7409446-00	HARNESS, SUPPORT	2	2
15	B-MD-7409447-0-0	7409447-00	PLATE, SUPPORT	2	2
16	A-PL-7010865-0-0	7010865-00	BRKT SHIPPING 11/70	2	2
17	SEE NOTE 1	7409305-02	BEZEL REWORK 11/45	1	1
18	SEE NOTE 1	7011769-00	CONSOLE REWORK	1	1
19	C-IA-7410581-0-0	7410581-00	BRKT CABLE HOLD DOWN 11/45	3	3
20	D-PS-1211215-0-0	1211215-00	CABLE CLAMP AND STRAP	5	5
21		9006039-01	SCREW,MACH PAN PHIL 8-	4	4
22		9006073-03	SCREW,MACH TRUSS PHIL 10-	82	32
23		9007651-00	WASHER,LOCK EXTERNAL STEEL	88	88
24		9007786-00	NUT,U-NUT RETAINER .240ID	67	67
25		9006634-00	WASHER,LOCK INTERNAL STEEL	8	8
26		9007980-00	TIE,CABLE BUNDL DIA 0-1.14"=101	20	20
27		9008264-00	MOUNT, CABLE TIE, ADHESIVE BACKE	10	10
28		9007867-00	MOUNT, PUSH,CABLE TIE	10	10
29		9008905-01	SCREW,MACH PAN PHIL 3-	6	6
30	D-IA-7010167-0-0	7010167-00	SUPPORT HARNESS (11/40)	1	1

REVISION HISTORY			BASIC PART NO: 7011418		
ENGI	ECO NUMBER	REV	SECTION A OF A	DRN: K. GAMACHE	DATE: 5-AUG-75
JT	KL10-E-MR015	F	SECTION. VARIATION INDEX	CHK'D: D. SIREEN	DATE: 3-NOV-75
JT	7011418-MR004	H	CAJ 01,02	DES.ENG.: R. OLSEN	DATE: 18-AUG-75
JC	KL10-E-MR021	J	[B]	RESP.ENG.: R. OLSEN	DATE: 18-NOV-75
			[C]	MFG.ENG.: L. CORNELL	DATE: 3-NOV-75
			[D]	ASSEMBLY NUMBER:	TOP DOCUMENT NUMBER:
			[E]	E-AD-7011418-0-0	#B-DD-KL10-E
			[F]		FILE NAME: Z1958J.PLS
					EDIT # 14

"THIS DRAWING AND SPECIFICATIONS HEREIN, ARE THE PROPERTY OF DIGITAL EQUIPMENT CORPORATION AND SHALL NOT BE REPRODUCED OR COPIED OR USED IN WHOLE OR IN PART AS THE BASIS FOR THE MANUFACTURE OR SALE OF ITEMS WITHOUT WRITTEN PERMISSION. COPYRIGHT (C) 1983. DIGITAL EQUIPMENT CORPORATION"

LINE ITEM	DOCUMENT NUMBER	PART NUMBER	DESCRIPTION	QUANTITY PER VARIATION	
				01	02
31	31	SEE NOTE 1	EN01638-03	TABLE, SYS MOD DEC3 (378) 1638N5	1 1
32	32	E-UA-BA11-FB-0	0BA11-FB	MOUNT BOX EXPANSION 11/40	1 1
33	33	E-UA-H7420-A-0	H7420-A	POW SUPPLY HI POW H742-A 115V	1 -
34	34	E-UA-H7420-B-0	H7420-B	POW SUPPLY HI POW H742-B 230V	- 1
35	35	E-UA-H744-0-0	0H744-00	POWER REGULATOR	3 3
36	36	E-UA-H745-0-0	0H745-00	POWER REGULATOR	2 2
37	37	E-UA-861-D-0	00861-D	120VAC 24A 3 PHASE POWER CONTROL	1 -
38	38	E-UA-861-E-0	00861-E	240VAC 12A 3 PHASE POWER CONTROL	- 1
39	39	E-IA-7009566-0-0	7009566-00	HARNESS 21 IN BOX POWER	1 1
40	40	D-IA-7009573-0-0	7009573-00	HARNESS 6 PIN JUMPER	2 2
41	41	D-MD-7411583-0-0	7411583-00	BRKT BEZEL MTG (DC76)	2 2
42	42	C-UA-BC08R-0-0	BC08R-06	H856-H856 3M CABLE(6")	2 2
43	43	D-UA-RX11-BA-0	0RX11-BA	*** THIS ITEM IS NOT USED ***	- -
44	44	D-UA-RX11-BD-0	0RX11-BD	*** THIS ITEM IS NOT USED ***	- -
45	45	SEE NOTE 1	EN01657-03	TABLE, SYS MOD DEC3 (378) 1657N6	1 1
46	46		1700015-09	*** THIS ITEM IS NOT USED ***	- -
47	47		1700016-09	*** THIS ITEM IS NOT USED ***	- -
48	48		1210922-02	*** THIS ITEM IS NOT USED ***	- -
49	49		1210821-02	*** THIS ITEM IS NOT USED ***	- -
50	50		9006565-00	NUT, HEX EXT TOOTH LCKWSHR 10-32	9 9
51	51		1209378-02	*** THIS ITEM IS NOT USED ***	- -
52	52		1209379-02	*** THIS ITEM IS NOT USED ***	- -
53	53		9006047-01	SCREW, MACH PAN PHIL 8-	6 6
54	54		9006571-00	NUT, WING 8-32X .85 WD SS/P	4 4
55	55		9006662-00	WASHER, FLAT SST	2 2
56	56		9009228-10	SCREW, SEMS PAN PHIL 10-	20 20
57	57		9006071-03	SCREW, MACH TRUSS PHIL 10-	4 4
58	58		9006043-01	SCREW, MACH PAN PHIL 8-	4 4
59	59		9009642-00	SCREW, SEMS PAN PHIL 8-	4 4
60	60		9008987-00	STRAP, JUMPER, BRAID WITH TERMINA	2 2
61	61		1209010-00	CONN, POWER SPIN PLUG 240V 30A	- 1
62	62		1700028-00	PWR CORDAGE 5COND 10AWG STD	- A/R
63	63	A-ML-DB11-A-0	0DB11-A	UNIBUS SWITCH	1 1
64	64	D-UA-BC11A-2-0	BC11A-02	CABLE ASSY PDP-11 M919-M929	1 1
65	65	A-PL-BM873-YJ-0	BM873-YJ	BOOT STRAP LOADER	1 1
66	66	E-UA-RX02-0-0	0RX02-BA	DUAL FLOPPY DISK SYSTEM, 1024KB, 1	1 -
67	67	E-UA-RX02-0-0	0RX02-BD	DUAL FLOPPY DISK SYSTEM, 1024KB, 2	- 1
68	68	D-CS-M7846-0-1	M7846-00	RX01 UNIBUS INTERFACE, QUAD	1 1
69	69		1318784-01	R NETWORK MULTI-VALUE 16PIN	1 1

70 NOTE: 1 ITEMS 17,18,31,45 ARE INCLUDED FOR COMPLETENESS OF ASSEMBLY
 71 NOTE: - BUT DECALES, BEZEL AND SILK SCREEN SHOULD NOT BE INSTALLED UNTIL
 72 NOTE: - FINAL SHIP TO END CUSTOMER.

RELEASABLE

D	I	G	I	T	A	L	TITLE	SECTION A OF A	SIZE	CODE	DOCUMENT NUMBER	REV
							2040 CONSOLE PROCESSOR				7011418-0-DBP	J

THIS DRAWING AND SPECIFICATIONS HEREIN ARE THE PROPERTY OF DIGITAL EQUIPMENT CORPORATION AND SHALL NOT BE REPRODUCED OR COPIED OR USED IN WHOLE OR IN PART AS THE BASIS FOR THE MANUFACTURE OR SALE OF ITEMS WITHOUT WRITTEN PERMISSION. COPYRIGHT © 1974, DIGITAL EQUIPMENT CORPORATION

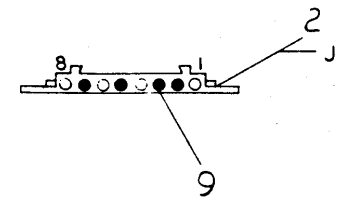
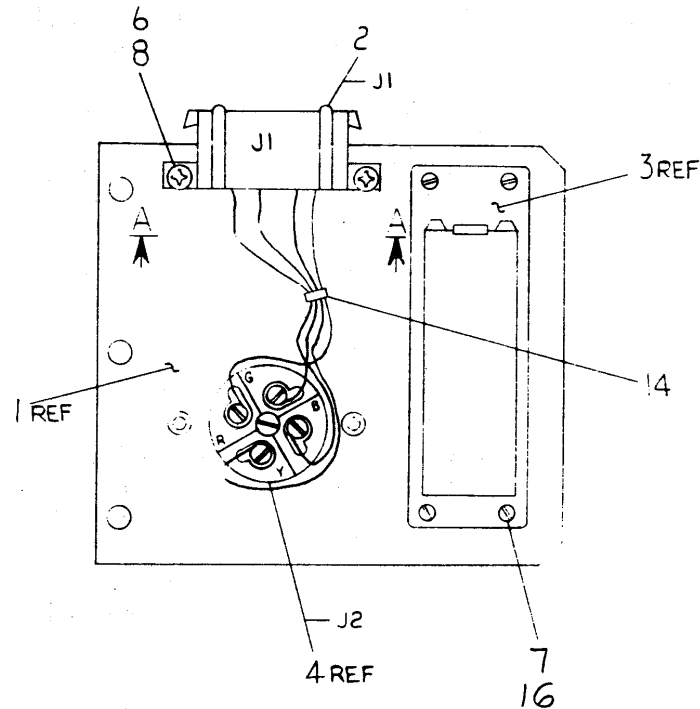
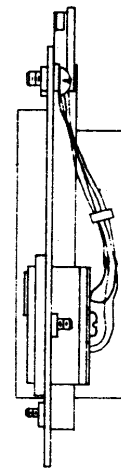
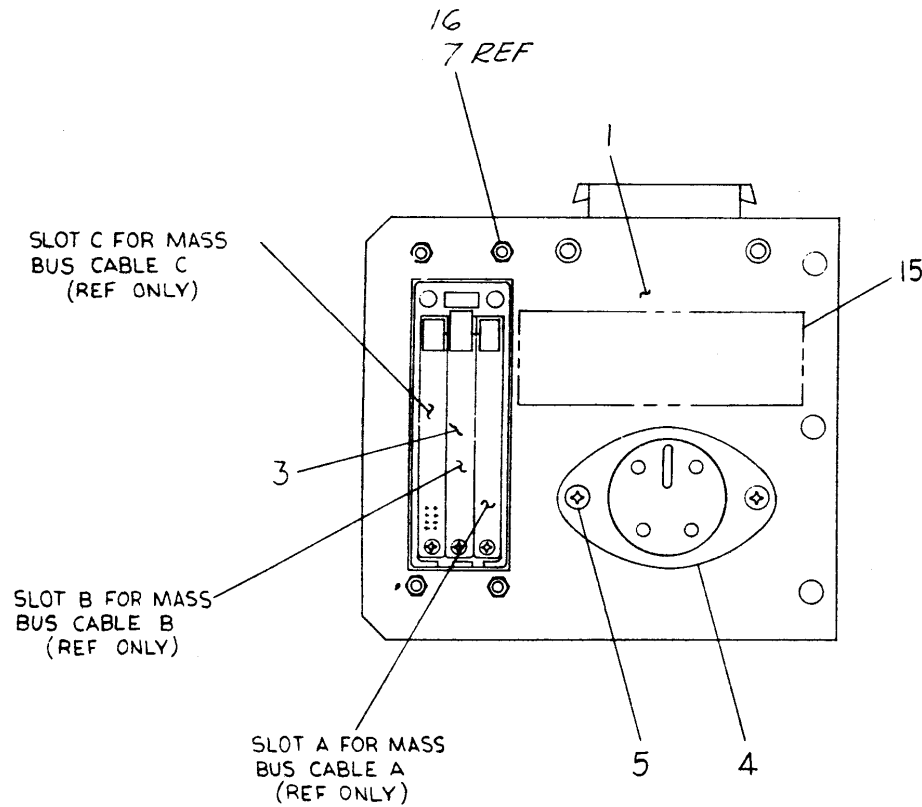
WIRE TABLE

ITEM NO.	DESCRIPTION	FROM		TO		REMARKS
		AWG	COLOR	CONN	WITH	
11	22	BLK	J1-7	ITEM #9	J2-B	
13	22	RED	J1-2	ITEM #9	J2-R	
10	22	WHT	J1-3	ITEM #9	J2-Y	
12	22	GRN	J1-5	ITEM #9	J2-G	

DO NOT SCALE DRAWING

0 0-1120102 2 1

NOTES:
1. USE ITEM # 17 TO CONNECT A TERMINAL WITH STANDARD MATE'N'LOK CONNECTOR TO ITEM # 4. ASSEMBLE WITH ITEM 17 CONNECTED TO ITEM 4.



VIEW A-A
SKT. INSERTION SIDE

(SEE NOTE 1)

QTY.	DESCRIPTION	PART NO.	ITEM NO.
1	CABLE ASSY, 283B/MATE'N'LOK	D-IA-7014490-2-0	17
4	NUT, KEPS #1-40	9006557	16
1	LABEL, ADHESIVE BACKED	9009255	15
1	T-E CABLE	9007031-0-0	14
4 IN	WIRE #22 AWG STRD (RED)	9107350-22	13
4 IN	WIRE #22 AWG STRD (GRN)	9107350-55	12
4 IN	WIRE #22 AWG STRD (BLK)	9107350-00	11
4 IN	WIRE #22 AWG STRD (WHT)	9107350-99	10
4	TERMINAL SKT CONTACT	1209379-03	9
2	WASHER, INT. TOOTH LOK #6	9006633	8
4	SCR, SLTTED FILHD #4-40x.38	9006390-6	7
2	SCR, PHL. PAN HD 6-32x.31	9006021-1	6
2	SCR, PHL. FLAT HD 6-32x.25	9006020-2	5
1	PHONE JACK	120585T-3	4
1	HCUSING ASSY, RECEPTACLE	D-AD-700946100	3
1	HSG B SKT MATE'N'LOK	120934C-00	2
1	PLATE, CONN.	D-IA-7012711-0-0	1

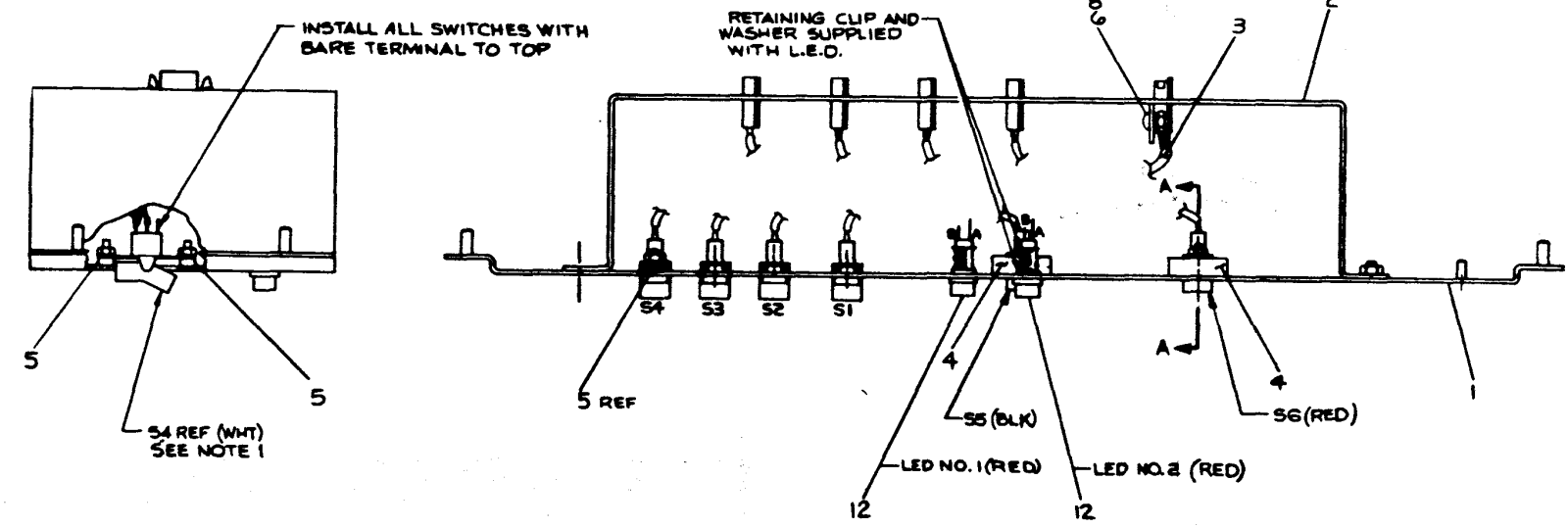
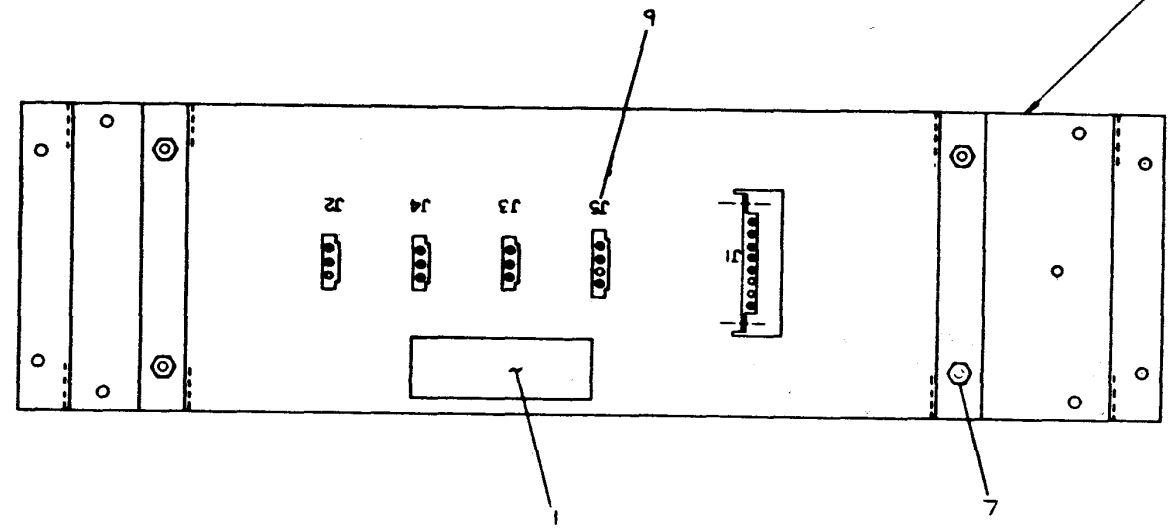
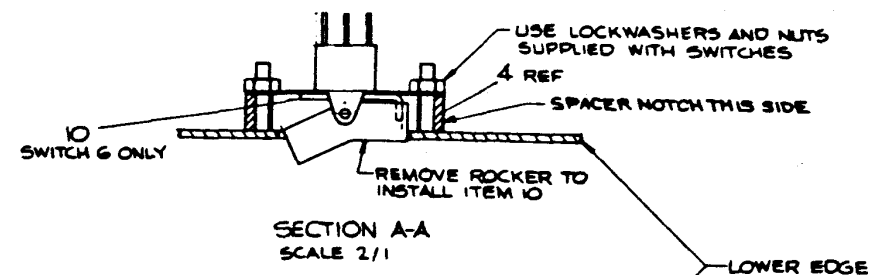
REV.	CHANGE NO.	DESCRIPTION
1	7010311 MRO01	A
2	7010311 MRO01	A
3	7010311 MRO01	A
4	7010311 MRO01	A
5	7010311 MRO01	A
6	7010311 MRO01	A
7	7010311 MRO01	A
8	7010311 MRO01	A

FIRST USED ON OPTION/MODEL KLI0		PARTS LIST	
DIMENSIONAL TOLERANCE DIMENSIONS ARE IN INCHES UNLESS OTHERWISE SPECIFIED		DRN. DATE M. J. J. 10-3-74	
MILLIMETERS INCHES ANGLES XXX ±0.10 XXX ±0.005 90° 30' XX ±0.05 XX ±0.02 X ±0.2 X ±0.1		CHK'D. DATE 10-2-74	
THIRD ANGLE PROJECTION REMOVE BURRS AND BREAK SHARP CORNERS SURFACE QUALITY		ENG. DATE 10/30/74	
MATERIAL SEE PARTS LIST		TITLE PLATE, CABLE CONVERSION ASSY.	
FINISH		NEXT HIGHER - S.S.Y.	
D-UA-KLI000		SIZE CODE NUMBER D AD 7010311-0-0	
SCALE 1/1		REV. A	
SHEET 1 OF 1		DIST.	

ALL DIMENSIONS AND TOLERANCES UNLESS OTHERWISE SPECIFIED ARE IN INCHES. DIMENSIONS IN PARENTHESES ARE FOR INFORMATION ONLY. DIMENSIONS IN BRACKETS ARE FOR INFORMATION ONLY.

HARNESS CONNECTION TABLE			
ITEM NO.	HARNESS POINT	TERMINATION CONNL. (REF.)	CONNECTION
3	33		ANODE NO.1-A
1	34		CATHODE NO.1-B
1	35		ANODE NO.2-A
1	36		CATHODE NO.2-B
3	37		CATHODE NO.2-B

NOTES:
1. SWITCHES 1 THRU 4 (WHT) IDENTIFIED WITH NUMERALS 1 THRU 4.



2	L.E.D. (RED)	1272749-0	12
1	LABEL ADHESIVE BACK	4004255	11
1	LOCK SWITCH	518743285-0-8	10
1	DECAL, PWR CONNL WHT	40040879-0-0	9
2	BOX, PWR PANI HD 6-32-38LG	40040822-1	8
4	NUT, KEPS #8-32	4006563	7
2	NUT, KEPS #6-32	4006560	6
8	SPACER, HEX 1/4-12 LG	4004283	5
2	SPACER	518743285-0-0	4
1	HARNESS SWITCH PANEL	518743285-0-0	3
1	CRASSIS, SWITCH PANEL	518743285-0-0	2
1	PLATE, SWITCH MOUNTING	518743285-0-0	1

SWITCH PANEL ASSY

AD 7011633-0-0

MR 1

1272749-0

4004255

518743285-0-8

40040879-0-0

40040822-1

4006563

4006560

4004283

518743285-0-0

518743285-0-0

518743285-0-0

1272749-0

4004255

518743285-0-8

40040879-0-0

40040822-1

4006563

4006560

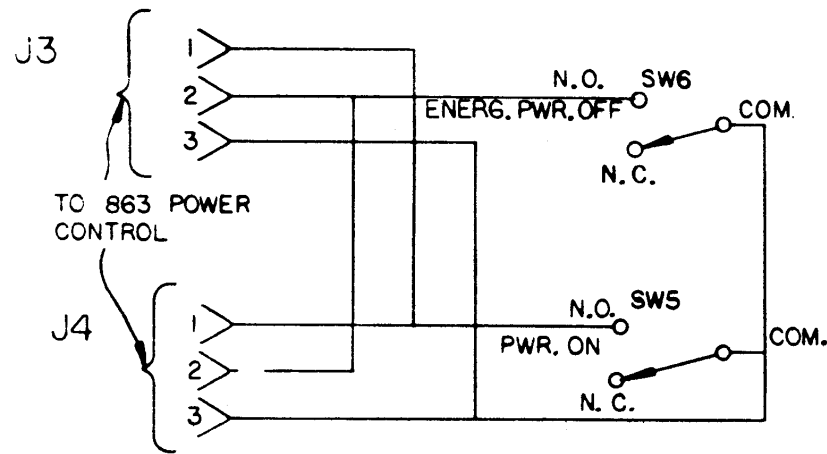
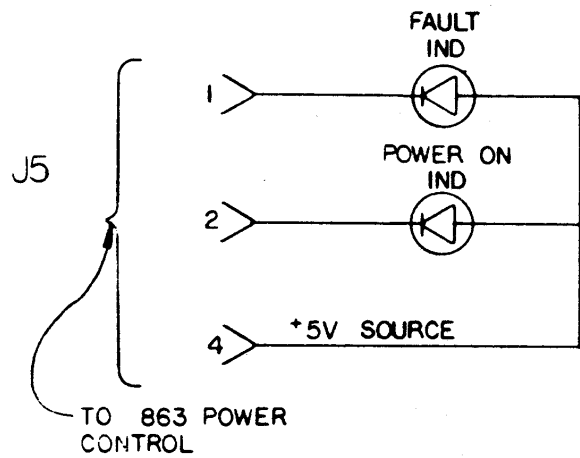
4004283

518743285-0-0

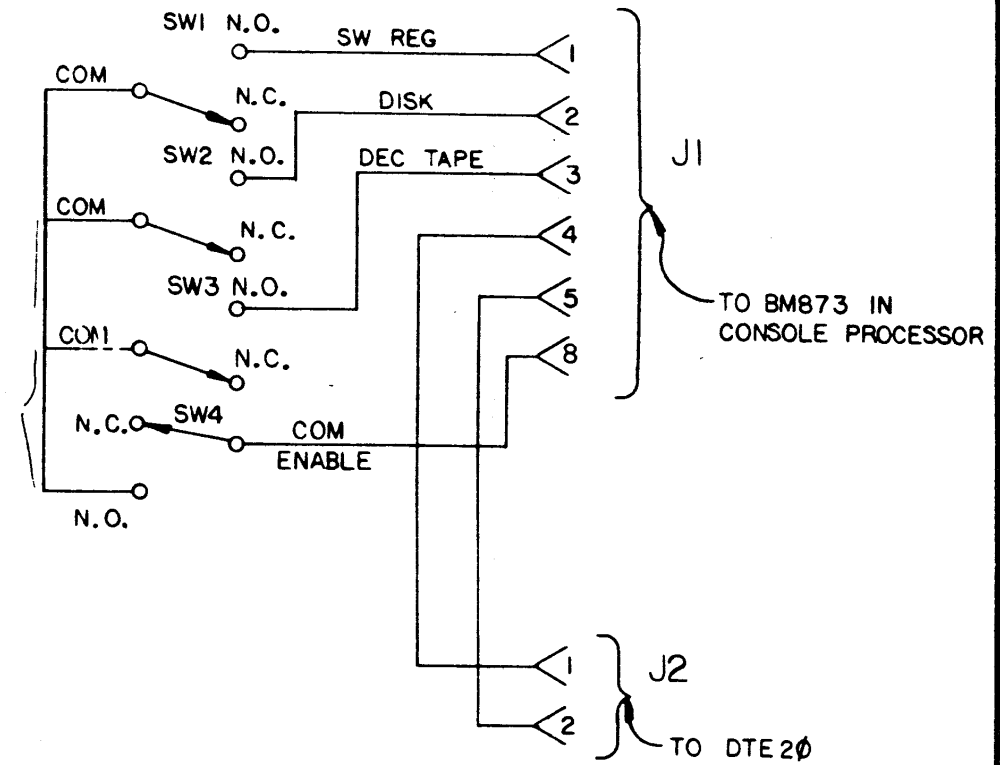
518743285-0-0

518743285-0-0

THIS DRAWING AND SPECIFICATIONS, HEREIN, ARE THE PROPERTY OF DIGITAL EQUIPMENT CORPORATION AND SHALL NOT BE REPRODUCED OR COPIED OR USED IN WHOLE OR IN PART AS THE BASIS FOR THE MANUFACTURE OR SALE OF ITEMS WITHOUT WRITTEN PERMISSION. COPYRIGHT © 1975 DIGITAL EQUIPMENT CORPORATION



SW1 - SW4 ARE MOMENTARY CONTACT SWITCHES



ALL SWITCHES SHOWN IN THE 'OFF' POSITION

REV.	
CHANGE NO.	
CHK	

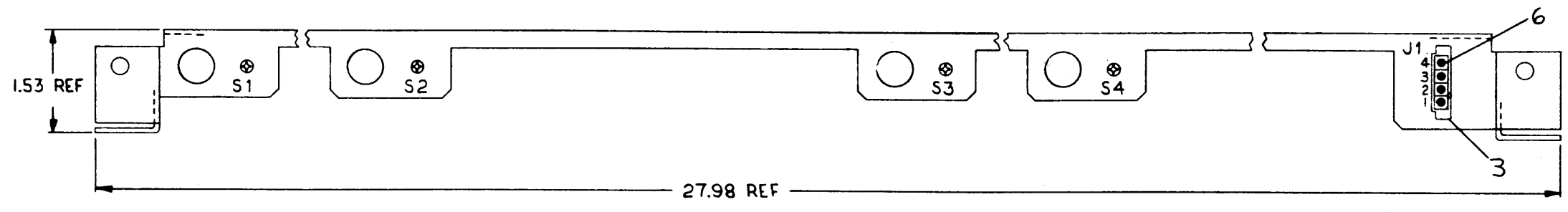
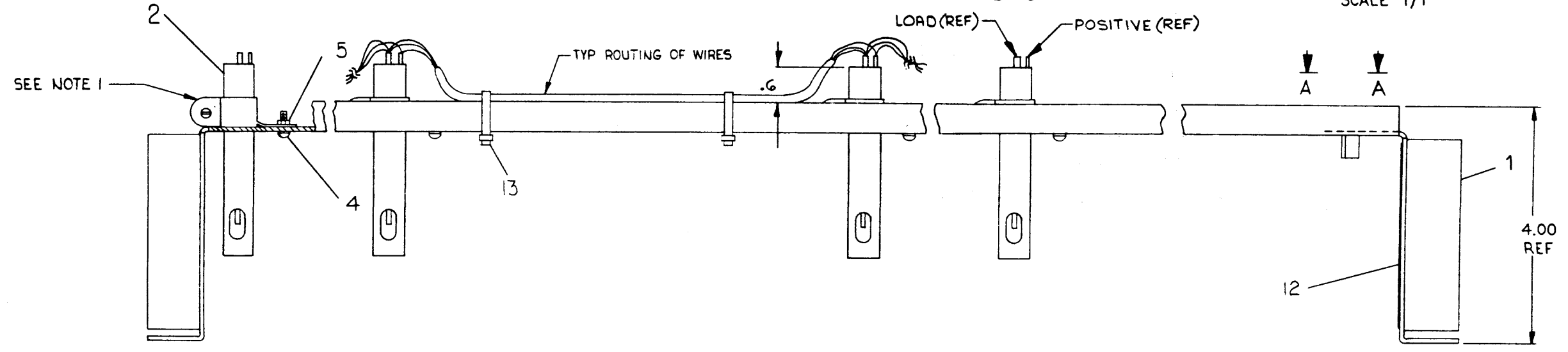
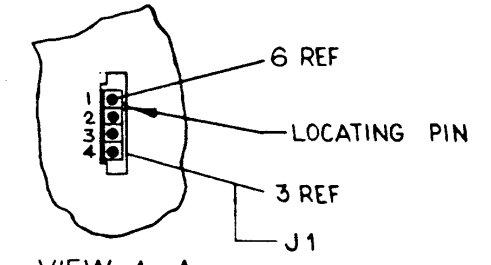
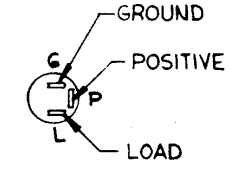
FIRST USED ON OPTION/MODEL KL10-C		QTY.	DESCRIPTION	PART NO.	ITEM NO.
DIMENSIONAL TOLERANCE		PARTS LIST			
DIMENSIONS ARE MILLIMETERS UNLESS OTHERWISE SPECIFIED		DRN. <i>M. Gohie</i>	DATE 20 Nov 75	digital	
MILLIMETERS INCHES FEET/INCHES		CHK'D. <i>D. L. Reed</i>	DATE 15 Dec 75		
X,XX ±0.10	XX ±0.05	ENG. <i>D. Santella</i>	DATE 16 Dec 75	TITLE SWITCH PANEL	
XX ±0.5	XX ±0.02	PROJ. ENG. <i>Ryan M. Oby</i>	DATE 31 Dec 75		
X ±.2	X ±.1	PROD. <i>L. E. Cornell</i>	DATE 16 Jan 76		
THIRD ANGLE PROJECTION	REMOVE BURRS AND BREAK SHARP CORNERS SURFACE QUALITY ✓	NEXT HIGHER ASSY.			
MATERIAL	FINISH	B-DD-KL10-C	SIZE CODE C CS	NUMBER 7011639-0-1	REV.
		SCALE	DIST.		
		SHEET	OF		

REV. 1
NUMBER
CCS 7011639-0-1

THE DRAWING AND SPECIFICATIONS HEREIN ARE THE PROPERTY OF DIGITAL EQUIPMENT CORPORATION AND SHALL NOT BE REPRODUCED OR COPIED OR USED IN WHOLE OR IN PART AS THE BASIS FOR THE MANUFACTURE OR SALE OF ITEMS WITHOUT WRITTEN PERMISSION. COPYRIGHT © 1974, DIGITAL EQUIPMENT CORPORATION.

WIRE TABLE						
ITEM NO	DESCRIPTION	FROM	TO			
			CONN	TERM		
9	22	BLK	S1-G	10 & 11	S2-G	10 & 11
9		BLK	S3-G	10 & 11	S4-G	10 & 11
9		BLK	J1-2	6	J1-1	6
8		ORN	S1-P	10 & 11	S2-P	10 & 11
8		ORN	S3-P	10 & 11	S4-P	10 & 11
8		ORN	J1-3	6	S4-L	10 & 11
7		YEL	S1-L	10 & 11	S2-L	10 & 11
7		YEL	S3-L	10 & 11	S4-L	10 & 11
7	22	YEL	J1-4	6	S4-L	10 & 11

NOTES:
1. SWITCH MOUNTING HARDWARE SUPPLIED WITH VANE SWITCH.



QTY.	DESCRIPTION	PART NO.	ITEM NO.
8	CABLE TIES	9007032	13
1	LABEL ADHESIVE BACK	9009255	12
12	SHRINKABLE TUBING	9107305-02	11
12	TERMINAL QUICK CONNECT	9009137-01	10
A/R	WIRE, 22 AWG STRD (BLK)	9107350-00	9
A/R	WIRE, 22 AWG STRD (ORN)	9107350-33	8
A/R	WIRE, 22 AWG STRD (YEL)	9107350-44	7
4	TERMINAL SKT CONTACT	1209379-06	6
4	NUT, KEP 6-32	9006560	5
4	SCR., PH. HD. PAN 6-32x.38	9006022-1	4
1	CONN SKT HSG 4 PIN	1209350-04	3
4	VANE SWITCH SPST N.O.	1211608	2
1	BRACKET, SWITCH	D-MD-7411372-0-0	1

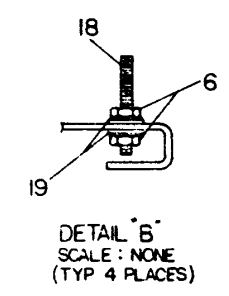
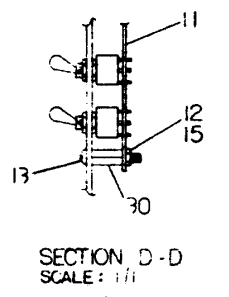
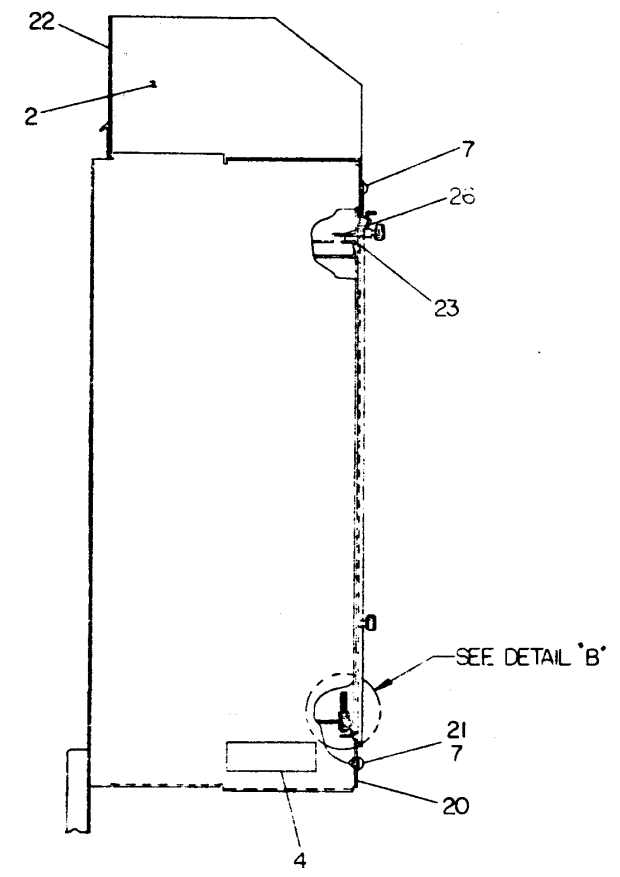
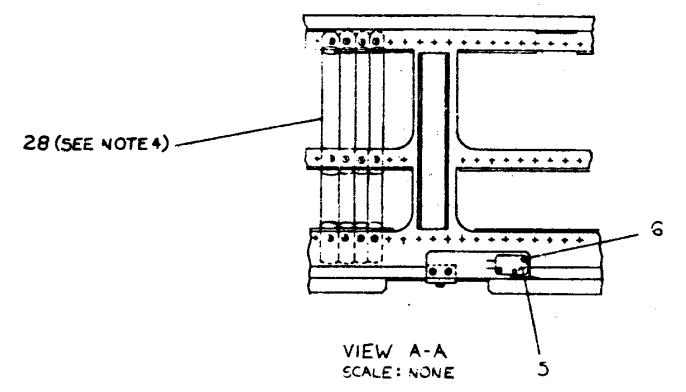
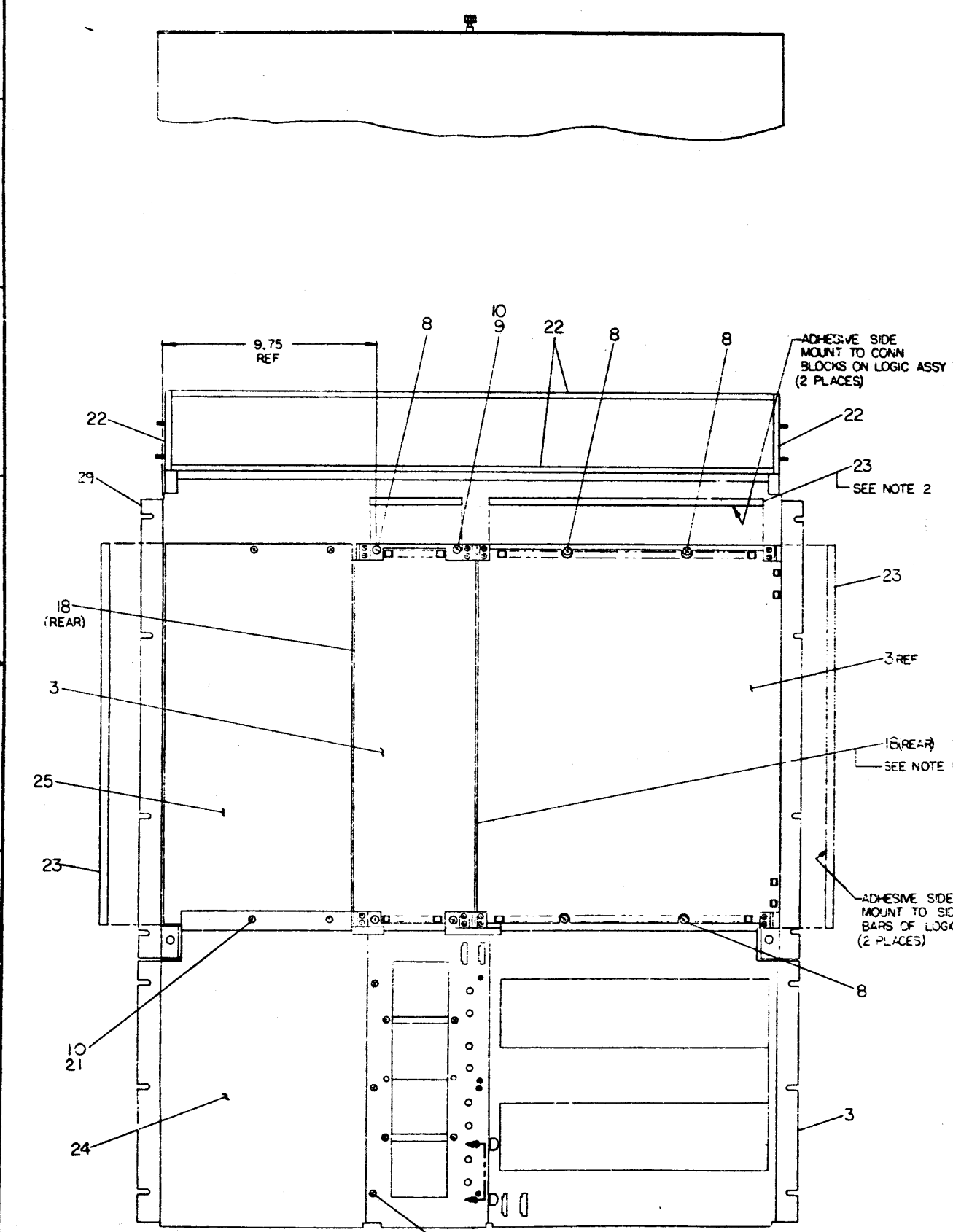
FIRST USED ON OPTION/MODEL KLIØ		DRN. M. <i>Quene</i> DATE 3-18-74		digital
DIMENSIONAL TOLERANCE		CHK'D. <i>Quene</i> DATE 3/25/74		
DIMENSIONS ARE IN INCHES UNLESS OTHERWISE SPECIFIED		ENG. <i>W. Prudent</i> DATE 3/17/75		TITLE VANE SWITCH ASSY.
MILLIMETERS		PRD. ENG. <i>W. Prudent</i> DATE 3/17/75		
THIRD ANGLE PROJECTION		PROD. <i>W. Prudent</i> DATE 3-22-74		NUMBER 7009876-0-0
REMOVES BURRS AND BREAK SHARP CORNERS SURFACE QUALITY ✓		NEXT HIGHER ASSY.		
MATERIAL SEE PARTS LIST		SIZE CODE D UA-KLIØ-Ø-Ø		REV. A
FINISH +		SCALE 1/1		
SHEET 1 OF 1		DIST.		

REV.	CHANGE NO.	DATE	BY
1	7009876-0001	A	J. PROVIDENT

REV. A
DAD 7009876-0-0
MR

THIS DRAWING AND SPECIFICATIONS ARE THE PROPERTY OF MILITARY ELECTRONIC CORPORATION AND SHALL NOT BE REPRODUCED OR COPIED IN WHOLE OR IN PART AS THE BASIS FOR THE DESIGN OR CONSTRUCTION OF ANY OTHER EQUIPMENT WITHOUT THE WRITTEN CONSENT OF MILITARY ELECTRONIC CORPORATION

- NOTES:
1. INSTALL ITEMS 6, 18 AND 19 IN REAR HOLES 17 AND 28
 2. SEAL ASSY AGAINST AIR LEAKAGE WITH FOAM TAPE (ITEM # 23 & 22) AS SHOWN OR EQUIV.
 - ~~3. AT ITEM 27 (FOAM) OR EXISTING FOAM AS SHOWN IN VIEW A-A~~
 4. INSTALL MODULE SIMULATORS (ITEM 28) IN THE FOLLOWING SLOTS: THRU 2 & 31 THRU 42



CAUTION:
OFF SHEET PARTS LIST EXISTS
SEE: X-PL-7012278-0-08P

1	2	3	4	5	6	7	8	9	10	11	12	13	14	15	16	17	18	19	20	21	22	23	24	25	26	27	28	29	30
...

QUANTITY & VARIATION		DESCRIPTION		DWG PART NO.		TYPE NO.	
...
MATERIAL				FIRST USED ON			
...				KL10-C (Digital)			
TITLE				...			
RH20/DTE20				...			
LOGIC ASSY				...			
SCALE				...			
...				...			
SHEET				...			
...				...			

LINE ITEM	DOCUMENT NUMBER	PART NUMBER	DESCRIPTION	QUANTITY PER VARIATION
				00
1	E-IA-7009859-0-0	7009859-00	*** THIS ITEM IS NOT USED ***	-
2		1213011-00	BLOWER,CENTRIFUGAL .400CFM 115V	1
3	E-AD-7009429-0-0	7009429-00	WIRED ASSY RH20 - DTE20	1
4		9009255-00	LABEL, POWER SUPPLY, 2-15/16 " L	1
5		1210755-00	SW,LEVER 1PST 11A277VAC	1
6		9006557-00	NUT,HEX EXT TOOTH LCKWSHR 4-40	10
7		9006072-01	SCREW,MACH PAN PHIL 10-	7
8		9006075-01	SCREW,MACH PAN PHIL 10-	6
9		9006565-00	NUT,HEX EXT TOOTH LCKWSHR 10-32	2
10		9008909-01	SCREW,MACH PAN PHIL 10-	6
11	D-IA-7010103-0-0	7010103-02	SWITCH ASSY 4 SW KL10	2
12		9008185-00	NUT,HEX EXT TOOTH LCKWSHR 6-32	4
13		9006028-01	SCREW,MACH PAN PHIL 6-	4
14		M8559-00	CLOCK DISTRIBUTION	1
15		9006653-00	WASHER,FLAT STEEL	4
16		9006806-00	*** THIS ITEM IS NOT USED ***	-
17	D-MU-KL10-0-RHDT		MODULE UTILIZATION	REF
18	B-MD-7413992-0-0	7413992-00	ROD SUPPORT 4-40 UNF	2
19		9006655-00	WASHER,FLAT SST	8
20	D-IA-7011520-0-0	7011520-00	VANE SWITCH ASSY	1
21		9006635-00	WASHER,LOCK INTERNAL STEEL	9
22		9008273-00	FOAM, TAPE 1/8" X 1/4" BLACK	A/R
23		9008274-00	FOAM, TAPE 3/8" X 3/8" BLACK	A/R
24	E-IA-7415270-0-0	7415270-00	PANEL,I/O CONN	1
25	C-MD-7413681-0-0	7413681-01	PLATE FULLER	1
26	D-IA-7012343-0-0	7012343-00	SCREEN, DIFFUSER ASSY (C-P-U)	1
27		9008479-01	FOAM POLYURETHANE	2
28	C-MD-7420793-0-0	7420793-00	MOD SIMULATOR	24
29	E-IA-7009859-0-0	7009859-01	COOLING ASSY,FULL DOOR	1
30		9006803-00	SPACER,CLEAR HOLE HEX ALUM 6	4

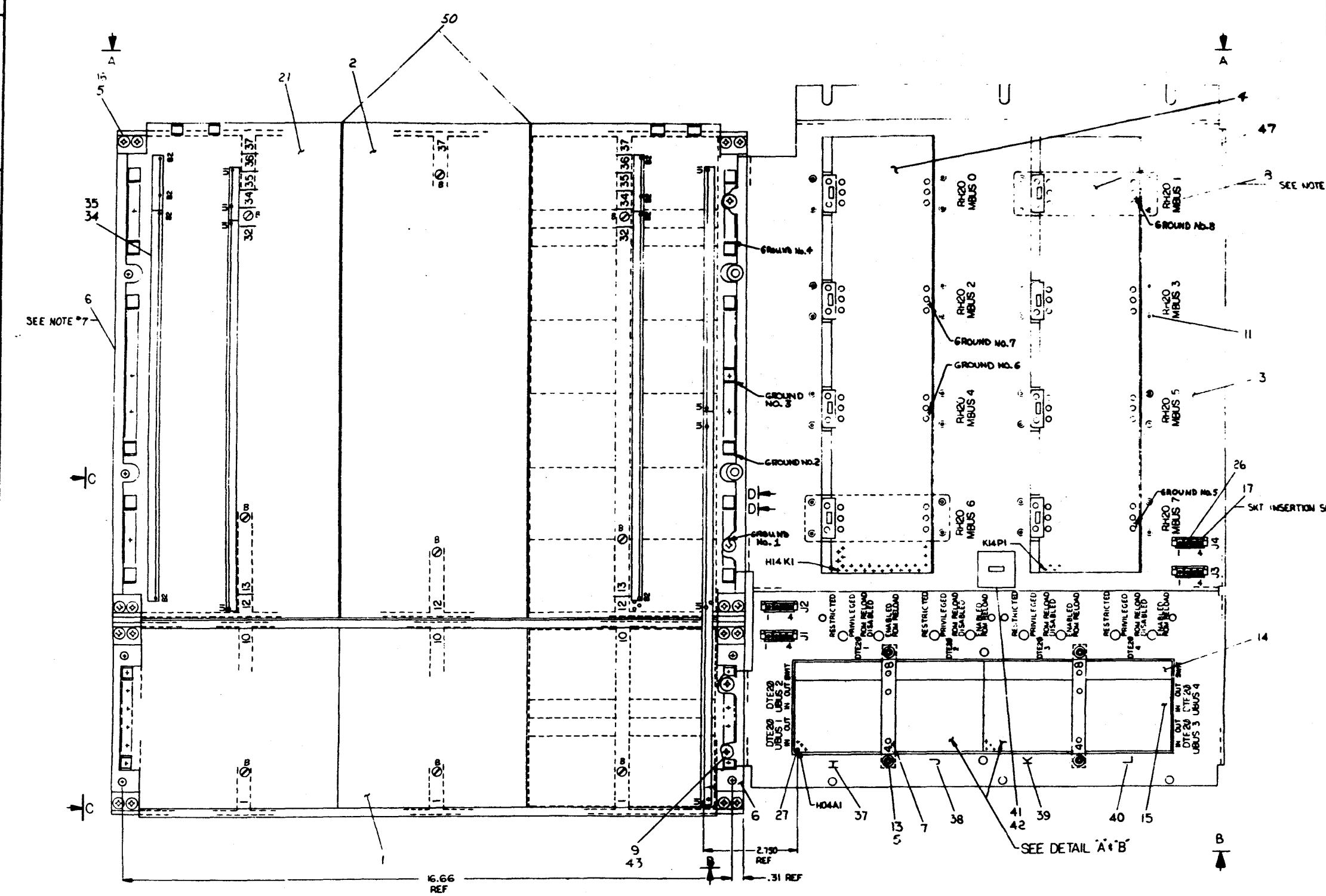
REVISION HISTORY			BASIC PART NO: 7012278		DRN: V. SOUZA		DATE: 29-DEC-75		DIGITAL	
ENGI	ECO NUMBER	REV	SECTION A OF A	CHK'D:	DATE:	TITLE	PARTS LIST			
JT	7012278-MR004	E	SECTION. VARIATION INDEX	V. SOUZA	2-FEB-76	RH20/DTE20 LOGIC ASSY				
			[A] 00							
			[B]	DES.ENG.: W. CARBONELL	6-FEB-76					
			[C]	RESP.ENG.: V. CARBONELL	6-FEB-76					
			[D]							
			[E]	MPG.ENG.: R. J'BRIAN	6-FEB-76					
			[F]							
				ASSEMBLY NUMBER:	TOP DOCUMENT NUMBER:	FILE NAME:	EDIT #			
				E-AD-7012278-0-0	D-UA-KL10-C-0	Z4132E.PLS	11			

"THIS DRAWING AND SPECIFICATIONS HEREIN, ARE THE PROPERTY OF DIGITAL EQUIPMENT CORPORATION AND SHALL NOT BE REPRODUCED OR COPIED OR USED IN WHOLE OR IN PART AS THE BASIS FOR THE MANUFACTURE OR SALE OF ITEMS WITHOUT WRITTEN PERMISSION. COPYRIGHT (C) 1982. DIGITAL EQUIPMENT CORPORATION"

DO NOT SCALE DRAWING

NOTES:

1. AFTER WIRE WRAP REMOVE #32-62 POSI DRIVE SCREW AND ADD ITEM #40 AND REPLACE SCREW WITH ITEM #8 #25.
2. TRIM ITEM #22 (GROUND PLANE) PER DETAIL "A".
3. TRIM ITEM #49 (GROUND PLANE PROTECTION SMT) PER DETAIL "B".
4. FOR N.C. WIRE WRAP USE PALLET 96040-00-00.
5. INSTALL ITEM #35 (SHIELD) TO FASTON TABS AS SHOWN IN VIEW D-D TO 16 FASTON TABS ON BOTTOM EDGE OF BOARD ONLY.
6. LOCATE DECALS (ITEM #8) WHERE SHOWN NEAR SIDE AND FAR SIDE.
7. USE REV 'A' OR HIGHER TOP AND BOTTOM BAR (ITEM #6).
8. ADD STANDOFFS ITEM #51 BEFORE WIRE WRAP AND ADD SCREWS ITEM #52 IN 8 PLACES BEFORE AWT TEST.
9. AFTER INSTALLING 18 AWG TWP TO PIN, SOLDER THEM IN PLACE (CAP REF JULY).



SEE NOTE #7

SEE NOTE 6

SEE DETAIL A-A-B

CAUTION:
OFF SHEETS PARTS LIST EXISTS
SEE A PL-7009429-0-0

PARTS LIST		DESCRIPTION		PART NO.	
1	WIRE ASSY	RH20 - DTE20			
2
3
4
5
6
7
8
9
10
11
12
13
14
15
16
17
18
19
20
21
22
23
24
25
26
27
28
29
30
31
32
33
34
35
36
37
38
39
40
41
42
43
44
45
46
47
48
49
50
51
52
53
54
55
56
57
58
59
60
61
62
63
64
65
66
67
68
69
70
71
72
73
74
75
76
77
78
79
80
81
82
83
84
85
86
87
88
89
90
91
92
93
94
95
96
97
98
99
100

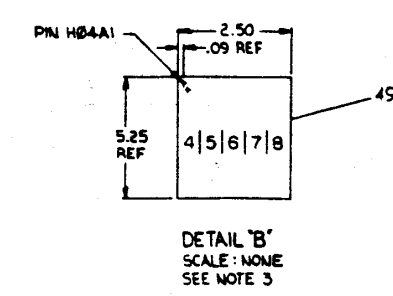
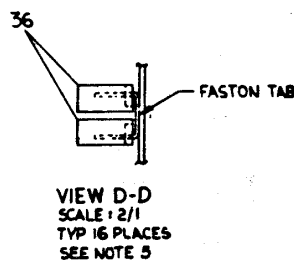
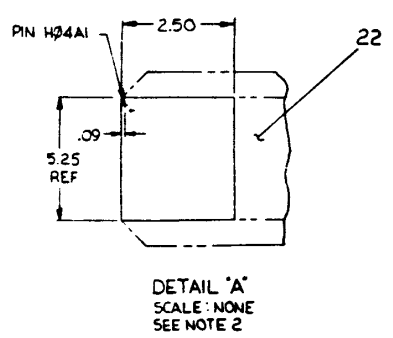
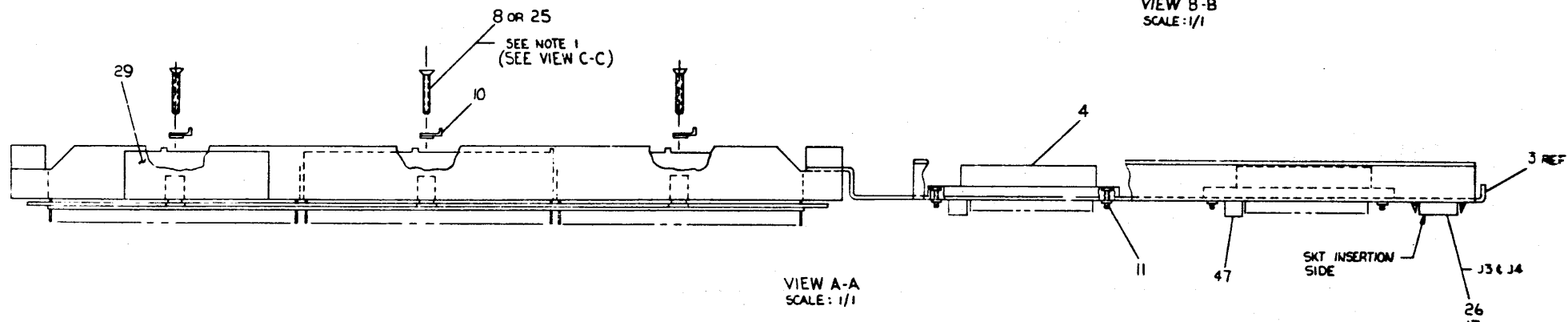
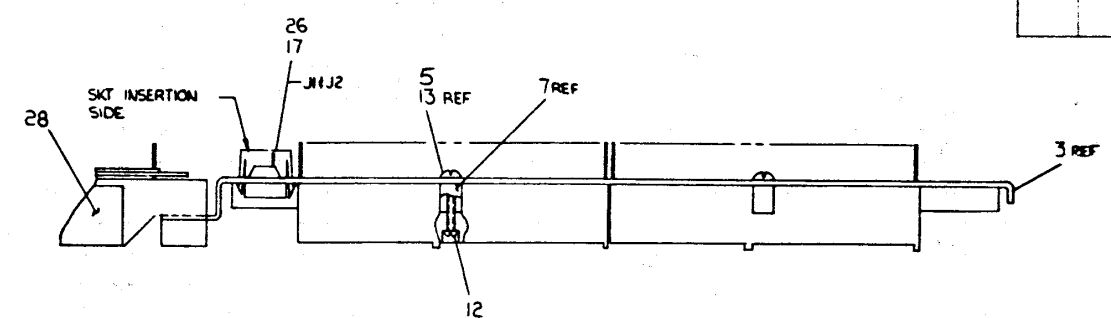
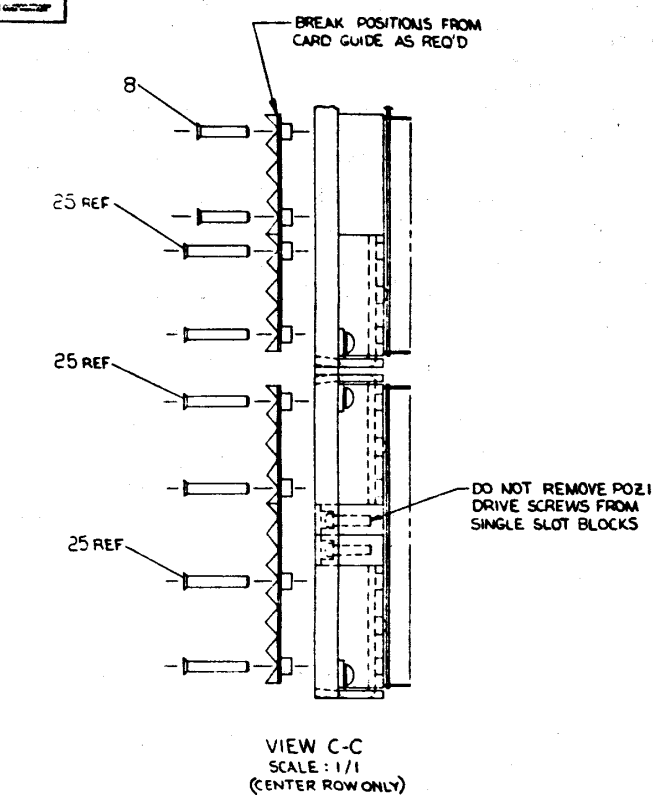
PL-7009429-0-0

PL-7009429-0-0

DO NOT SCALE DRAWING

WIRE TABLE							
ITEM NO.	AVG	COLOR	CONN	WITH	CONN	WITH	REMARKS
33	18	RED	J1-1	ITEM 26	2E0811	ITEM 25	GND
32	TWP	BLK	J1-2		2E0812		SIGNAL
		WHT	J1-3		2E0811		GND
		RED	J1-4		2E0811		GND
33		BLK	J2-1		2E0811		GND
		WHT	J2-2		2E0812		SIGNAL
32		BLK	J2-3		2E0811		GND
		WHT	J2-4		2E0811		GND
33		RED	J3-1		2E0811		GND
		BLK	J3-2		2E0812		SIGNAL
32		WHT	J3-3		2E0811		GND
		BLK	J3-4		2E0812		SIGNAL
33		RED	J4-1		2E0811		GND
		BLK	J4-2		2E0812		SIGNAL
32	16	WHT	J4-3		2E0811		GND
	TWP	BLK	J4-4	ITEM 26	2E0811	ITEM 25	GND
45	18	BLK	GND-1	SOLDER	GND-5	ITEM 44	GND
45	18	BLK	GND-2	SOLDER	GND-6	ITEM 44	GND
45	18	BLK	GND-3	SOLDER	GND-7	ITEM 44	GND
45	18	BLK	GND-4	SOLDER	GND-8	ITEM 44	GND

P.O. PIN CHART			
PIN	PIN	PIN	PIN
24A2	24A2	24A2	24A2
24B2	24B2	24B2	24B2
24C2	24C2	24C2	24C2
24D1	24D1	24D1	24D1
24E1	24E1	24E1	24E1
24F1	24F1	24F1	24F1
24G1	24G1	24G1	24G1
24H1	24H1	24H1	24H1
24I1	24I1	24I1	24I1
24J1	24J1	24J1	24J1
24K1	24K1	24K1	24K1
24L1	24L1	24L1	24L1
24M1	24M1	24M1	24M1
24N1	24N1	24N1	24N1
24O1	24O1	24O1	24O1
24P1	24P1	24P1	24P1
24Q1	24Q1	24Q1	24Q1
24R1	24R1	24R1	24R1
24S1	24S1	24S1	24S1
24T1	24T1	24T1	24T1
24U1	24U1	24U1	24U1
24V1	24V1	24V1	24V1
24W1	24W1	24W1	24W1
24X1	24X1	24X1	24X1
24Y1	24Y1	24Y1	24Y1
24Z1	24Z1	24Z1	24Z1
24A2	24A2	24A2	24A2
24B2	24B2	24B2	24B2
24C2	24C2	24C2	24C2
24D2	24D2	24D2	24D2
24E2	24E2	24E2	24E2
24F2	24F2	24F2	24F2
24G2	24G2	24G2	24G2
24H2	24H2	24H2	24H2
24I2	24I2	24I2	24I2
24J2	24J2	24J2	24J2
24K2	24K2	24K2	24K2
24L2	24L2	24L2	24L2
24M2	24M2	24M2	24M2
24N2	24N2	24N2	24N2
24O2	24O2	24O2	24O2
24P2	24P2	24P2	24P2
24Q2	24Q2	24Q2	24Q2
24R2	24R2	24R2	24R2
24S2	24S2	24S2	24S2
24T2	24T2	24T2	24T2
24U2	24U2	24U2	24U2
24V2	24V2	24V2	24V2
24W2	24W2	24W2	24W2
24X2	24X2	24X2	24X2
24Y2	24Y2	24Y2	24Y2
24Z2	24Z2	24Z2	24Z2



REV	DATE	BY	CHKD

TITLE: FEED ASSY
 PART: F-23-DTF22
 SCALE: 1:1
 DRAWING NO: 7009429-0-0
 REV: F
 MR

DIGITAL EQUIPMENT CORPORATION MAYNARD, MASSACHUSETTS			QUANTITY/VARIATION											
PARTS LIST														
MADE BY	V. SOUZA	CHECKED	SECTION											
DATE	2/28/75	DATE	3-24-75											
ENG	Louis J. Carpenter	PROD	ISSUED SECT.											
DATE	3-24-75	DATE	3-24-75											
ITEM NO.	DWG NO. / PART NO.	DESCRIPTION												
23	9107302-10	TUBING THIN WALL	AR											
24	9009139	TERMINAL	16											
25	9009665-2	SCR PHL #5 FLAT HD #8-32 X 1.03	32											
26	1209379-02	PIN TERMINAL CONTACT	16											
27	9008499	SOLDER PREFORMS	172											
28	A-DC-7411881-01	DECAL LOGIC ASSY REVISION	1											
29	9009255	LABEL ADHESIVE BACK	1											
30	9107720-09	WIRE INS TWP #30 AWG (BLK/WHT)	AR											
31	9105740-44	WIRE INS SOLID #30 AWG (YEL)	AR											
32	9107430-09	WIRE #18 AWG STRD TWP (BLK/WHT)	AR											
33	9107430-02	WIRE #18 AWG STRD TWP (RED/BLK)	AR											
34	C-MD-7408967-3-0	STRIP INSULATOR	6											
35	9008428	BUS STRIP	AR											
36	9009754	SHIELD WIRE	20											
37	B-DC-5308753-13-0	DECAL 21 POINT LTR (H)	1											
38	B-DC-5308753-15-0	DECAL 21 POINT LTR (J)	1											
39	B-DC-5308753-17-0	DECAL 21 POINT LTR (K)	1											
40	B-DC-5308753-19-0	DECAL 21 POINT LTR (L)	1											
41	9008264	MOUNT, CABLE TIE	1											
42	9007880	CABLE TIE	1											
43	9006635	WASHER, LOCK INT TOOTH #10	4											
44	9107720-69	WIRE, INS TWP #30 AWG (BLU/WHT)	AR											
TITLE	WIRED ASSY RH20/DTE20	ASSY NO. E-AD-7009429-0-0	SIZE A	CODE PL	NUMBER 7009429-0-0	REV. F	ECO NO.							
SHEET 2 OF 3		DIST.												

DEC FORM DEC 16-(325)-1031-N870
DRA 110

MR

DIGITAL EQUIPMENT CORPORATION MAYNARD, MASSACHUSETTS			QUANTITY/VARIATION											
PARTS LIST														
MADE BY	V. SOUZA	CHECKED	SECTION											
DATE	2-28-75	DATE	3-29-75											
ENG	Louis J. Carpenter	PROD	ISSUED SECT.											
DATE	3/31/75	DATE	3-31-75											
ITEM NO.	DWG NO. / PART NO.	DESCRIPTION												
45	9107360-00	WIRE 18 AWG STRANDED (BLK)	A/R											
46	9007970	TERMINAL QUICK CONNECT	4											
47	D-IA-7010211-2-0	CONN ASSY MASSBUS	1											
48	D-WT-KL10-0-AWT3	RH/DTE ASSY PROCEDURE	REF											
49	D-IA-5009936-0-C	GROUND PLANE PROTECTION SHEET	2											
50	9009647	TAPE TRANSPARENT .25W	A/R											
51	9009120-04	STANDOFF NO.6 X.500 LG. BRASS	9											
52	9006024-01	SCR. PHL. PAN HD. 6-32 X 1/2	9											
53	A-SP-3700218-00	PACKAGING INSTRUCTIONS	REF											
TITLE	WIRED ASSY RH20/DTE20	ASSY NO. E-AD-7009429-0-0	SIZE A	CODE PL	NUMBER 7009429-0-0	REV. F	ECO NO.							
SHEET 3 OF 3		DIST.												

DEC FORM DEC 16-(325)-1031-N870
DRA 110

MR

DIGITAL EQUIPMENT CORPORATION MAYNARD, MASSACHUSETTS			QUANTITY/VARIATION											
PARTS LIST														
MADE BY	V. SOUZA	CHECKED	SECTION											
DATE	2/28/75	DATE	3-24-75											
ENG	Louis J. Carpenter	PROD	ISSUED SECT.											
DATE	3-24-75	DATE	3-24-75											
ITEM NO.	DWG NO. / PART NO.	DESCRIPTION												
1	E-AD-7010088-2-0	BACKPLANE ASSY DTE20	1											
2	E-AD-7009431-0-0	BACKPLANE ASSY RH20	1											
3	E-IA-7411997-0-0	CONN PANEL I/O	1											
4	D-IA-7010211-1-0	CONN ASSY MASSBUS	1											
5	9006634	WASHER LOCK INT TOOTH #8	20											
6	D-MD-7411998-0-0	BAR BACKPLANE TOP & BOT	2											
7	C-MD-7412121-0-0	BAR CONN PANEL	2											
8	9009070-00	SCR PHL FLAT PD #8-32 X .81	24											
9	9006071-1	SCR PHL PAN HD #10-32 X .375	4											
10	1210698	CARD GUIDE	24											
11	9006390-6	SCR SLOTTED FIL HD #4-40 X .38	32											
12	9006120-6	SCR FIL HD POZ1 DRIVE #8-32 X .62	6											
13	9006039-1	SCR PHL PAN HD #8-32 X .50	4											
14	1211425	CONN BLOCK 72 PIN	2											
15	1210258	CONN BLOCK 288 PIN (H863)	2											
16	9006037-1	SCR PHL PAN HD #8-32 X .38	16											
17	1209350-04	CONN SKT HSG 4 PIN	4											
18	A-DC-7413453-0-0	DECAL DTE/RH20 I/O	2											
19	K-WL-KL10-0-PF	WIRE LIST	REF											
20	A-WT-7009429-0	AWT REVISION STATUS SHEET	REF											
21	D-IA-5009956	GROUND PLANE PROTECTION SHEET	3											
22	D-IA-5009785-03	GROUND PLANE	1											
TITLE	WIRED ASSY RH20/DTE20	ASSY NO. E-AD-7009429-0-0	SIZE A	CODE PL	NUMBER 7009429-0-0	REV. F	ECO NO. 7010021MRO03							
SHEET 1 OF 3		DIST.												

DEC FORM DEC 16-(325)-1031-N870

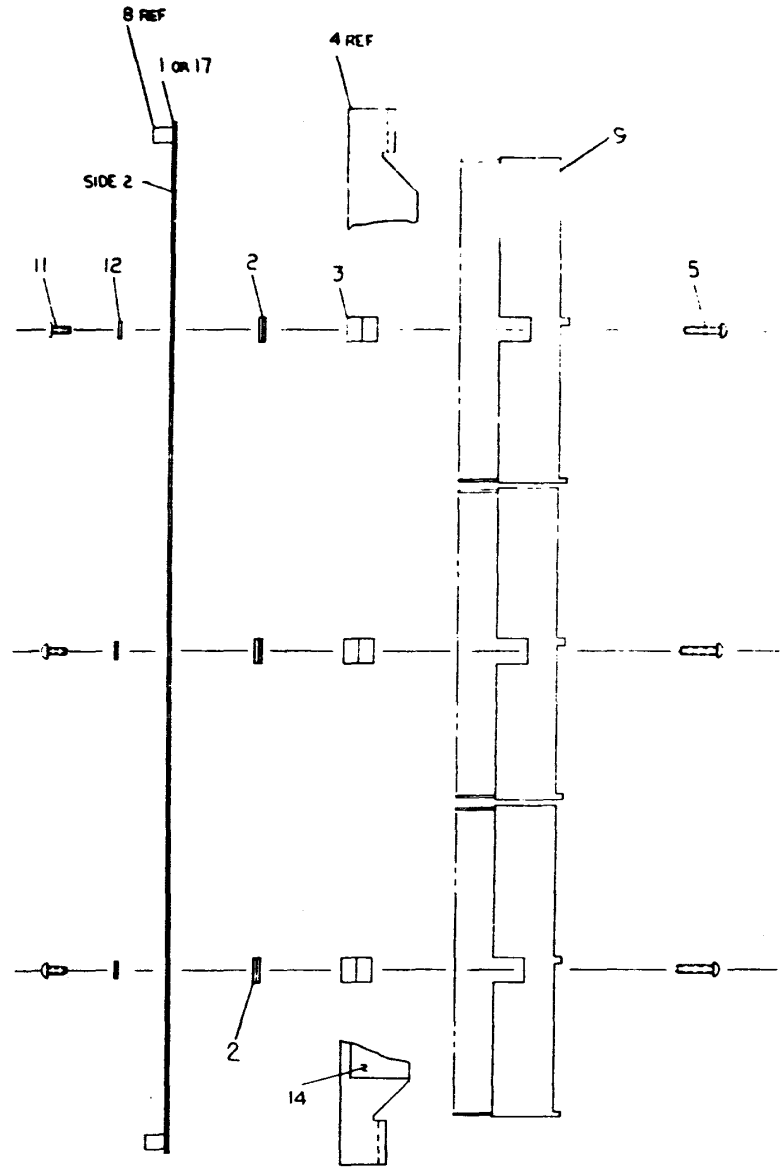
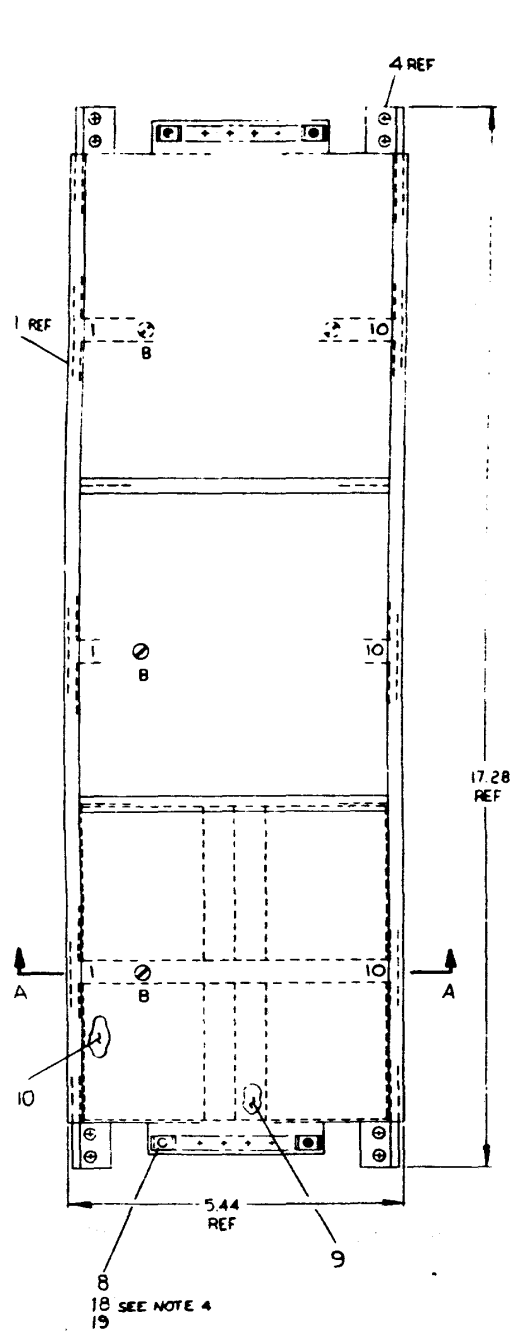
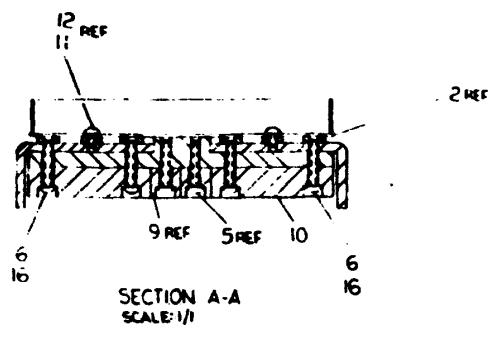
DIGITAL EQUIP CORP
 EQUIPMENT DIV

DRAWING SCALE 4:1

LEGEND

NUMBER	VARIATION
7010088-1	SINGLE DTE 20
7010088-2	FOUR DTE 20'S

- NOTES:
- CUT 1/16" DIA GROUNDS FROM DETAILS AT GROUND PLANE PROTECTION SHEETS AND RE-DRILL TOGETHER AS SHOWN IN THIS DRAWING.
 - FOR ASSY AID REFER TO PROCESS SHEET A-SP-KL10-SPS.
 - BEFORE ASSY OF ITEM #1 (BOARD) REWORK PER D-UA-541508-00REV 3, ALSO FOR ITEM #17 (BOARD) REWORK PER D-UA-541508-0-0 REV 8.
 - USE ITEM #2 ON TOP TABS ONLY.
 - REMOVE ITEM #6 QTY 3 AFTER MORGING IN ASSY 7009425 B PLACES.



QTY	DESCRIPTION	PART NO	REV
12	EYELET	9009000	20
18	SHIELD WIRE	9009754	19
6	TERMINAL QUICK CONNECT	9008819	18
1	ETCH CIRCUIT BOARD	5011305	17
12	WASHER, LOCK #8	9006690	16
1	LABEL, ADHESIVE BACK	9009255	16
6	WASHER, LOCK INT TOOTH #6	9006633	15
6	SCR, SLOTTED BAND HD #3-31	9008021-4	14
6	288 PIN CONN BLOCK (H63)	E-SC-12258-0	10
6	72 PIN CONN BLOCK	D-PS-21425-0	9
6	FASTON TAB	9007113	8
12	SCR, PHL TPL HD #3-21	9009664-6	6
6	SCR, FIL HD PDD DRIVE #3-21	9008020-6	5
2	BRACKET, I.C. FRAME	D-VA-7129000	4
3	BAZ, BACK PLANE	C-VA-711348-3	3
6	SPACER, BACK PLANE	E-VA-711389-5	2
6	ETCH CIRCUIT BOARD	5011305	1

CLMUTY / VARIATION

KL10

EQUIPMENT CORPORATION

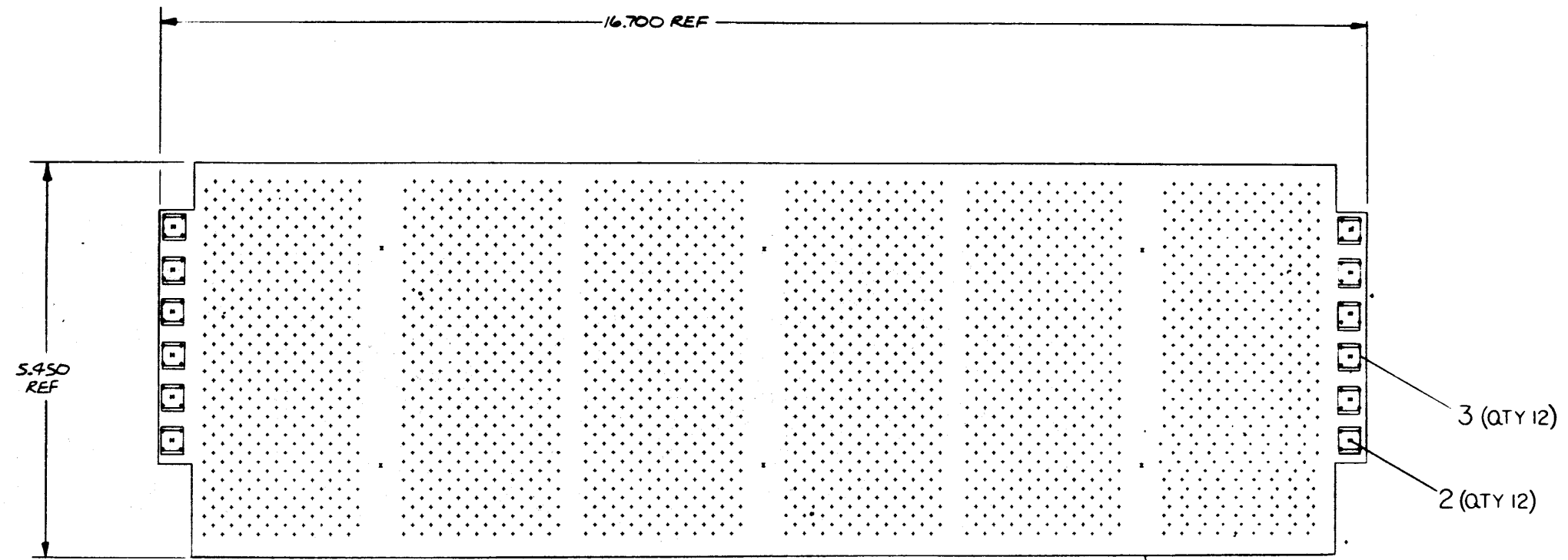
BACKPLANE ASSY
DTE 20

REV AD 7010088-0-0

SEE PARTS LIST

THIS DRAWING AND SPECIFICATIONS HEREIN ARE THE PROPERTY OF DIGITAL EQUIPMENT CORPORATION AND SHALL NOT BE REPRODUCED OR COPIED OR USED IN WHOLE OR IN PART AS THE BASIS FOR THE MANUFACTURE OR SALE OF ITEMS WITHOUT WRITTEN PERMISSION.
 © 1975 DIGITAL EQUIPMENT CORPORATION

DUA 5411306-0-0 2



REVISIONS		
CHK	CHANGE NO	REV

TITLE	DTE 20 BACKPLANE	SIZE CODE	D UA 5411306-0-0	NUMBER	0-0	REV	
SCALE	1:1	SHEET	2	OF	4	DIST	

8 7 6 5 4 3 2 1

DUA 5411306-C-0

THE DIMENSIONS AND SPECIFICATIONS SHOWN ARE THE PROPERTY OF DIGITAL EQUIPMENT CORPORATION AND SHALL NOT BE REPRODUCED OR COPIED OR USED IN ANY MANNER WITHOUT THE WRITTEN PERMISSION OF DIGITAL EQUIPMENT CORPORATION.

D

D

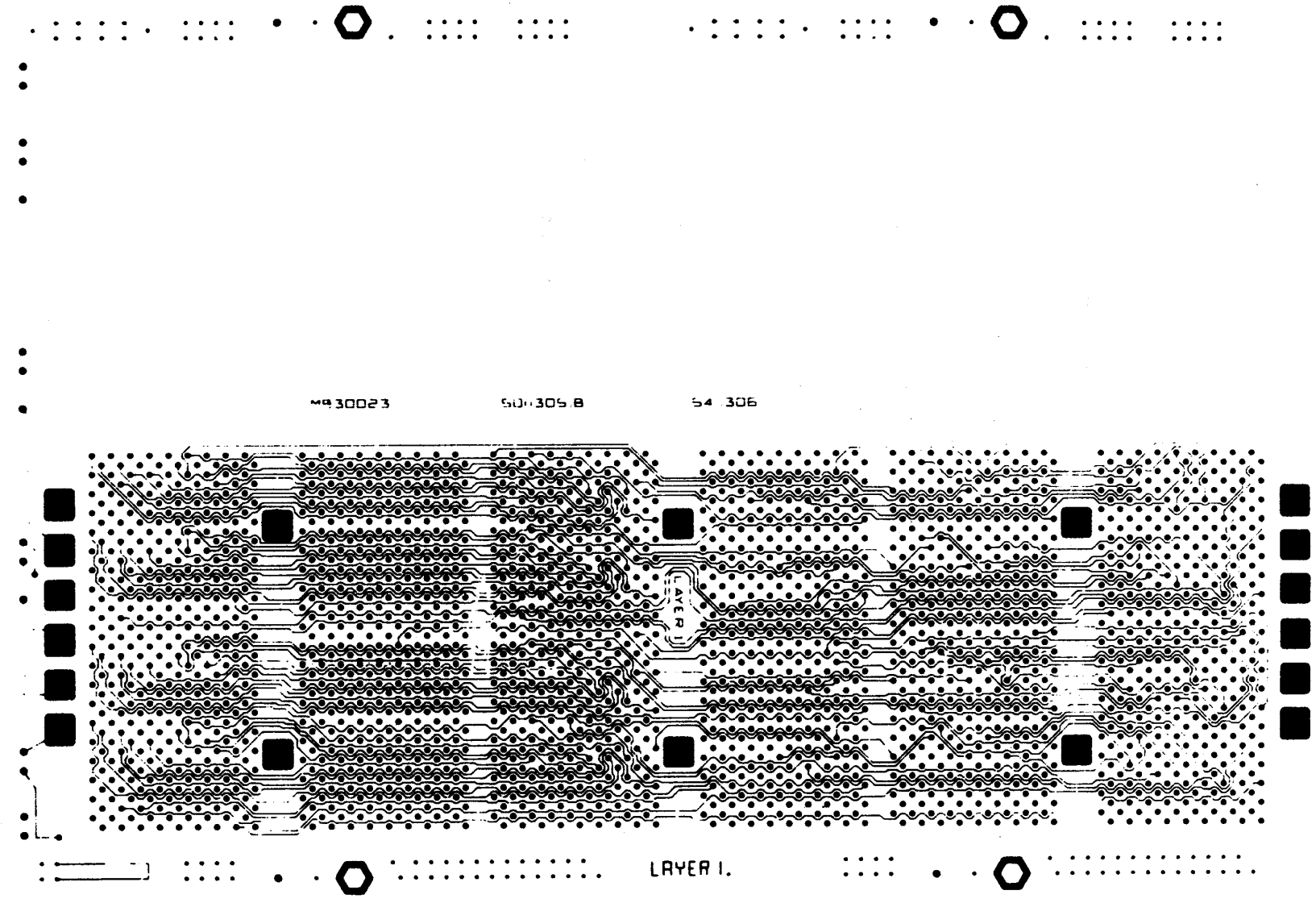
C

C

B

B

A



DJA 541306-0-0

REV	DATE	BY

TITLE	DTE 20 BACKPLANE	SIZE/JOE	D JA	NUMBER	5411306-0-0	NO.	
SCALE	1:1	SHEET	3	OF	4	DIST	

8

7

6

5

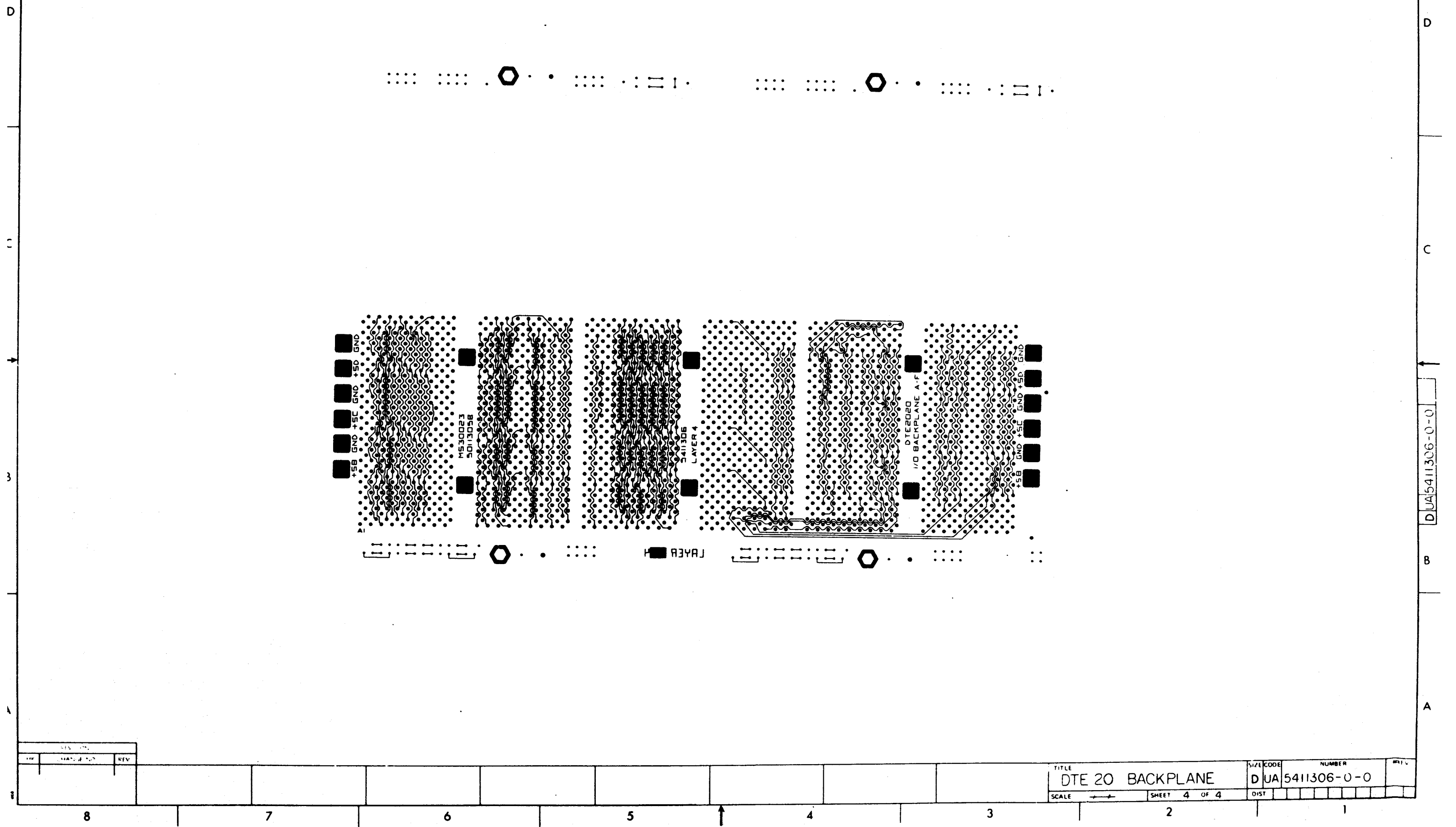
4

3

2

1

ALL DIMENSIONS AND SPECIFICATIONS HEREIN ARE THE PROPERTY OF DIGITAL EQUIPMENT CORPORATION AND SHALL NOT BE REPRODUCED OR COPIED OR USED IN WHOLE OR IN PART AS THE BASIS FOR THE MANUFACTURE OF ANY PRODUCT WITHOUT WRITTEN PERMISSION FROM DIGITAL EQUIPMENT CORPORATION.



REV	DATE	BY

TITLE	DTE 20 BACKPLANE	SIZE CODE	DUA	NUMBER	5411306-0-0	REV	
SCALE		SHEET	4	OF	4	DIST	

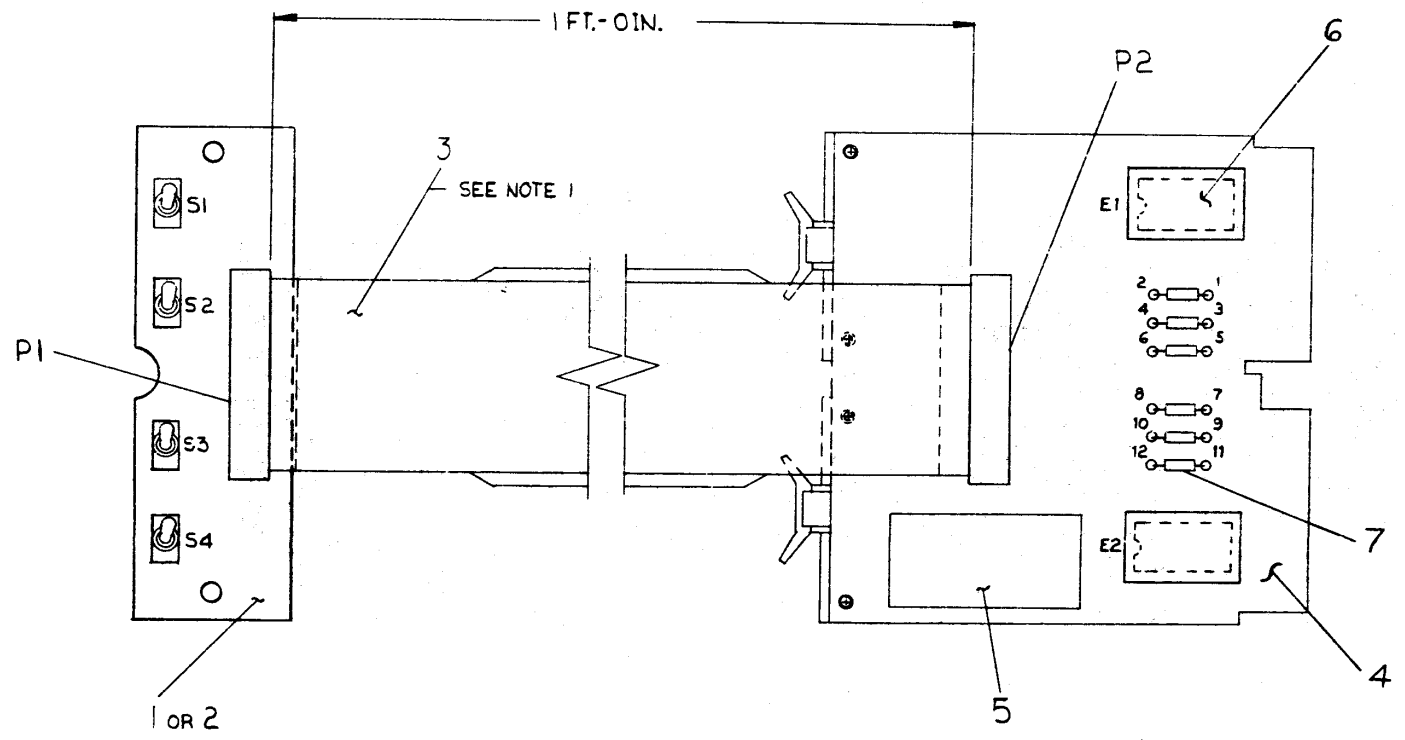
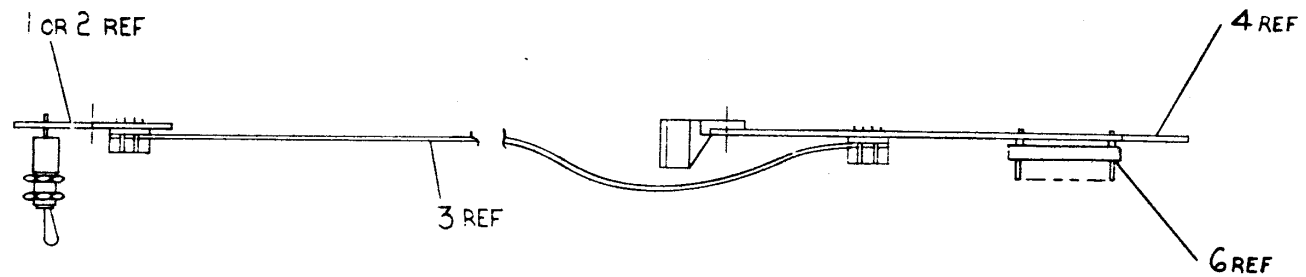
"THIS DRAWING AND SPECIFICATIONS HEREIN ARE THE PROPERTY OF DIGITAL EQUIPMENT CORPORATION AND SHALL NOT BE REPRODUCED OR COPIED OR USED IN WHOLE OR IN PART AS THE BASIS FOR THE MANUFACTURE OR SALE OF ITEMS WITHOUT WRITTEN PERMISSION. COPYRIGHT © 1974, DIGITAL EQUIPMENT CORPORATION"

DO NOT SCALE DRAWING

LEGEND	
NUMBER	VARIATION
7010103-1	1 SWITCH
7010103-2	4 SWITCH

NOTES:

- CONNECTORS P1 AND P2 TO BE WIRED POINT TO POINT (P1 TO P2)
- 7010103-1 USES ONLY 1 SWITCH (S2) AND 7010103-2 USES ALL 4 SWITCHES (S1 THRU S4)
- TRIM AND PREPARE CABLE PER CABLE PROCESS SHEET A-SP-7606485-00
- TO INSTALL CABLE USE COVER OF CONN. 1210073 (FROM SW. BOARD ASSY REF).
- SOLDER JUMPERS ITEM 7 TO TERMINALS AS SHOWN.
- ITEM 6 IS NOT INSTALLED IN E2 WHEN BUILDING 7010103-1.



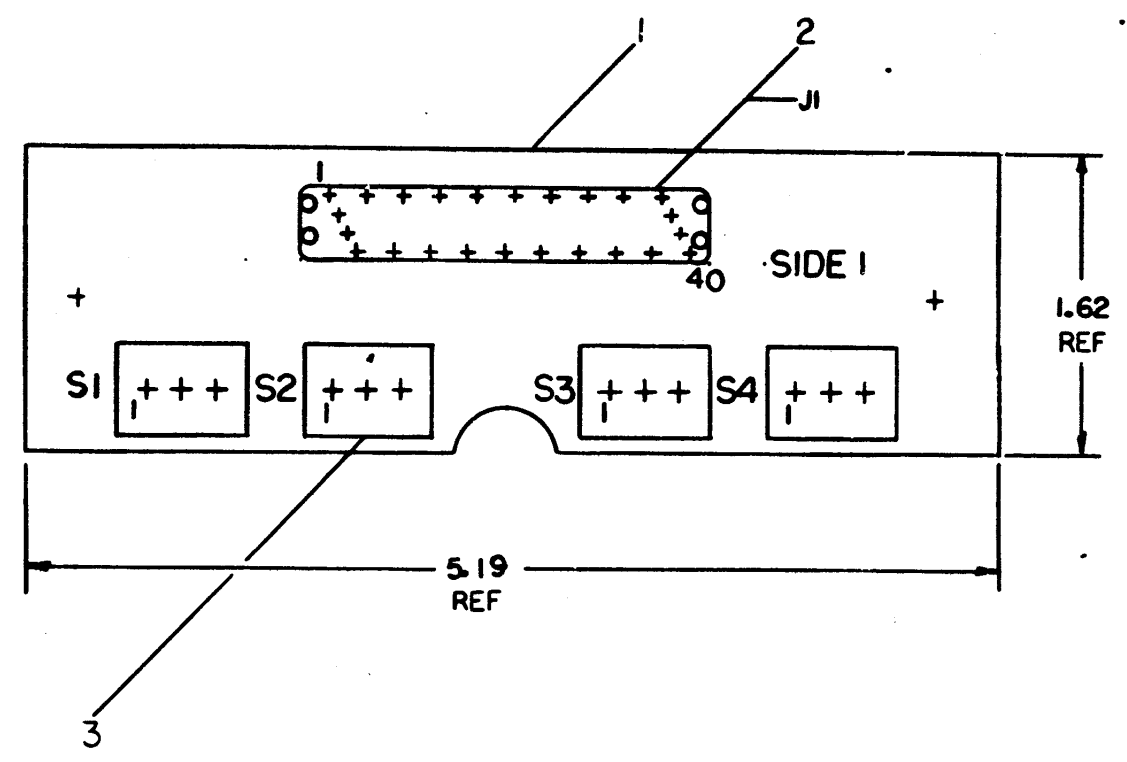
QTY.	DESCRIPTION	PART NO.	ITEM NO.
6	JUMPER, WHITE INS.	90C9185-00	7
2	PLUG, PRIORITY	C-IA-5408780-0-0	6
1	LABEL, ADHESIVE BACK	9009255	5
1	JUMPER, INTERRUPT (DTE20)	D-UA-M8564-0-0	4
A/R	CABLE, RIBBON, 40 COND.	9107747-01	3
1	SWITCH BOARD	D-UA-5411360-0-0	2
-	SWITCH BOARD	D-UA-5411360-YA-0	1

QUANTITY VARIATION		QTY.	DESCRIPTION	PART NO.	ITEM NO.									
FIRST USED ON OPTION/MODEL														
KLIØ														
DIMENSIONAL TOLERANCE		PARTS LIST												
DIMENSIONS ARE UNLESS OTHERWISE SPECIFIED		<table border="1"> <tr> <td>DRN.</td> <td>DATE</td> <td rowspan="4"> </td> </tr> <tr> <td>CHK'D.</td> <td>DATE</td> </tr> <tr> <td>ENG.</td> <td>DATE</td> </tr> <tr> <td>PROJ. ENG.</td> <td>DATE</td> </tr> </table>				DRN.	DATE		CHK'D.	DATE	ENG.	DATE	PROJ. ENG.	DATE
DRN.	DATE													
CHK'D.	DATE													
ENG.	DATE													
PROJ. ENG.	DATE													
MILLIMETERS	INCHES	ANGLES	TITLE	SWITCH ASSY.										
X,XX ±0.10	XXX ±.005	45° 30'												
X.X ±0.5	XX ±.02													
X ±.2	X ±.1													
THIRD ANGLE PROJECTION	REMOVE BURRS AND BREAK SHARP CORNERS SURFACE QUALITY	NEXT HIGHER ASSY.												
MATERIAL	SEE PARTS LIST	D-UA-KLIØ-Ø-Ø	SIZE CODE	NUMBER	REV.									
FINISH			DAD	7010103-0-0	C									
		SCALE												
		SHEET	OF											

REV.	CHANGE NO.	DATE	BY	CHK'D.
A	00001		J. PROVIDENT	
B	00002		J. PROVIDENT	
C	00003		W. BRUCKETT	

THIS DRAWING AND SPECIFICATIONS HEREON ARE THE PROPERTY OF DIGITAL EQUIPMENT CORPORATION AND SHALL NOT BE REPRODUCED OR COPIED OR USED IN WHOLE OR IN PART AS THE BASIS FOR THE MANUFACTURE OR SALE OF ITEMS WITHOUT WRITTEN PERMISSION. COPYRIGHT © 1976, DIGITAL EQUIPMENT CORPORATION.

0-0-0951165 MID 2



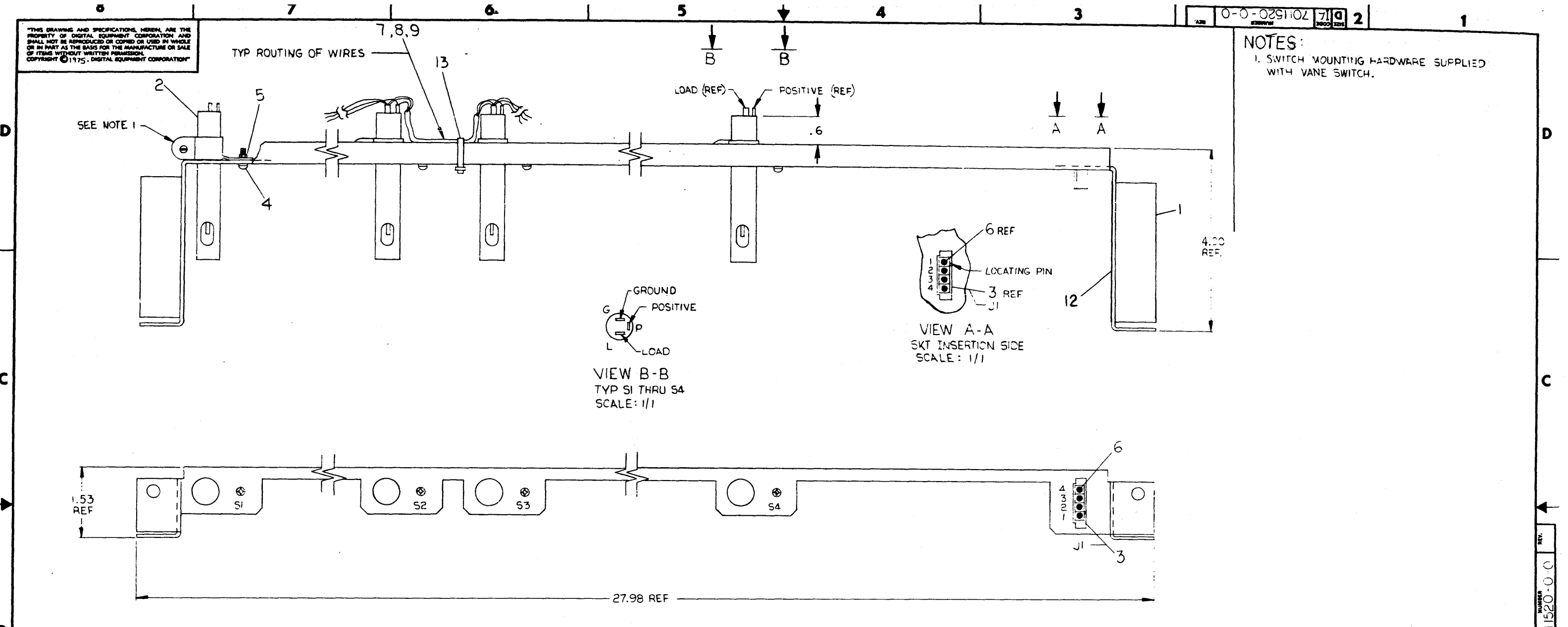
(SIDE 1)

REVISIONS		
CHK	CHANGE NO	REV

TITLE	MASTER INTERRUPT SWITCH BD	SIZE CODE	D UA	NUMBER	5411360-0-0	REV.	
SCALE		SHEET 2	OF 4	DIST.			

DUA 5411360-0-0

"THIS DRAWING AND SPECIFICATIONS HEREIN ARE THE PROPERTY OF DIGITAL EQUIPMENT CORPORATION AND SHALL NOT BE REPRODUCED OR COPIED OR USED IN WHOLE OR IN PART AS THE BASIS FOR THE MANUFACTURE OR SALE OF ITEMS WITHOUT WRITTEN PERMISSION. COPYRIGHT © 1975, DIGITAL EQUIPMENT CORPORATION"



NOTES:
1. SWITCH MOUNTING HARDWARE SUPPLIED WITH VANE SWITCH.

WIRE TABLE						
ITEM NO	DESCRIPTION	FROM	TO			
NO	AWG	COLOR	CONN	TERM	CONN	TERM
9	22	BLK	S1-G	10 & 11	S2-G	10 & 11
			S3-G	10 & 11	S4-G	10 & 11
9		BLK	J1-2	6	J1-1	6
8		CRN	S1-P	10 & 11	S2-P	10 & 11
			S3-P	10 & 11	S4-P	10 & 11
8		CRN	J1-3	6		
7		YEL	S1-L	10 & 11	S2-L	10 & 11
			S3-L	10 & 11	S4-L	10 & 11
7	22	YEL	J-4	6		

ITEM NO.	DESCRIPTION	DWG. PART NO.	ITEM NO.
8	CABLE TIES	9007032	13
1	LABEL ADHESIVE BACK	9009255	12
12	SHRINKABLE TUBING	9107305-02	11
12	TERMINAL QUICK CONNECT	9009137-01	10
A/R	WIRE, 22 AWG STRD (BLK)	9107350-00	9
A/R	WIRE, 22 AWG STRD (OPN)	9107350-33	8
A/R	WIRE, 22 AWG STRD (YEL)	9107350-44	7
4	TERMINAL SKT CONTACT	1209379-06	6
4	NUT, KEPS 6-32	9006560	5
4	SCR PH -D PAN 6-32x.38	9006022-1	4
1	CONN SKT HSG 4 PIN	1209350-04	3
4	VANE SWITCH SPST N.O.	1210756	2
1	BRACKET, SWITCH	D-MC-7414328-0-C	1

UNLESS OTHERWISE SPECIFIED DIMENSIONS ARE IN INCHES	
ANGLES 40°-90°	CLASS OF ACCURACY (CHECK ONE)
SURFACE QUALITY IN MICRONS	MEDIUM <input type="checkbox"/> 1.004 1.008 1.012 1.016 1.024 1.028
	PREFERRED <input type="checkbox"/> 1.012 1.016 1.020 1.024 1.028 1.031

THIRD ANGLE PROJECTION

REMOVE BURRS AND BREAK SHARP CORNERS

DO NOT SCALE DWG

MATERIAL SEE PARTS LIST

FINISH

QUANTITY & VARIATION

DRN: M. J. ... 6-16-75

CHK'D: B. ... 6-22-75

ENG. ... 7-19-75

PROJ. ENG. ... 7-23-75

FIRST USED ON KLIO digital

TITLE: VANE SWITCH ASSY.

NUMBER: 7011520-0-0

SCALE: 1/1

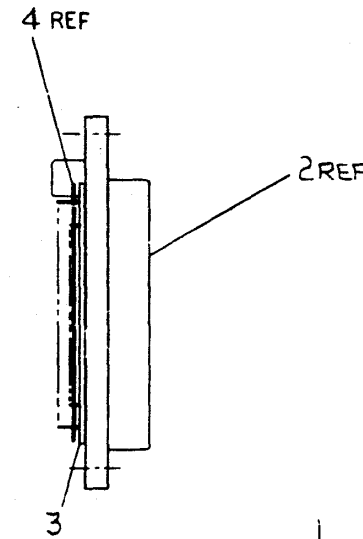
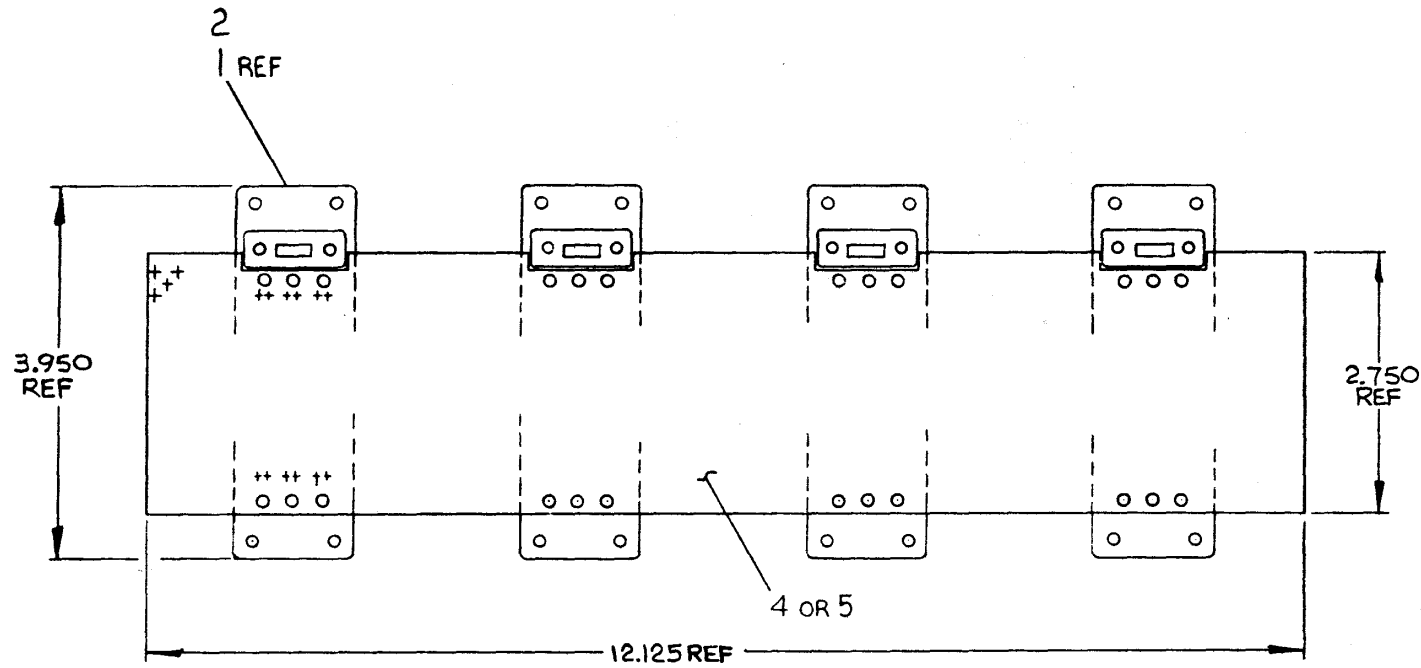
SHEET 1 OF 1

REV. 1
REV. 2
M. J. ... 6-17-75

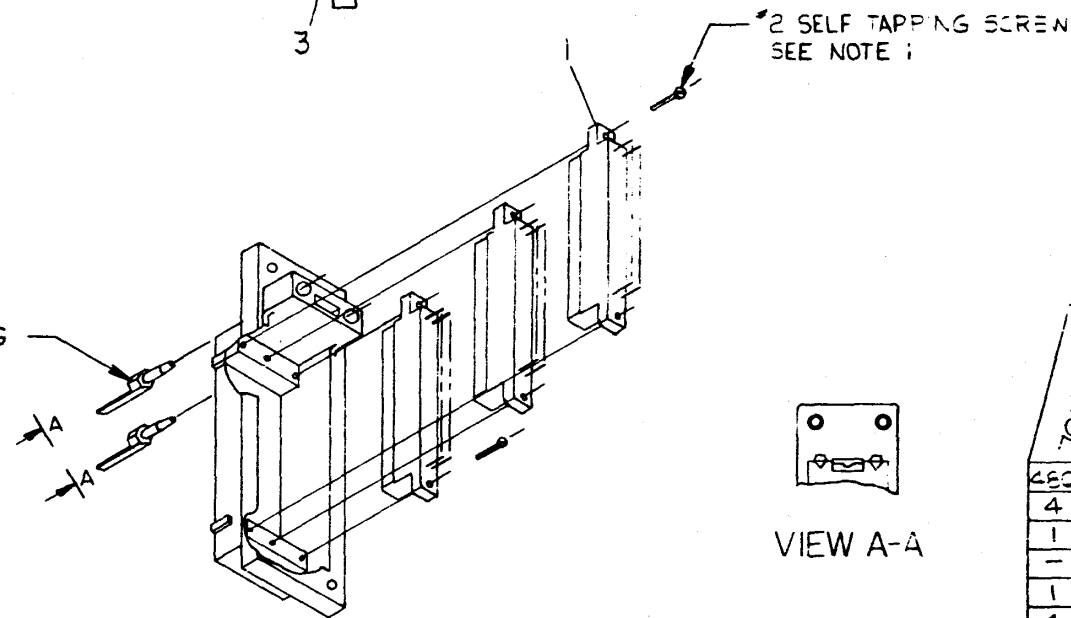
THIS DRAWING AND SPECIFICATIONS HEREIN ARE THE PROPERTY OF DIGITAL EQUIPMENT CORPORATION AND SHALL NOT BE REPRODUCED OR COPIED OR USED IN WHOLE OR IN PART AS THE BASIS FOR THE MANUFACTURE OR SALE OF ITEMS WITHOUT WRITTEN PERMISSION. COPYRIGHT © 1974, DIGITAL EQUIPMENT CORPORATION

NOTES:

1. PLUG KEYING (6) AND #2 SELF TAPPING SCR (6) SUPPLIED WITH ITEM #3. INSTALL AS SHOWN.
2. FOR ASSEMBLY REFER TO PROCESS SPECIFICATION A-SP-KLI0-0-3.
3. BEFORE ASSY OF ITEM #3 (BOARD) INSTALL STAKED PINS (ITEM #7) AND SPLIT LUGS (ITEM #6) PER D-UA-54-070-0-0.



PLUG, KEYING
SEE NOTE 1



RECEPTACLE HOUSING AND MODULE ASSY

QTY.	DESCRIPTION	PART NO.	ITEM NO.
480	PIN, STAKING P.C. 3D	9009149	7
4	SPLIT LUG	9006735	6
1	GND. PLANE PROTECTION SHT	D-IA-5011772-0-0	5
1	GND. PLANE PROTECTION SHT	D-IA-5011666-0-0	4
1	ETCH CIRCUIT BOARD	5011069	3
4	RECEP. HSG KIT P.C. MOUNT	1211591-29	2
12	RECEPTACLE MODULE ASSY	1211591-23	1

FIRST USED ON OPTION/MODEL		QTY.	DESCRIPTION	PART NO.	ITEM NO.
KLI0					
DIMENSIONAL TOLERANCE		DRN.	DATE	digital	
DIMENSIONS ARE INCHES UNLESS OTHERWISE SPECIFIED		CHK'D.	DATE		
MILLIMETERS	INCHES	ANGLES	DATE	TITLE	
XX - ±0.10	XX - ±0.08	20° 30'	DATE		
XX - ±0.5	XX - ±0.02		DATE	CONN ASSY MASS BUS	
X - ±2	X - ±1		DATE		
THIRD ANGLE PROJECTION	REMOVE BURRS AND BREAK SHARP CORNERS SURFACE QUALITY	NEXT HIGHER ASSY.		SIZE CODE	NUMBER
	MATERIAL SEE PARTS LIST	E-AD-7009429-0-0	SCALE 1/1	D IA	7010211-0-0
	FINISH	SHEET 1 OF 1	DIST.		REV. B

REV.	CHANGE NO.	DATE	BY	CHK'D.
A	7010211-00001	4-30-74	J. PROVIDENT	
B	7010211-00002	6-16-75	J. PROVIDENT	

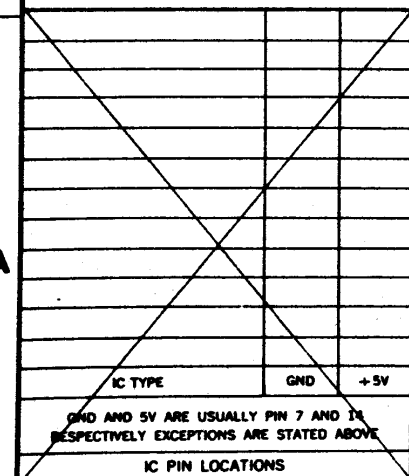
DIA 7010211-0-0

THIS DRAWING AND SPECIFICATIONS, HEREIN, ARE THE PROPERTY OF DIGITAL EQUIPMENT CORPORATION AND SHALL NOT BE REPRODUCED OR COPIED OR USED IN WHOLE OR IN PART AS THE BASIS FOR THE MANUFACTURE OR SALE OF ITEMS WITHOUT WRITTEN PERMISSION.
 COPYRIGHT © 1975 DIGITAL EQUIPMENT CORPORATION

NOTES: FOR DRAWING DIRECTORY REFER TO B-DD-5411070-0.

8 0-0-0/01175 40 2 MR 1

4	ETCH CIRCUIT BOARD	5011069	1
480	SPLIT LUGS	9006735	2
	PIN STAKING P.C. BOARD	9009149	3



QTY	REF. DESIGNATION	DESCRIPTION	PART NO.	ITEM NO.
	KL10	ETCH BOARD REV.		

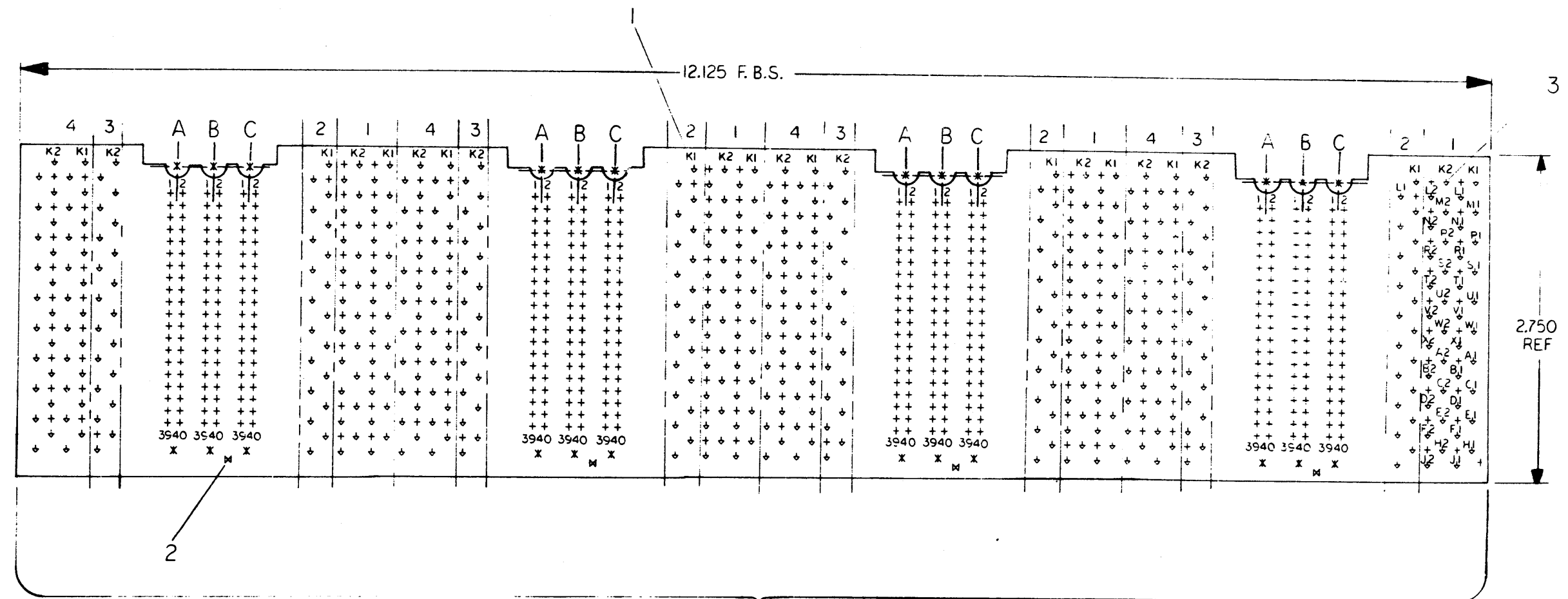
FIRST USED ON OPTION MODEL		PARTS LIST	
DRN.	D.E. OLSON	DATE	2-25-75
CHK'D.	P.J. LEBLANC	DATE	2-25-75
ENG.	CARPENITO	DATE	2-25-75
PROJ. ENG.	CARPENITO	DATE	2-25-75
PROD.	J. ARTHUR	DATE	2-25-75
NEXT HIGHER ASSY			
B-DD-5411070-0			
SCALE	++	SIZE CODE	D UA
SHEET	1 OF 4	DIST.	

TITLE		digital	
RH20 MASSBUS		TRANSITION	
SIZE CODE	D UA	NUMBER	5411070-0-0
REV.	B		

CHK	CHANGE NO.	REV.
		A
		B

SEMICONDUCTOR CONVERSION CHART

AND TO THE...
 1978



THESE ARE STEP AND REPEAT CIRCUITS NUMBER 1,2,3,4
 DO NOT INDICATE LOGIC SLOTS

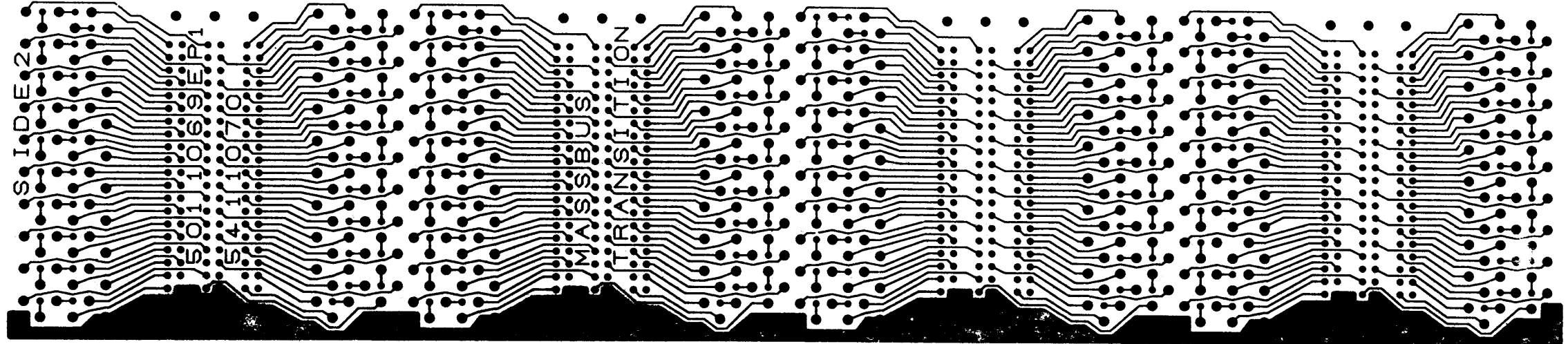
SIDE 1

- ↓ INDICATES ITEM 3
- ⊗ INDICATES ITEM 2

D. E. OLSON 2-25-75	RH20	digital
P. J. LEBLANC 2-25-75	RH20 MASSBUS TRANSITION	
CARPENITO 2-25-75		
CARPENITO		
J. ARTHUR 2-25-75		
B-DD-5411070-0	UA	5411070-0-0 B
2/1	2	4

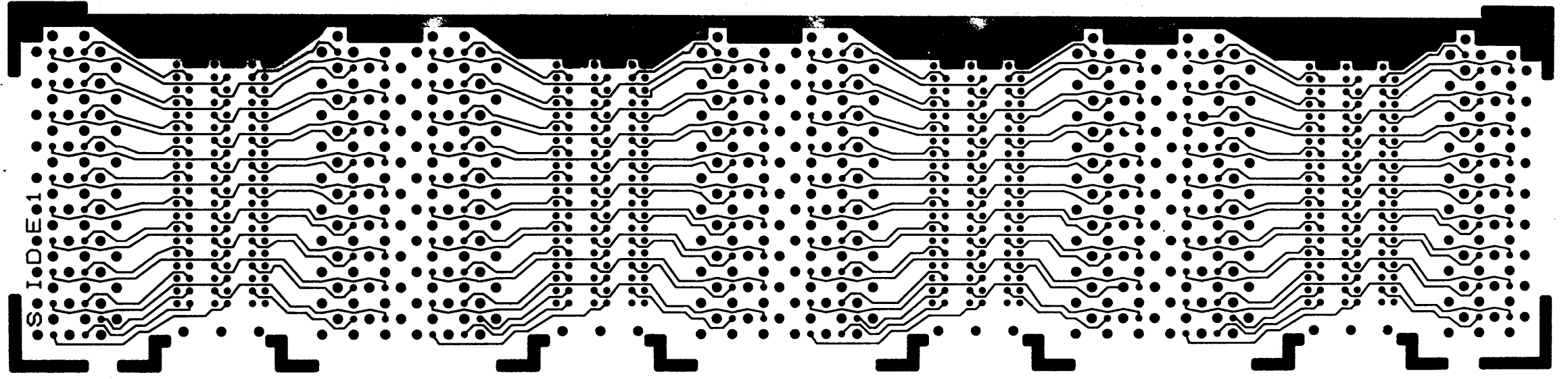
THIS DRAWING AND SPECIFICATIONS, HEREIN, ARE THE PROPERTY OF DIGITAL EQUIPMENT CORPORATION AND SHALL NOT BE REPRODUCED OR COPIED IN WHOLE OR IN PART AS THE BASIS FOR THE MANUFACTURE OR SALE OF ITEMS WITHOUT WRITTEN PERMISSION. COPYRIGHT © 1975 DIGITAL EQUIPMENT CORPORATION

8 0-0-0701105UA D 2 MK 1



SIDE 2

5411070 5011069E - P1



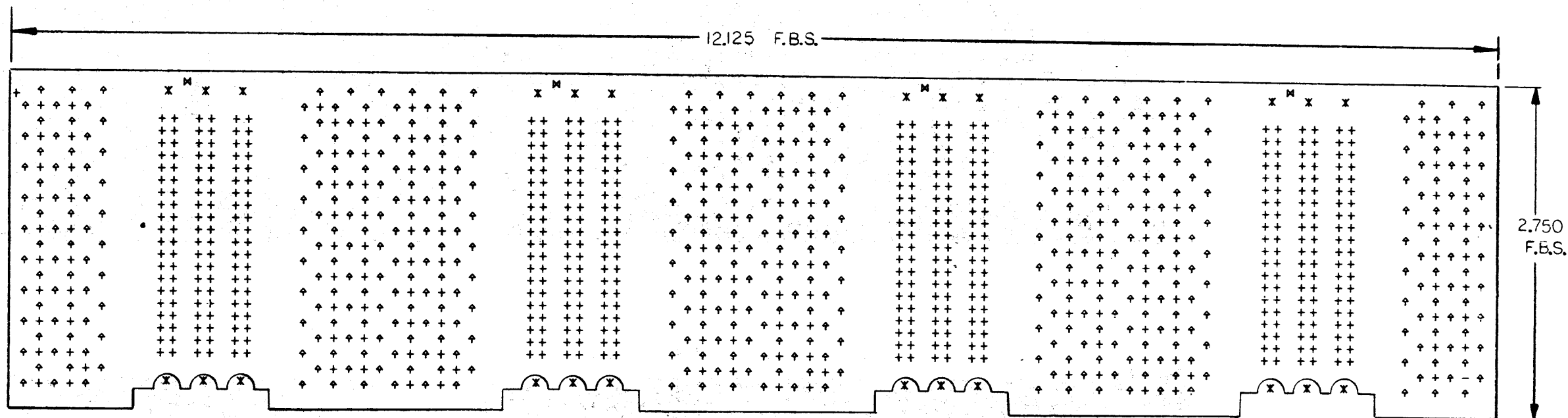
SIDE 1

NOTES:

CHG	CHANGE	NO	REV

SIGNATURES		DATE	digital	TITLE
DRN. D.E. OLSON		2-25-75		
CHK. D. P.J. LEBLANC		2-25-75	RH20 MASSBUS TRANSITION	REV
ENG. CARPENITO		2-25-75		
PROJ. ENG. CARPENITO		0	SCALE	CODE
PROD. J. ARTHUR		2-25-75		
SCALE 2/1		SIZE	NUMBER	REV
SHT. 3 OF 4		D	UA 5411070-0-0	B
ED. REV		FIRST USED ON KL10		

THIS DRAWING AND SPECIFICATIONS, HEREIN, ARE THE PROPERTY OF DIGITAL EQUIPMENT CORPORATION AND SHALL NOT BE REPRODUCED OR COPIED OR USED IN WHOLE OR IN PART AS THE BASIS FOR THE MANUFACTURE OR SALE OF ITEMS WITHOUT WRITTEN PERMISSION.
 COPYRIGHT © 1975 DIGITAL EQUIPMENT CORPORATION



SIDE 2

NOTES:

CHANGE NO. REV.	

SIGNATURES	DATE	digital
DRN. D.E. OLSON	2-25-75	
CHK. D.P.J. LEBLANC	2-25-75	
ENG. CARPENITO	2-25-75	
PROJ. ENG. CARPENITO	2-25-75	
PROJ. J. ARTHUR	2-25-75	TITLE RH20 MASSBUS TRANSITION
SCALE 2/1	SIZE CODE	NUMBER
SHT. 4 OF 4	D UA	5411070-0-0
ETCH REV E	FIRST USED ON	KL10

This drawing and specifications, herein, are the property of Digital Equipment Corporation and shall not be reproduced or copied or used in whole or in part as the basis for the manufacture or sale of items without written permission. **COPYRIGHT © 1975**

DIGITAL EQUIPMENT CORP.

REWORK INSTRUCTIONS

ETCH CUTS SIDE 2 AS SHOWN

- 1 CUT ETCH IN ROW "A" AT PTH BELOW -5V.
- 2 CUT ETCH IN ROW "B" AT PTH BELOW PIN BVI.


REV A 5410678-0-0 2

1	ETCHED CIRCUIT BOARD	5010657
12	TAB FASTON	9007113
12	EYELET	9009000

QTY	REF DESIGNATION	DESCRIPTION	PART NO.	ITEM NO.
-----	-----------------	-------------	----------	----------

FIRST USED ON OPTION MODEL
KL10

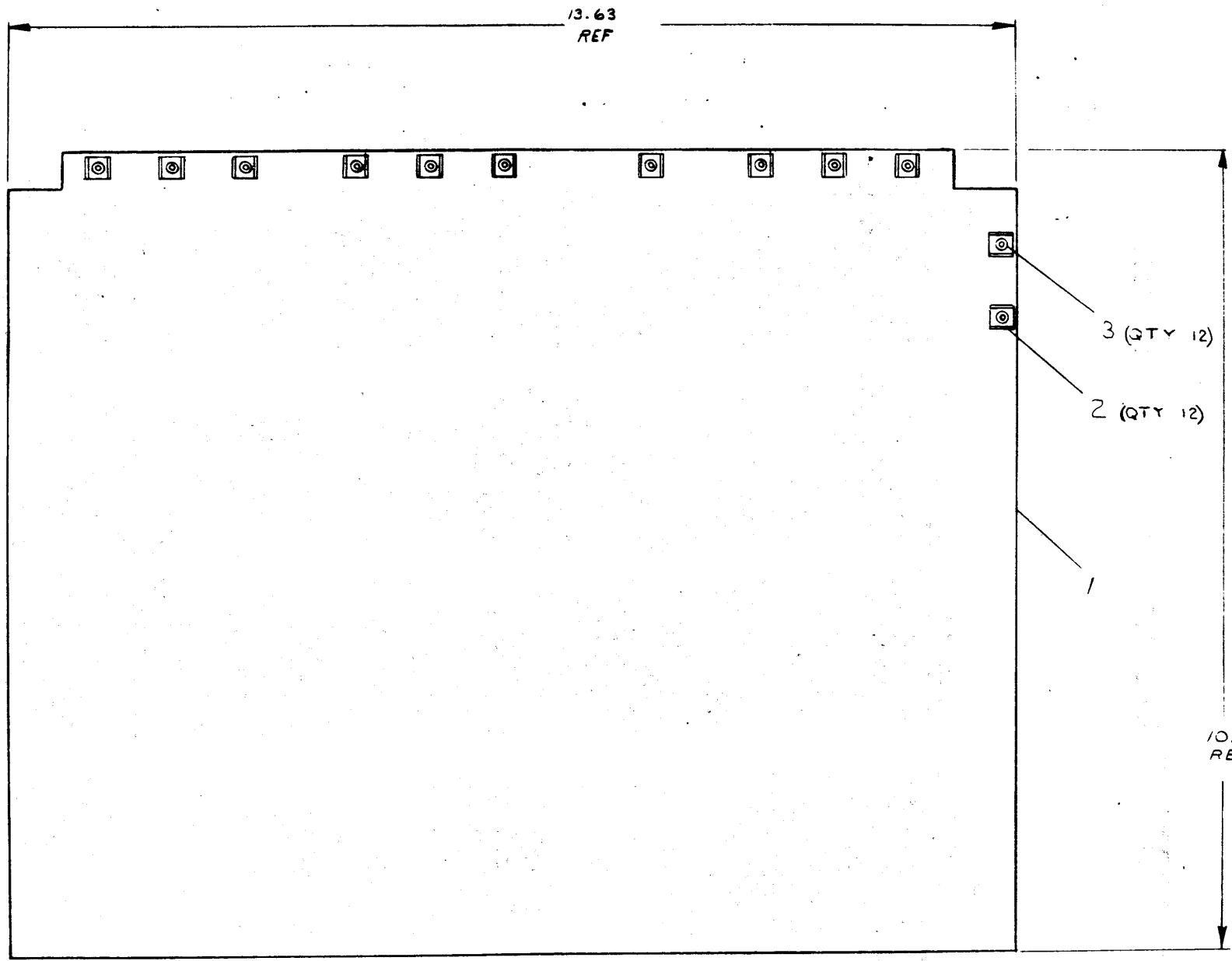
PARTS LIST

DRN <i>Brian Nichols</i>	DATE 1-2-75	 <p>digital EQUIPMENT CORPORATION MAYNARD MASSACHUSETTS</p>	
CHK'D <i>A. J. Landry</i>	DATE 2-20-75		
ENG. <i>A. Caspate</i>	DATE 2/24/75		
PROJ. ENG. <i>A. Caspate</i>	DATE 2/24/75		
PRD. <i>W. Fisher</i>	DATE 2/24/75		
TITLE RH20 I/O BACKPLANE *2 A TO D			
NEXT HIGHER ASSY B-DD-5410678-0			
DEC NO.	EIA NO.	DEC NO.	EIA NO.
SCALE + + +		SIZE CODE DUA	NUMBER 5410678-0-0
SHEET 1 OF 4		REV. A	

SEMICONDUCTOR CONVERSION CHART

D
C
B
A
 NUMBER 5410678-0-0
 SIZE CODE DUA

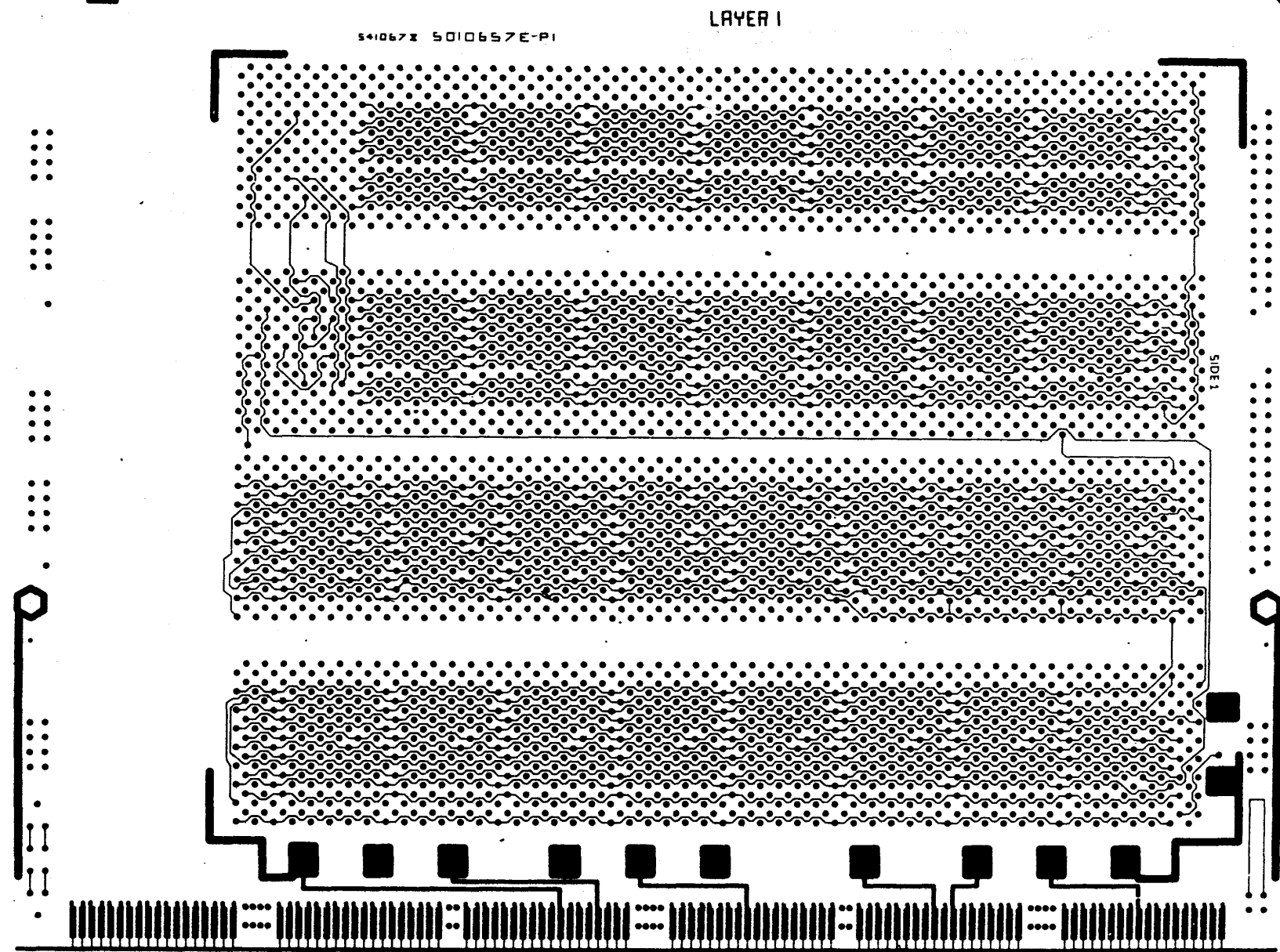
Orms



REV. NO.		
CHK	CHANGE NO.	REV.

TITLE RH20 I/O BACKPLANE		SIZE CODE	NUMBER	REV.
*2 A TO D		DUA	5410678-0-0	A
SCALE	SHEET 2 OF 4	DIST		

THE DIMENSIONS AND SPECIFICATIONS HEREIN ARE THE PROPERTY OF DIGITAL EQUIPMENT CORPORATION AND SHALL BE KEPT IN CONFIDENCE OR USED IN WHOLE OR IN PART FOR THE MANUFACTURE OR SALE OF ANY PRODUCT WITHOUT PERMISSION OF DIGITAL EQUIPMENT CORPORATION.



5410678 5010657E-P1

LAYER 1

SIDE 1

REVISIONS		
CHK	CHANGE NO.	REV.

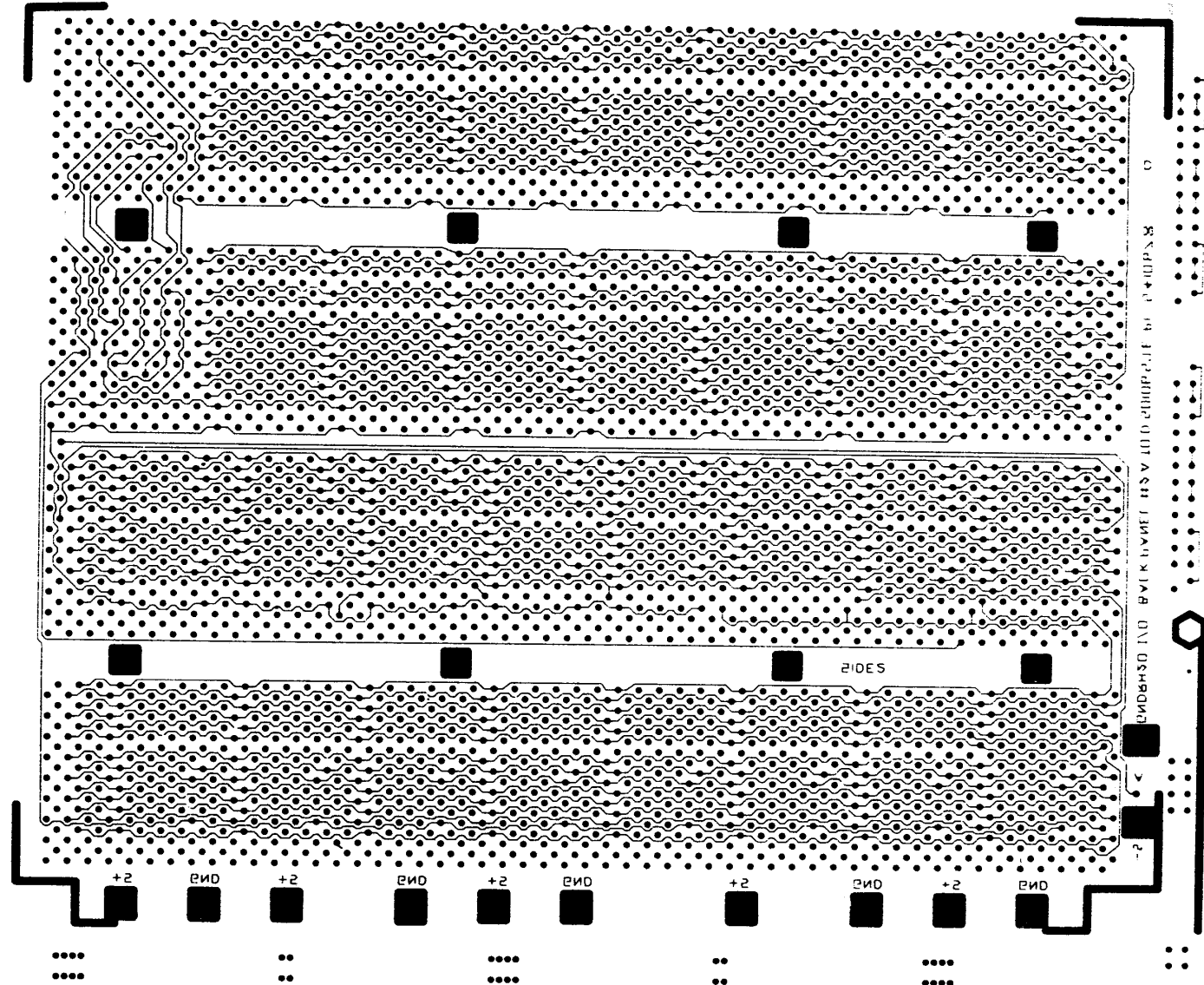
LAYER 1		TITLE	NUMBER	REV
RH20 I/O BACKPLANE		D UA5410678-0-0	A	A
SCALE	SHEET 3 OF 4	DIST		

DUA5410678-0-0 A

THIS DRAWING AND SPECIFICATIONS HEREIN ARE THE PROPERTY OF DIGITAL EQUIPMENT CORPORATION AND SHALL NOT BE REPRODUCED OR COPIED OR USED IN WHOLE OR IN PART AS THE BASIS FOR THE MANUFACTURE OR SALE OF ITEMS WITHOUT WRITTEN PERMISSION. COPYRIGHT © 1975 DIGITAL EQUIPMENT CORPORATION.

UA5410678-0-0 2

LAYER 4



REVISIONS		
CHK	CHANGE NO	REV

TITLE	RH20 I/O BACKPLANE	SIZE CODE	D	NUMBER	UA5410678-0-0	REV	A
SCALE	/ /	SHEET	4	OF	4	DIST	

THIS DRAWING AND SPECIFICATIONS HEREIN ARE THE PROPERTY OF DIGITAL EQUIPMENT CORPORATION AND SHALL NOT BE REPRODUCED OR COPIED OR USED IN WHOLE OR IN PART AS THE BASIS FOR THE MANUFACTURE OR SALE OF ITEMS WITHOUT WRITTEN PERMISSION.
 COPYRIGHT © 1974 DIGITAL EQUIPMENT CORPORATION

NOTES:

1. FOR DRAWING DIRECTORY REFER TO B-DD-5410677-0

U-0-2290175 0114 2

1	ETCHED CIRCUIT BOARD	5010656	1
5	FASTON TAB	9007113	2
12	EYELET	9008000	3
7	FASTON, TAB	9008219	4

D

D

C

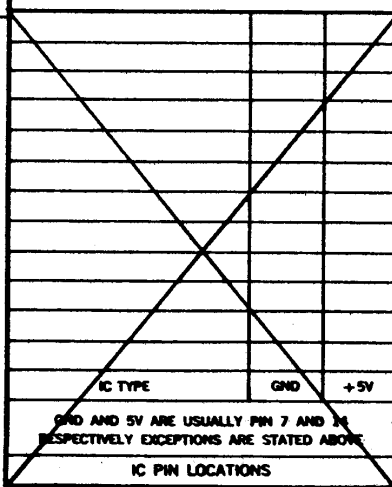
C

B

B

A

A



QTY	REF. DESIGNATION	DESCRIPTION	PART NO.	ITEM NO.
-----	------------------	-------------	----------	----------

PARTS LIST

FIRST USED ON OPTION MODEL: KL10

CHK	CHANGE NO.	REV.

DISP. BY	DATE
CHG. BY	DATE
ENG. BY	DATE
PROJ. ENGR.	DATE
PROJ. MGR.	DATE

digital

TITLE: RH20 I/O BACKPANEL E TO F

NUMBER: B-DD-5410677-0

SIZE CODE: DUA

REVISION: 0-0

SCALE: 1:1

SHEET 1 OF 4

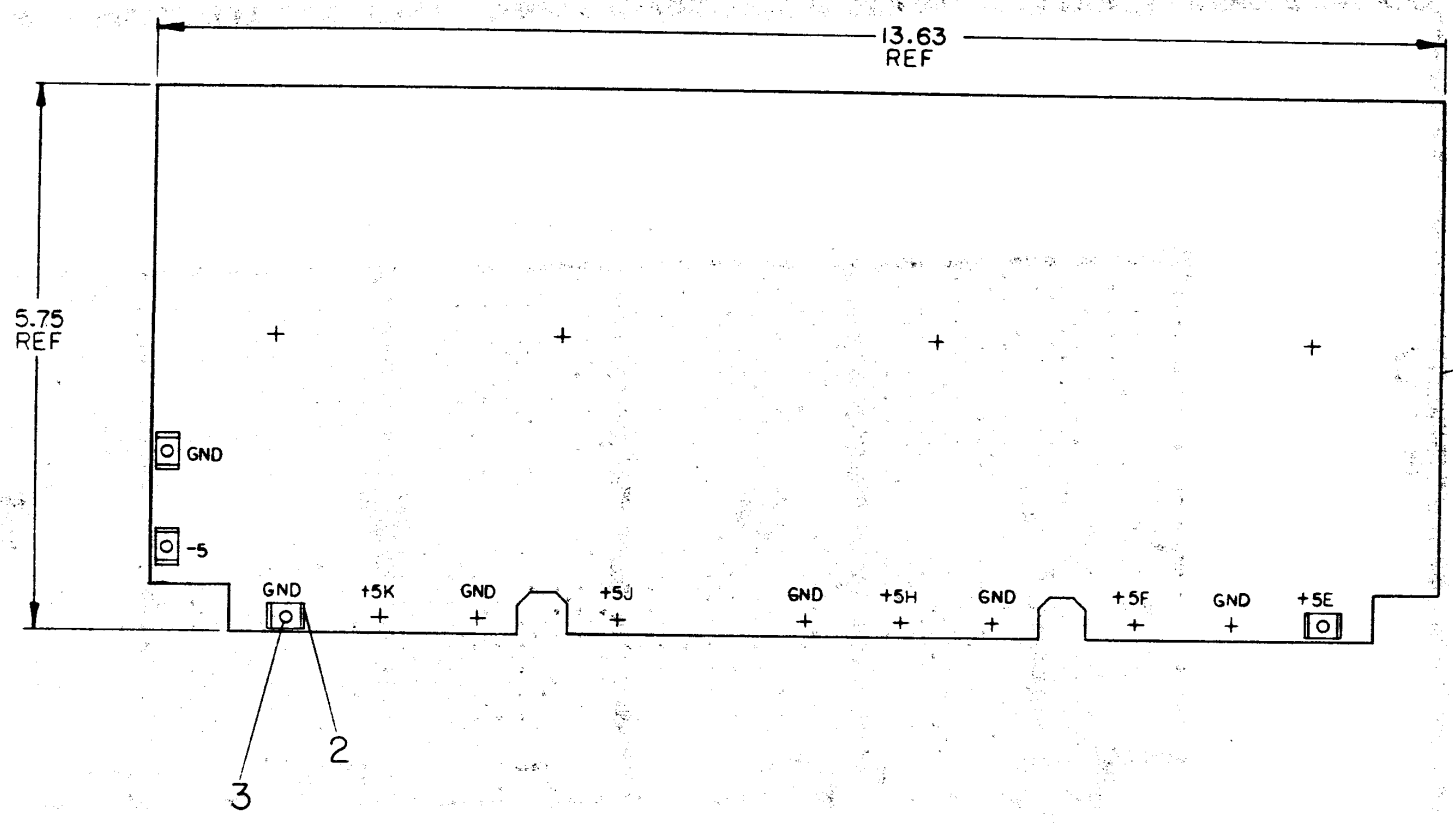
SEMICONDUCTOR CONVERSION CHART

DEC. NO.	EIA NO.	DEC. NO.	EIA NO.
----------	---------	----------	---------

DRAWING CODE: DUA NUMBER: 5410677-0-0 REV: A

"THIS DRAWING AND SPECIFICATIONS, HEREIN, ARE THE PROPERTY OF DIGITAL EQUIPMENT CORPORATION AND SHALL NOT BE REPRODUCED OR COPIED OR USED IN WHOLE OR IN PART AS THE BASIS FOR THE MANUFACTURE OR SALE OF ITEMS WITHOUT WRITTEN PERMISSION. COPYRIGHT © 1974 DIGITAL EQUIPMENT CORPORATION"

REV. A 0-0-2290145 DUA 5410677-0-0 2



3
2

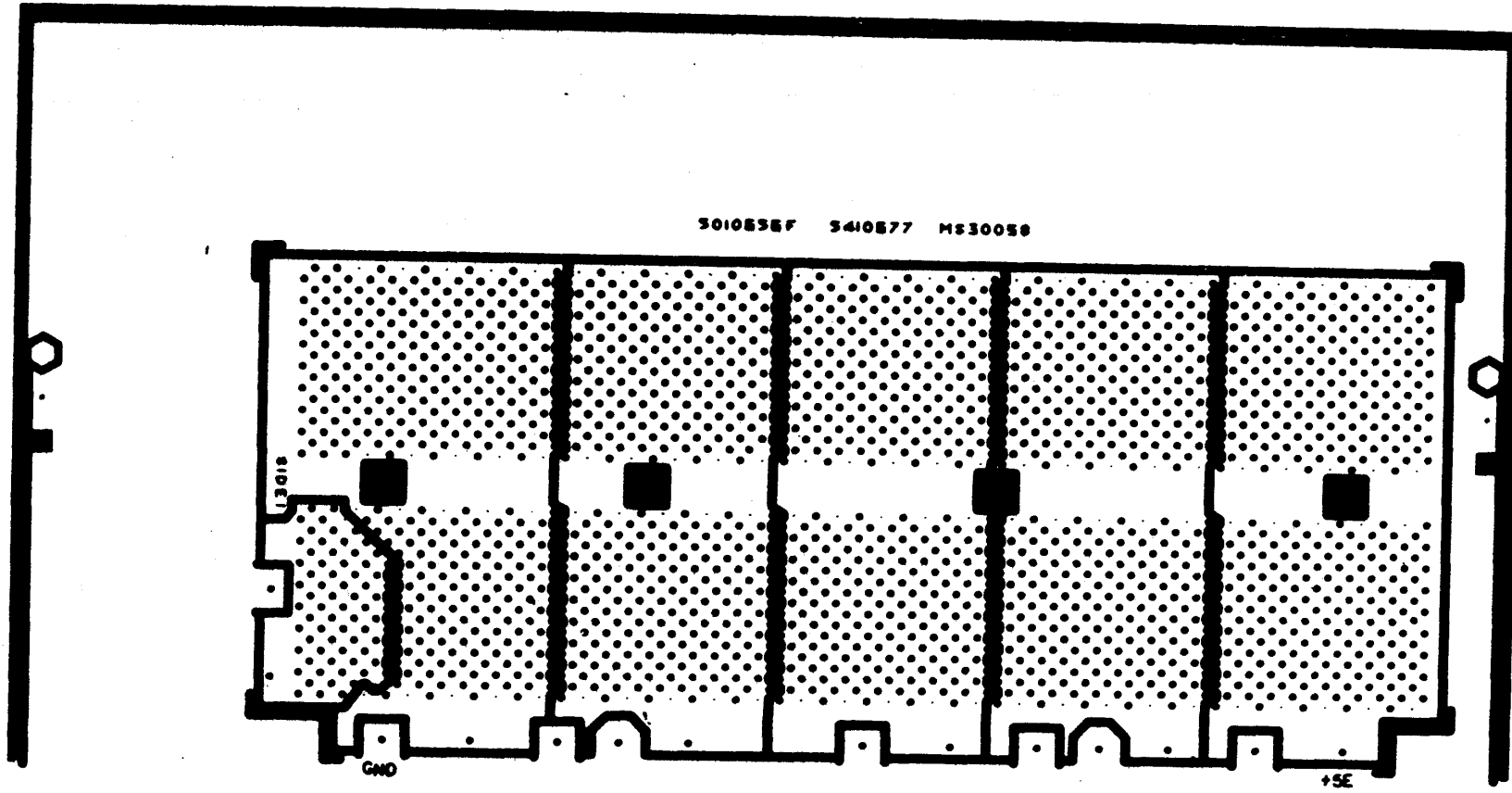
REVISIONS							TITLE		SIZE CODE		NUMBER		REV.
CHK	CHANGE NO	REV					RH20 I/O BACKPANEL E TO F		DUA		5410677-0-0		A
SCALE 1/1							SHEET 2 OF 4		DIST.				

DEC FORM NO 8
OBD 137

DUA 5410677-0-0 A

THIS DRAWING AND SPECIFICATIONS HEREIN ARE THE PROPERTY OF DIGITAL EQUIPMENT CORPORATION AND SHALL NOT BE REPRODUCED OR COPIED OR USED IN WHOLE OR IN PART AS THE BASIS FOR THE MANUFACTURE OR SALE OF ITEMS WITHOUT WRITTEN PERMISSION. COPYRIGHT © 1974 DIGITAL EQUIPMENT CORPORATION.

Y 0-0-2250195 MTD 2



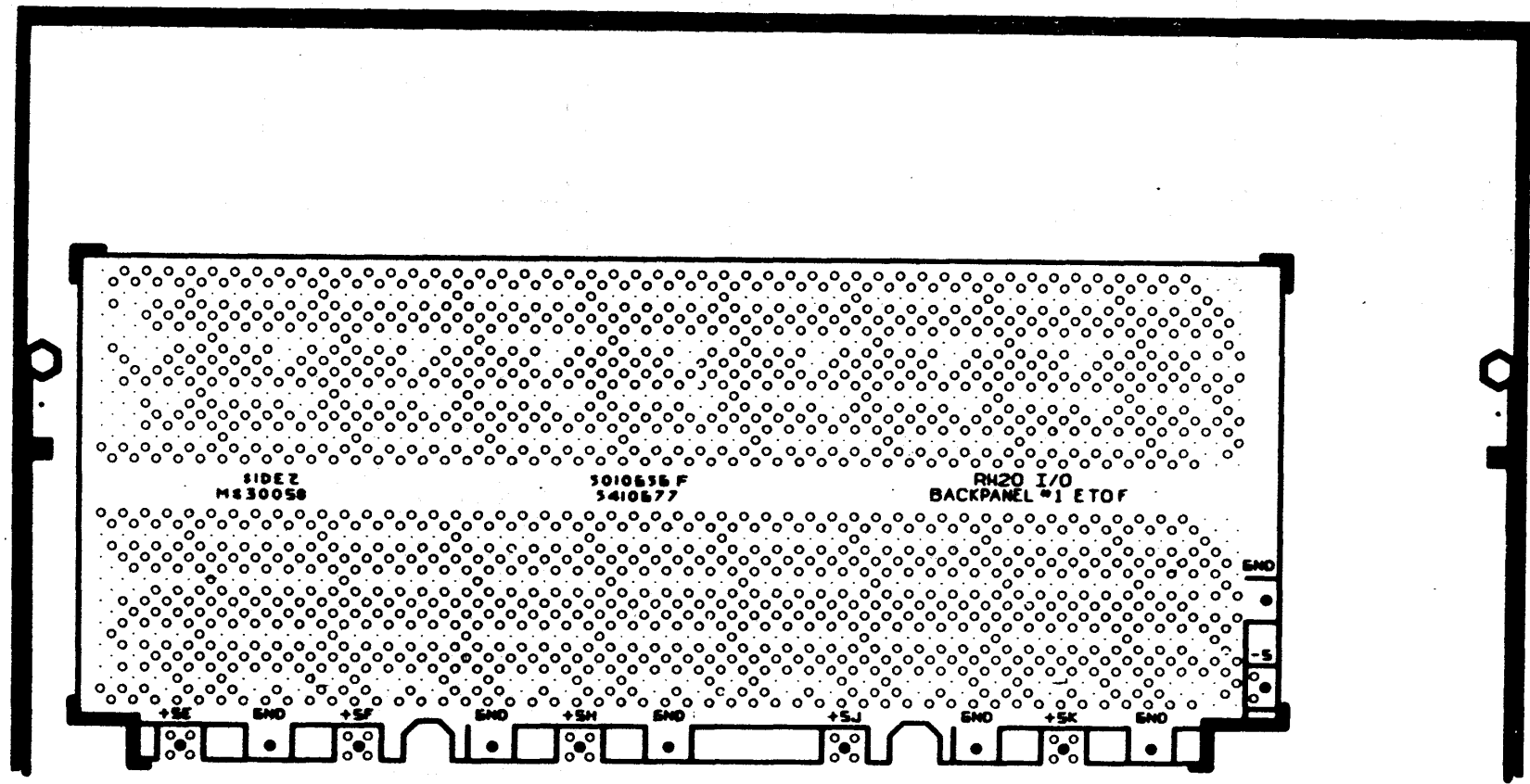
REVISIONS		
CHK	CHANGE NO	REV

(SIDE 1)

TITLE	SIZE CODE	NUMBER	REV.
RH20 I/O BACKPANEL E TO F DUA	DUA	5410677-0-0	A
SCALE 1/1	SHEET 3 OF 4	DIST.	

DUA 5410677-0-0 A

THE DRAWING AND SPECIFICATIONS HEREIN ARE THE PROPERTY OF DIGITAL EQUIPMENT CORPORATION AND SHALL NOT BE REPRODUCED OR COPIED OR USED IN WHOLE OR IN PART AS THE BASIS FOR THE MANUFACTURE OR SALE OF ITEMS WITHOUT WRITTEN PERMISSION.
 COPYRIGHT © 1971 DIGITAL EQUIPMENT CORPORATION



REVISIONS		
CHK	CHANGE NO	REV

(SIDE 2)

TITLE	SIZE/COOR	NUMBER	REV.
RH20 I/O BACKPANEL #1 E TOF	DUA	5410677-0-0	A
SCALE 1:1	SHEET 4 OF 4	DWT.	

DUA 5410677-0-0 A

This drawing and specifications, herein, are the property of Digital Equipment Corporation and shall not be reproduced or copied or used in whole or in part as the basis for the manufacture or sale of items without written permission.

WIRE TABLE

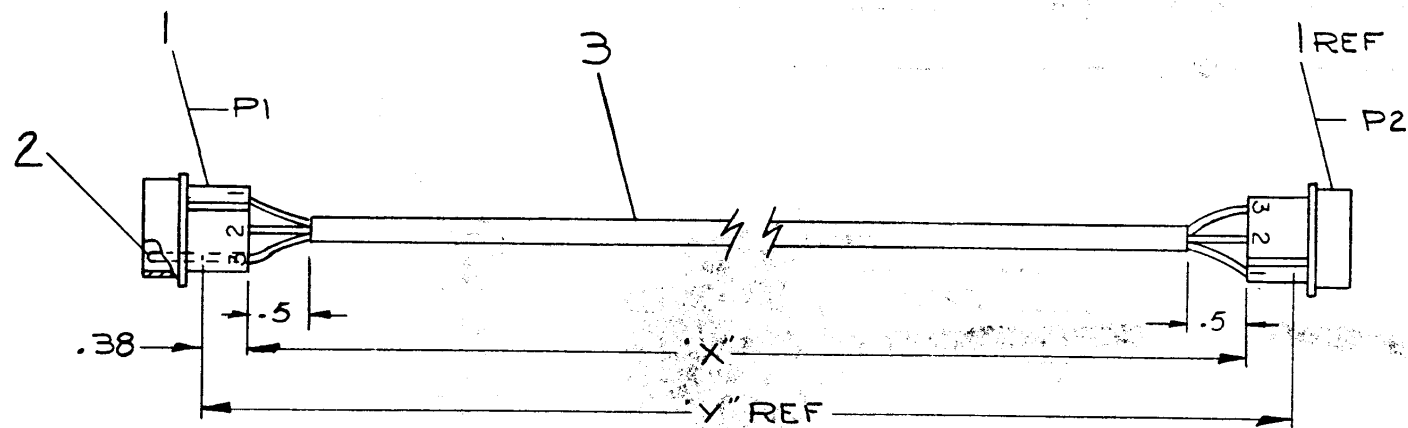
ITEM NO	DESCRIPTION	FROM		TO		
		AWG	COLOR	CONNECTION	WITH	CONNECTION
3	22	RED	P1-1	2	P2-1	2
3	22	BLK	P1-2	2	P2-2	2
3	22	GRN	P1-3	2	P2-3	2

LEGEND

NUMBER	DIM'X VARIATION	DIM'Y (PRECUT) REF
7008288-3F	3FT. 6 IN ± 1 IN.	3FT. 6.8 IN ± 1 IN.
7008288-8F	8FT. 6 IN ± 2 IN.	8FT. 6.8 IN ± 2 IN.
7008288-06	6FT. ± 2 IN.	6FT. 0.8 IN ± 2 IN.
7008288-12	12FT. ± 3 IN.	12FT. 0.8 IN ± 3 IN.
7008288-05	5FT. ± 1 IN.	5FT. 0.8 IN ± 2 IN.
7008288-10	10FT. ± 2 IN.	10FT. 0.8 IN ± 3 IN.
7008288-15	15FT. ± 3 IN.	15FT. 0.8 IN ± 3 IN.
7008288-08	8FT. ± 2 IN.	8FT. 0.8 IN ± 2 IN.
7008288-30	30FT. ± 7 IN.	30FT. 0.8 IN ± 7 IN.
7008288-40	40FT. ± 10 IN.	40FT. 0.8 IN ± 10 IN.
7008288-25	25FT. ± 10 IN.	25FT. 0.8 IN ± 10 IN.

NOTES

~~THE REMAINING BLK WIRE IS TO BE CUT AT JACKET (BOTH ENDS)~~



CHK	CHANGE NO.	REV.
YB	7008288-00001	A
		10-16-72
		R. BURTON
		10-25-72
RY	7008288-00002	B
		8-5-74
		D. LEWIS
		7-1-74
RY	7008288-00003	C
		3-27-75
		B. MINOR
		3-28-75
QV	7008288-00004	D
		6-10-75
		J. PROVIDENT
RY	7008288-00005	E
		3-MAR-76
		F. DOLL
		5-MAR-76
RY	7008288-00006	F
		23-MAR-76
		J. MCINTYRE
		23-MAR-76
LC	7012401-00003	H
		23 May 77
		I. MORRIS
		24 MAY 77
RY	7008288-ML007	J
		5/2/80
		CASTELLANOS
		10-1-80

FIRST USED ON OPTION/MODEL PDP/11		A/R WIRE, 3 COND #22AWG		9107756	3
		6 PIN MALE #60620-1		1209378-03	2
		2 PIN HOUSING #1-480305-0		1209351-03	1
QTY.	DESCRIPTION	PART NO.	ITEM NO.		
PARTS LIST					
UNLESS OTHERWISE SPECIFIED		DRN.	DATE		
UNLESS OTHERWISE SPECIFIED		CHK'D.	DATE		
DIMENSION IN INCHES		ENG.	DATE		
TOLERANCES		PROJ. ENG.	DATE		
DECIMALS FRACTIONS ANGLES		PROD.	DATE		
± .006 ± 1/64 ± 0°30'		NEXT HIGHER .755Y			
FINAL SURFACE QUALITY REMOVE BURRS AND BREAK SHARP CORNERS		D-UA-RKφ2-0-φ			
MATERIAL		SCALE 11			
SEE PARTS LIST		SHEET 1 OF 1			
FINISH		SIZE CODE		NUMBER	REV.
		CIA		7008288-0-0	J
		DIST.			

digital EQUIPMENT CORPORATION
MAYNARD, MASSACHUSETTS

TITLE
CABLE ASSY

REV. J
NUMBER 7008288-0-0
SIZE CODE CIA

This drawing and specifications, herein, are the property of Digital Equipment Corporation and shall not be reproduced or copied or used in whole or in part as the basis for the manufacture or sale of items without written permission.

LEGEND

NUMBER	DIM "X" VARIATION	DIM "Y" (PRECUT) REF
BC05F-15	15 FT. ± 3 IN.	15 FT. .75 IN. ± 3 IN.
BC05F-9	9 FT. ± 2 IN.	9 FT. .75 IN. ± 2 IN.
BC05F-04	4 FT. ± 1 IN.	4 FT. .75 IN. ± 1 IN.
BC05F-25	25 FT. ± 3 IN.	25 FT. .75 IN. ± 3 IN.
BC05F-30	30 FT. ± 2%	30 FT. .75 IN. ± 2%
BC05F-45	45 FT. ± 2%	45 FT. .75 IN. ± 2%
BC05F-50	50 FT. ± 2%	50 FT. .75 IN. ± 2%
BC05F-90	90 FT. ± 2%	90 FT. .75 IN. ± 2%
BC05F-80	200 FT. ± 2%	200 FT. .75 IN. ± 2%
BC05F-C0	300 FT. ± 2%	300 FT. .75 IN. ± 2%
BC05F-E0	500 FT. ± 2%	500 FT. .75 IN. ± 2%

WIRE TABLE

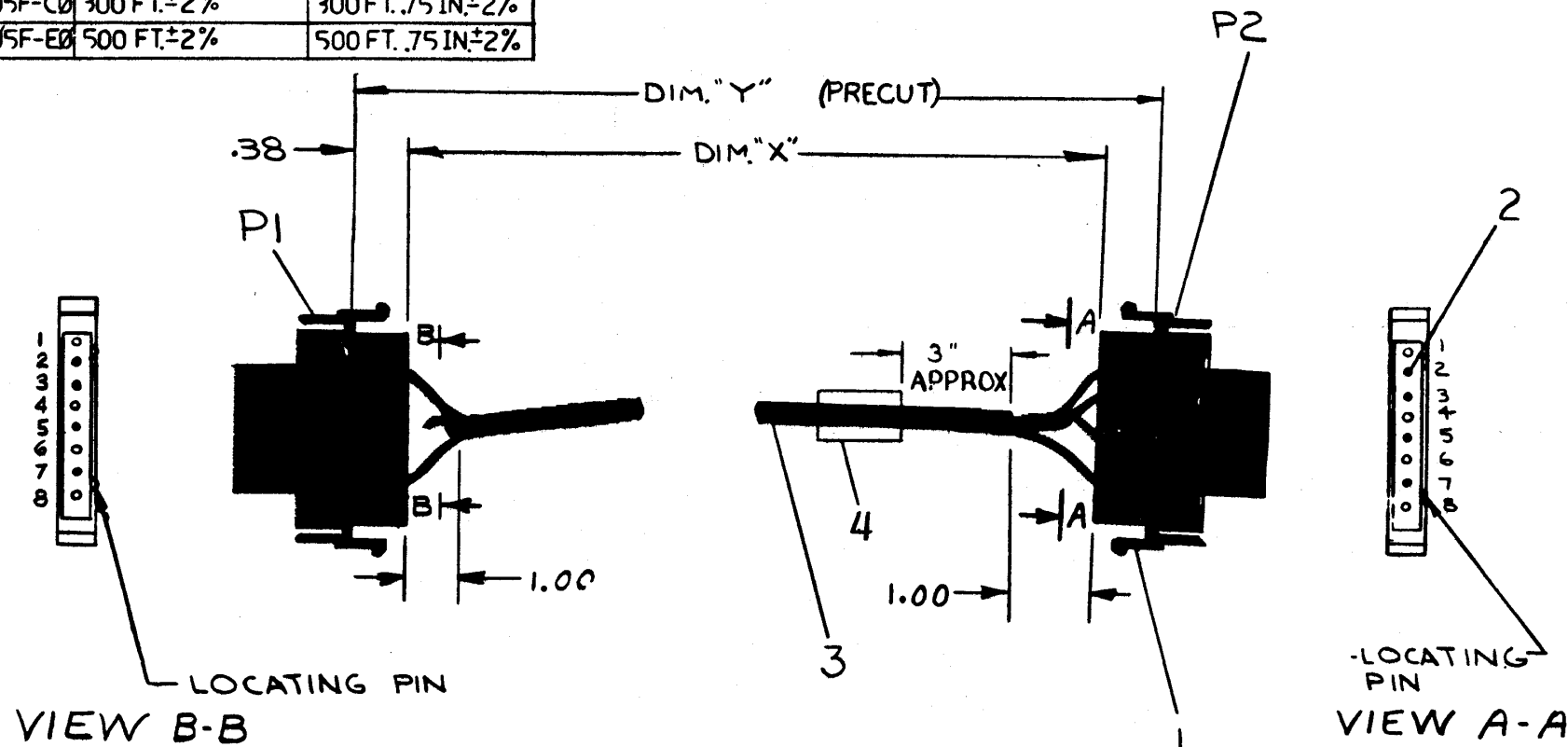
ITEM NO	DESCRIPTION	FROM CONNECTION	TO CONNECTION
3	22 BLK	P1-2	P2-3
3	22 RED	P1-3	P2-2
3	22 WHT	P1-5	P2-7
3	22 GRN	P1-7	P2-5

NOTES:

1. ASSEMBLE CABLE I.D. LABEL TO AREA AS SHOWN BELOW.

LEGEND CONT.

NUMBER	DIM "X"	DIM "Y" REF
BC05F-E5	550 FT. ± 2%	550 FT. .75 IN. ± 2%
BC05F-L0	1000 FT. ± 2%	1000 FT. .75 IN. ± 2%



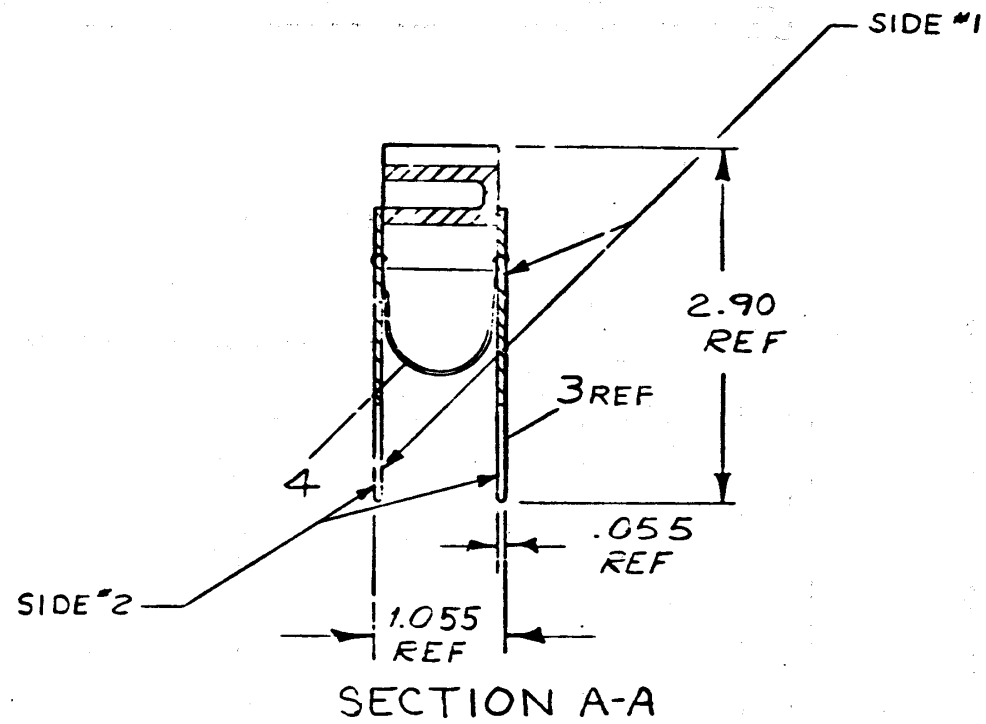
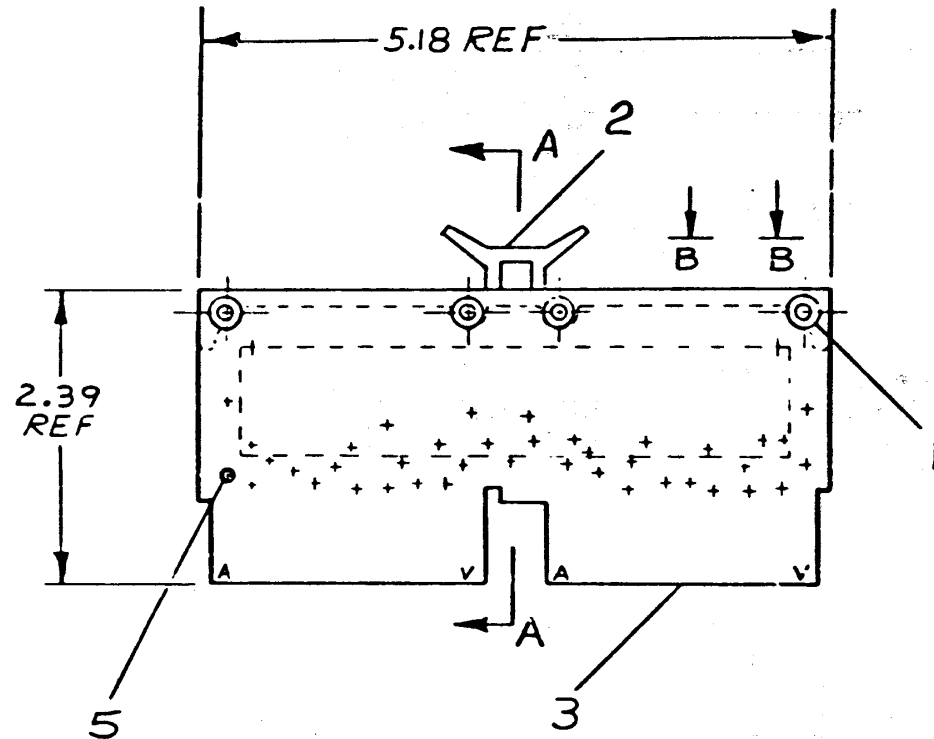
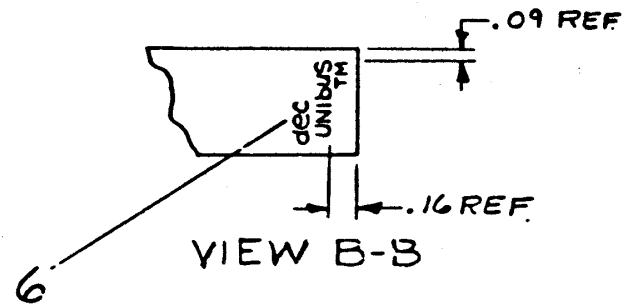
CAUTION: FOR OFF SHEET PARTS LIST SEE K-PL-BC05F-0-0.

REV.	CHG. NO.	DATE	BY	CHK'D.	DATE
A	00001	11-8-71	R. FITCH		
B	00119	11-9-71	Robert Fitch		
C	00002	7/18/75	J. BITTO		
D	ML003	22 JUN 76	R. FITCH		
E	MK004	27 May 81	J. DESUK		
		17 Dec 81	R. HARRINGTON		

FIRST USED ON OPTION MODEL	QTY.	DESCRIPTION	PART NO.	ITEM NO.
DF11				
PARTS LIST				
UNLESS OTHERWISE SPECIFIED		DRN. <i>A. J. London</i>	DATE <i>10/6/71</i>	digital EQUIPMENT CORPORATION <small>MAYNARD, MASSACHUSETTS</small>
UNLESS OTHERWISE SPECIFIED		CHK'D. <i>R. Miller</i>	DATE <i>10/8/71</i>	
TOLERANCES		ENG. <i>Robert Fitch</i>	DATE <i>10-19-71</i>	
DECIMALS ± .005		PROJ. ENG. <i>Robert Fitch</i>	DATE <i>10-19-71</i>	
FRACTIONS ± 1/64		PROB. <i>Paul Gray</i>	DATE <i>11-26-71</i>	CABLE INTERFACE BC05F
ANGLES ± 0°30'		NEXT HIGHER ASS'Y		
FINAL SURFACE QUALITY REMOVE BURRS AND BREAK SHARP CORNERS		SCALE		SIZE CODE
MATERIAL		SHEET 1 OF 1		CUA
FINISH		DIST. 5		NUMBER
				BC05F 0-0
				REV.
				E

SIZE CODE CUA
 NUMBER BC05F-0-0
 REV. E

This drawing and specifications herein are the property of Digital Equipment Corporation and shall not be reproduced or copied or used in whole or in part as the basis for the manufacture or sale of items without written permission.



REV.	B
CHANGE NO.	M920-00002
CHK	W. J. Terrence
DESIGNED BY	BLASI
DRAWN BY	C. J. ...
PART NO.	M920-00004 C
OPERATOR	MARCEAU

DEC FORM NO. 100

FIRST USED ON OPTION / UCF	QTY.	DESCRIPTION	PART NO.	ITEM NO.
PDP11				
PARTS LIST				
UNLESS OTHERWISE SPECIFIED	DRN. <i>[Signature]</i>	DATE <i>7/20/67</i>	 DIGITAL EQUIPMENT CORPORATION <small>MAYNARD, MASSACHUSETTS</small>	
UNLESS OTHERWISE SPECIFIED	CHK'D. <i>[Signature]</i>	DATE <i>11/1/67</i>		
DIMENSION IN INCHES	ENG. <i>[Signature]</i>	DATE <i>1/26/68</i>		
TOLERANCES	PRD. <i>[Signature]</i>	DATE <i>1/26/68</i>		
DECIMALS = .005			TITLE	
FRACTIONS = 1/64			INTERNAL BUS	
ANGLES = 0.30°			CONN ASSY	
FINAL SURFACE QUALITY REMOVE BURRS AND BEAN SHARP CORNERS			SIZE CODE	NUMBER
			C/UA	M920-0-0
MATERIAL	SCALE	NONE	DIST.	
NEAT - HIGHER - ESSY				
C-UA-11/20-0-0	SHEET	1	CF	1
FINISH				

SIZE CODE C/UA NUMBER M920-0-0

REV. C

REV. C

THIS DRAWING AND SPECIFICATIONS HEREIN ARE THE PROPERTY OF DIGITAL EQUIPMENT CORPORATION AND SHALL NOT BE REPRODUCED OR COPIED OR USED IN WHOLE OR IN PART AS THE BASIS FOR THE MANUFACTURE OR SALE OF ITEMS WITHOUT WRITTEN PERMISSION. COPYRIGHT © 1975 DIGITAL EQUIPMENT CORPORATION.

LEGEND

NUMBER	DIM X" VARIATION	DIM Y" (PRE-CUT) REF.
BC11A-02	2'0"±0.5"	2'1.5"
BC11A-03	3'0"±1.0"	3'1.5"
BC11A-04	4'0"±1.0"	4'1.5"
BC11A-05	5'0"±1.0"	5'1.5"
BC11A-06	6'0"±1.0"	6'1.5"
BC11A-07	7'0"±2.0"	7'1.5"
BC11A-08	8'0"±2.0"	8'1.5"
BC11A-09	9'0"±2.0"	9'1.5"
BC11A-10	10'0"±2.0"	10'1.5"
BC11A-11	11'0"±3.0"	11'1.5"
BC11A-12	12'0"±3.0"	12'1.5"
BC11A-13	13'0"±3.0"	13'1.5"
BC11A-14	14'0"±3.0"	14'1.5"
BC11A-15	15'0"±4.0"	15'1.5"
BC11A-16	16'0"±4.0"	16'1.5"
BC11A-17	17'0"±4.0"	17'1.5"
BC11A-18	18'0"±4.0"	18'1.5"
BC11A-19	19'0"±5.0"	19'1.5"
BC11A-20	20'0"±5.0"	20'1.5"
BC11A-21	21'0"±5.0"	21'1.5"
BC11A-22	22'0"±5.0"	22'1.5"
BC11A-23	23'0"±6.0"	23'1.5"
BC11A-24	24'0"±6.0"	24'1.5"
BC11A-25	25'0"±6.0"	25'1.5"
BC11A-0F	0'6"±0.5"	0'7.5"
BC11A-8F	8'6"±2.0"	8'7.5"

H 0-0-0-108 2

D

D

C

C

B

B

A

A

SIZE CODE
DUA BC11A-0-0
H

REVISIONS		
CHK	CHANGE NO	REV

TITLE CABLE ASSY (BC11A)	SIZE CODE DUA	NUMBER BC11A-0-0	REV H
SCALE	SHEET 2 OF 2	DIST.	

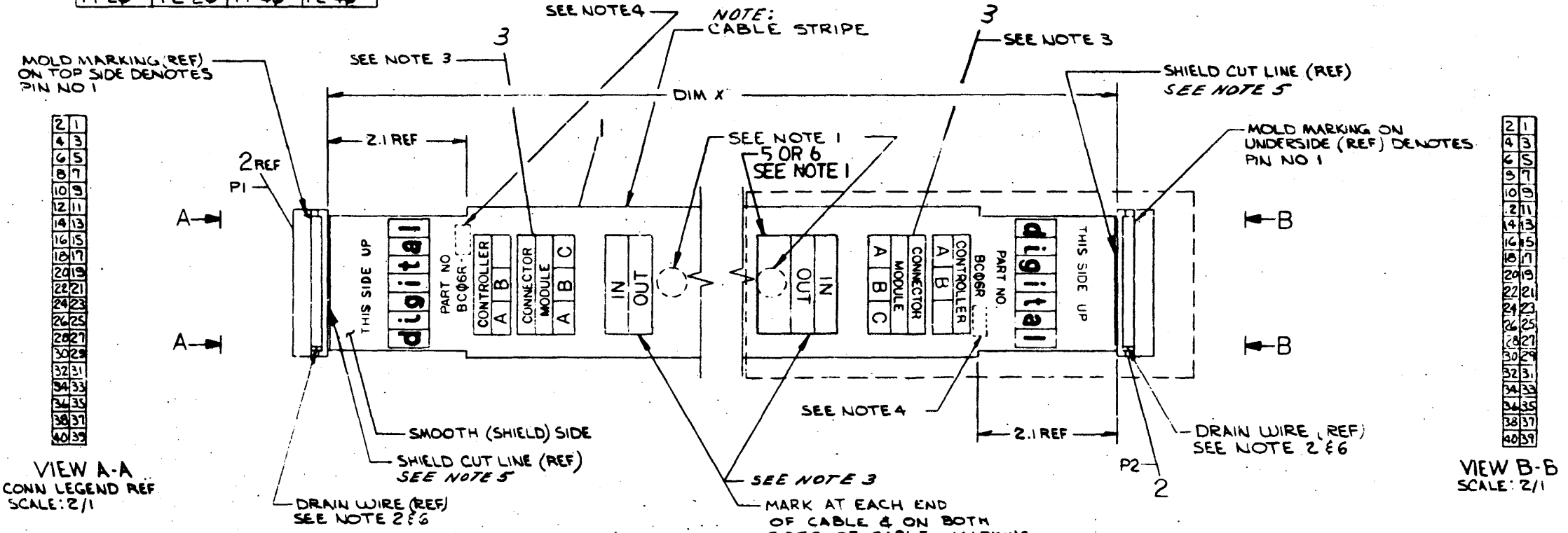
The drawing and specifications herein are the property of Digital Equipment Corporation and shall not be reproduced or used in any way without the written permission of Digital Equipment Corporation.

COPYRIGHT © 1975 DIGITAL EQUIP CORP.

WIRE TABLE			
FROM	TO	FROM	TO
P1-1	P2-1	P1-21	P2-21
P1-2	P2-2	P1-22	P2-22
P1-3	P2-3	P1-23	P2-23
P1-4	P2-4	P1-24	P2-24
P1-5	P2-5	P1-25	P2-25
P1-6	P2-6	P1-26	P2-26
P1-7	P2-7	P1-27	P2-27
P1-8	P2-8	P1-28	P2-28
P1-9	P2-9	P1-29	P2-29
P1-10	P2-10	P1-30	P2-30
P1-11	P2-11	P1-31	P2-31
P1-12	P2-12	P1-32	P2-32
P1-13	P2-13	P1-33	P2-33
P1-14	P2-14	P1-34	P2-34
P1-15	P2-15	P1-35	P2-35
P1-16	P2-16	P1-36	P2-36
P1-17	P2-17	P1-37	P2-37
P1-18	P2-18	P1-38	P2-38
P1-19	P2-19	P1-39	P2-39
P1-20	P2-20	P1-40	P2-40

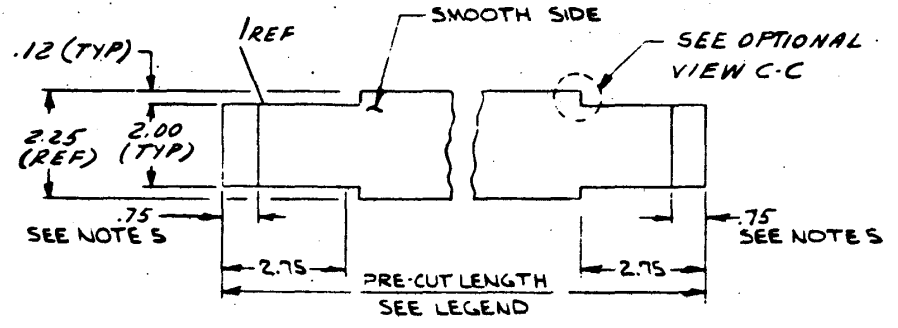
LEGEND			
NUMBER	DIM X	PRECUT LENGTH	REMARKS
BC06R-01	1 FT	1 FT 1.5 IN ± 1 IN	SEE PRE-CUT VIEW C-C
BC06R-02	2 FT	2 FT 1.5 IN ± 1 IN	
BC06R-03	3 FT	3 FT 1.5 IN ± 1 IN	
BC06R-04	4 FT	4 FT 1.5 IN ± 1 IN	
BC06R-05	4 FT 6 IN	4 FT 7.5 IN ± 1.5 IN	SEE NOTE 7
BC06R-06	6 FT	6 FT 1.5 IN ± 2 IN	
BC06R-08	8 FT	8 FT 1.5 IN ± 2 IN	
BC06R-10	10 FT	10 FT 1.5 IN ± 2 IN	
BC06R-12	12 FT	12 FT 1.5 IN ± 3 IN	
BC06R-20	20 FT	20 FT 1.5 IN ± 3 IN	
BC06R-25	25 FT	25 FT 1.5 IN ± 3 IN	
BC06R-30	30 FT	30 FT 1.5 IN ± 6 IN	
BC06R-50	50 FT	50 FT 1.5 IN ± 10 FT	
BC06R-60	60 FT	60 FT 1.5 IN ± 12 FT	
BC06R-75	75 FT	75 FT 1.5 IN ± 1.5 FT	
BC06R-A0	100 FT	100 FT 1.5 IN ± 2 FT	
BC06R-07	7 FT	7 FT 1.5 IN ± 2 IN	
BC06R-08	8 FT 6 IN	8 FT 7.5 IN ± 1 IN	SEE PRE-CUT VIEW C-C
BC06R-15	15 FT	15 FT 1.5 IN ± 3 IN	

- NOTES:**
- LABEL (ITEMS 5 OR 6 CAN BE USED) TO CONTAIN:
PART NO.
REV.
DATE (OF BUILD)
MFG (STAMP) TEST (STAMP)
INSP (STAMP)
AFFIX LABEL AROUND CABLE IN APPROX CENTER.
 - DRAIN WIRE CONNECTS TO PIN NO 40.
 - RUBBER STAMP INFORMATION SHOWN USING INK (ITEM 3) & ARTWORK DEC NO A-DC-741699-0-0.
 - STAMP APPLICABLE OPTION DASH NO. ACCORDING TO LENGTH.
 - REMOVE SHIELD .75 FROM END OF PRECUT CABLE (SEE VIEW C-C).
 - COVER EXPOSED DRAIN WIRE WITH ITEM 4 PRIOR TO ASSY (BOTH ENDS).
 - FOR RP04, RP05, RP06 USE WRAP AROUND VINYL LABEL. SEE VARIATIONS ON DRAWING NUMBER A-PS-365389-0-0. ALSO SEE NEXT HIGHER ASSEMBLY E-IA-7307-0-0 AND E-IA-7009808-0-0.

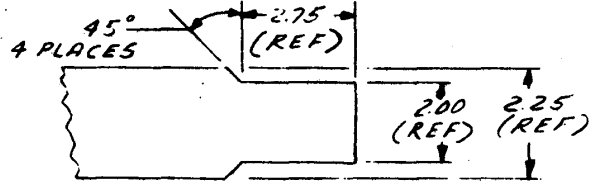


VIEW A-A
CONN LEGEND REF
SCALE: 2/1

VIEW B-B
SCALE: 2/1



VIEW C-C
PRE-CUT VIEW
SCALE: NONE



OPTIONAL VIEW C-C
PRE-CUT VIEW
SCALE: NONE

(CX ONLY) SEE NOTE 1
SEE NOTE 1

QTY	DESCRIPTION	PART NO	ITEM NO
1	LABEL I.D.	3616989-0-0	6
1	LABEL I.D.	3616073-0-0	5
A/R	PLASTIC TAPE	3612511-0	4
A/R	INK	4901150	3
2	CONNECTOR, 40 SOCKET	1211206	2
A/R	CABLE, 40 COND FLAT W/SHIELD	17-00034	1

FIRST USED ON OPTION/MODEL		PARTS LIST	
RP04	QTY	DESCRIPTION	PART NO
UNLESS OTHERWISE SPECIFIED DIMENSION IN INCHES TOLERANCES	ORN	DATE	DATE
DECIMALS	ANGLES	DATE	DATE
XXX - 008	10° 30'	DATE	DATE
XX - 02		DATE	DATE
X - 1		DATE	DATE
REMOVE BURRS AND BREAK SHARP CORNERS SURFACE QUALITY	NEXT HIGHER ASSY	DATE	DATE
MATERIAL	SEE PARTS LIST	E-IA-7009807-0-0	E-IA-7009808-0-0
FINISH	SCALE NONE	SCALE NONE	SCALE NONE
	SHEET 1 OF 1	SHEET	

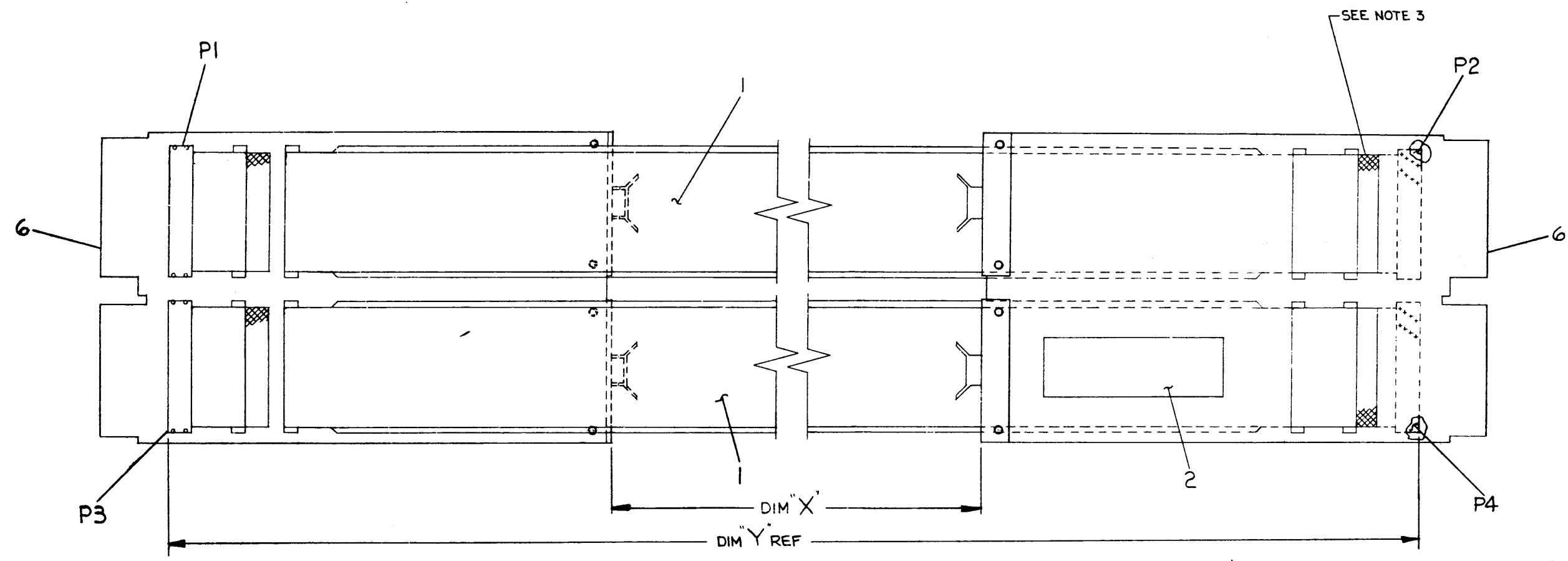
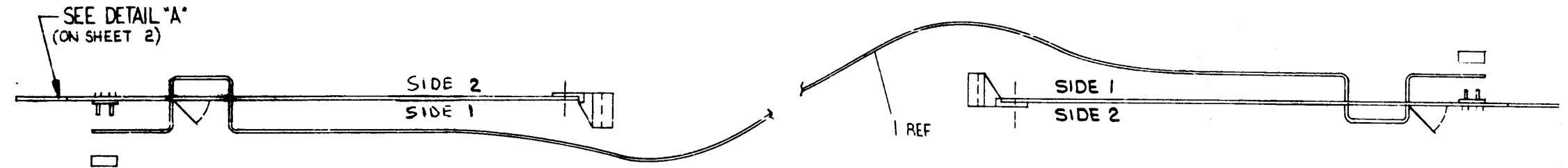
REV	CHANGE NO	DATE	BY	CHKD	APP'D
A					
B					
C					
D					
E					
F					

THE DRAWING AND SPECIFICATIONS HEREIN ARE THE PROPERTY OF DIGITAL EQUIPMENT CORPORATION AND SHALL NOT BE REPRODUCED OR COPIED OR USED IN WHOLE OR IN PART AS THE BASIS FOR THE MANUFACTURE OR SALE OF ITEMS WITHOUT WRITTEN PERMISSION.
 COMPANY: DIGITAL EQUIPMENT CORPORATION

DO NOT SCALE DRAWING

DIA BC20C-0-0 2

- NOTES:
1. TRIM & PREPARE CABLE PER DETAIL 'A' & PROCESS SPEC. # 7606485.
 2. CONN. TO BE POINT TO POINT (P1 TO P2, P3 TO P4)
 3. SHIELDS TO BE SOLDERED TO GROUND PLANES (4 PLACES)
 4. TO INSTALL CABLE USE COVER OF CONN # 1210073 (FROM SW. BOARD ASSY REF)



QTY.	DESCRIPTION	PART NO.	ITEM NO.
2	BOARD, 5 BUS CABLE	D-UA-M9006-0-0	6
2	CLAMP, CABLE	1209764	5
A/R	TAPE, DOUBLE SIDED .5 WD	9007834	4
4	EYELET	9008750	3
1	LABEL, ADHESIVE BACK	9009255	2
A/R	CABLE, 40 CONDUCTOR	1700004-00	1

FIRST USED ON OPTION/MODEL KLI0		DATE 10-8-74		
DIMENSIONAL TOLERANCE DIMENSIONS ARE MILLIMETERS INCHES UNLESS OTHERWISE SPECIFIED		DATE 12-30-74		
MILLIMETERS	INCHES	ANGLES	TITLE CONN. ASSY., S BUS	
XX.XX ±0.10	XXX ±0.005	30° 30'	DATE 1/13/75	
XX ±0.5	XX ±0.02		DATE 1/18/75	
X ±2	X ±0.1		DATE 1-19-75	
THIRD ANGLE PROJECTION	REMOVE BURRS AND BREAK SHARP CORNERS SURFACE QUALITY ✓	NEXT HIGHER ASSY.		
MATERIAL SEE PARTS LIST	FINISH --	D-UA-KLI0-0-0	SIZE CODE D IA	NUMBER BC20C-0-0
SCALE 1/1		SHEET 1 OF 2		REV. A

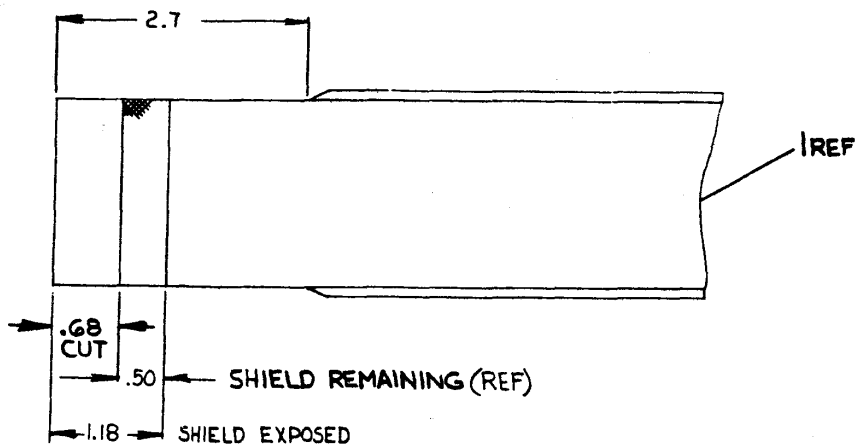
REV.	CHG. NO.	DATE	BY
A	0001	10-8-74	J. B. ...
B	0002	12-30-74	J. B. ...
C	0003	1-13-75	J. B. ...
D	0004	1-18-75	J. B. ...

REV. A
DIA BC20C-0-0

"THIS DRAWING AND SPECIFICATIONS HEREIN ARE THE PROPERTY OF DIGITAL EQUIPMENT CORPORATION AND SHALL NOT BE REPRODUCED OR COPIED OR USED IN WHOLE OR IN PART AS THE BASIS FOR THE MANUFACTURE OR SALE OF ITEMS WITHOUT WRITTEN PERMISSION. COPYRIGHT © 1974, DIGITAL EQUIPMENT CORPORATION"

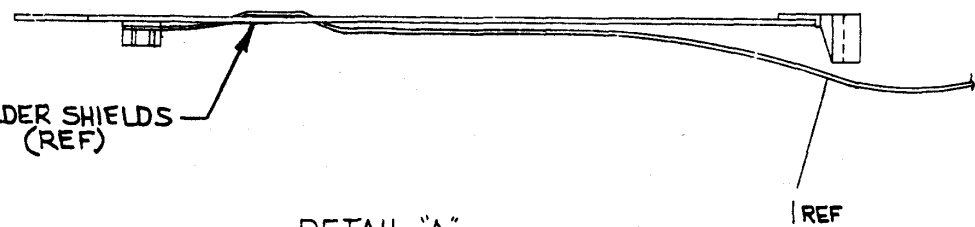
LEGEND		
NUMBER	DIM X'	DIM Y' (PRE-CUT) REF
BC20C-3C	3FT 3IN	4FT 6IN
BC20C-6C	6FT 3IN	7FT 6IN
BC20C-0K	9IN	2FT 0IN
BC20C-CI	15 IN	2FT 6IN

REMAINING SHIELD (REF)



CABLE PREPARATION
TYP. BOTH ENDS
SEE NOTE 1

SOLDER SHIELDS (REF)



DETAIL "A"

REVISIONS		
CHK	CHANGE NO	REV.

TITLE	CONN. ASSY., S BUS	SIZE CODE	DIA	NUMBER	BC20C-0-0	REV.	A
SCALE	1/1	SHEET	2 OF 2	DIST.			

DIA BC20C-0-0 A
 DIA BC20C-0-0 A

WIRE TABLE

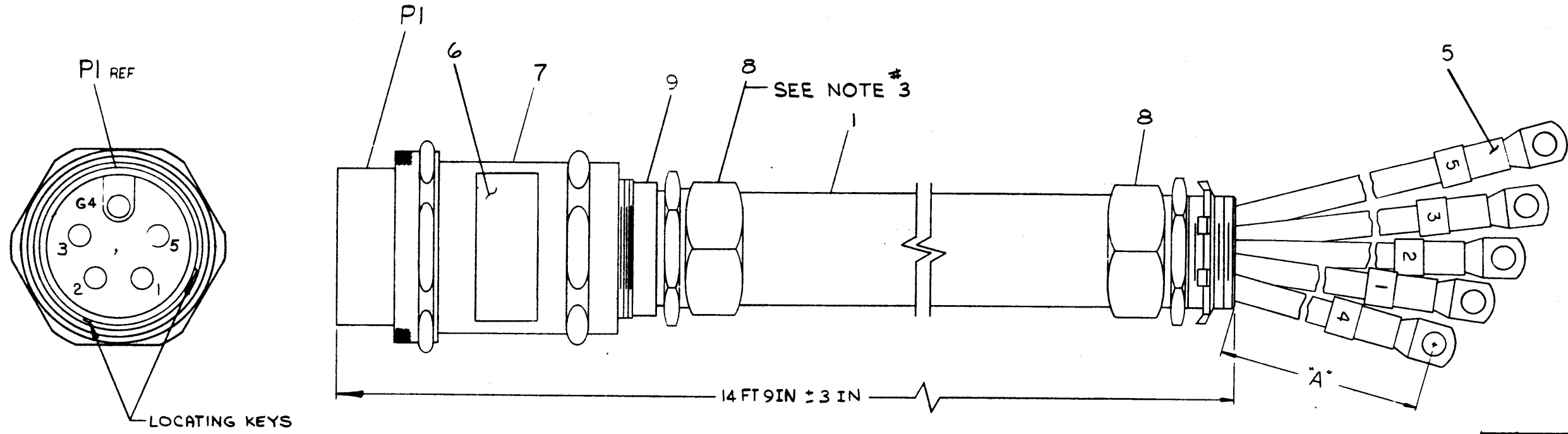
ITEM NO.	DESCRIPTION			FROM			TO			LENGTHS DIM 'A'
	AWG	COLOR	POINT	CONNECTION	TERM	POINT	CONNECTION	TERM		
3	2	BLK	—	PI-1	—	1	—	ITEM #5	6.25 IN ± .5 IN	
3	2	BLK	—	PI-2	—	2	—	ITEM #5	7.25 IN ± .5 IN	
3	2	BLK	—	PI-3	—	3	—	ITEM #5	8.25 IN ± .5 IN	
2	2	GRN	—	PI-G4	—	4	—	ITEM #5	5.25 IN ± .5 IN	
4	2	WHT	—	PI-5 (NEUT)	—	5	—	ITEM #5	9.25 IN ± .5 IN	

LEGEND

NUMBER	VARIATION
7012210-0	60 HZ

NOTES:

- LUGS (ITEM #5) TO BE LABELED WITH BRADY MARKERS.
- ITEM #7 PLUG ASSEMBLY MATES WITH RECEPTACLE ASSY #1212020 (FOR REF ONLY)
- REMOVE LOCKING NUT FROM THIS END ONLY, BEFORE ASSEMBLING.
- TIN 5 PI LEAD ENDS APPROXIMATELY .25 INCH BEFORE ASSEMBLY INTO PI CONNECTOR. SCREW TORQUE TO BE APPROXIMATELY 60 INCH-LBS.



QTY.	DESCRIPTION	PART NO.	ITEM NO.
1	BUSHING, REDUCING	1212028	9
2	CONNECTOR	1212029	8
1	PLUG, ASSY. 60 HZ	1212021-00	7
1	LABEL, ADHESIVE BACKED	9009255	6
5	LUG, TERMINAL	1211513-01	5
A/R	WIRE #2 AWG INS WHT	9107764-99	4
A/R	WIRE #2 AWG INS BLK	9107764-00	3
A/R	WIRE #2 AWG INS GRN	9107764-55	2
A/R	CONDUIT, FLEXIBLE	1212023	1

QUANTITY / VARIATION		QTY.	DESCRIPTION	PART NO.	ITEM NO.												
FIRST USED ON OPTION/MODEL																	
KLIQ-C																	
DIMENSIONAL TOLERANCE		PARTS LIST															
DIMENSIONS ARE INCHES UNLESS OTHERWISE SPECIFIED		<table border="1"> <tr> <td>DRN</td> <td>DATE</td> </tr> <tr> <td>M. G. G. G.</td> <td>20 Nov 75</td> </tr> <tr> <td>Bl. Reed</td> <td>5 DEC 75</td> </tr> <tr> <td>J. Johnson</td> <td>16 Dec 75</td> </tr> <tr> <td>K. Johnson</td> <td>16 Dec 75</td> </tr> <tr> <td>W. Johnson</td> <td>16 Dec 75</td> </tr> </table>				DRN	DATE	M. G. G. G.	20 Nov 75	Bl. Reed	5 DEC 75	J. Johnson	16 Dec 75	K. Johnson	16 Dec 75	W. Johnson	16 Dec 75
DRN	DATE																
M. G. G. G.	20 Nov 75																
Bl. Reed	5 DEC 75																
J. Johnson	16 Dec 75																
K. Johnson	16 Dec 75																
W. Johnson	16 Dec 75																
MILLIMETERS		TITLE															
X.XX ± 0.10	JOCK ± 0.05	digital															
X.X ± 0.05	JOX ± 0.02	POWER CORD ASSY (60 HZ)															
X ± 0.1	X ± 0.1	DIA 7012210-0-0															
THIRD ANGLE PROJECTION		REV.															
REMOVE BURRS AND BREAK SHARP CORNERS SURFACE QUALITY		DIA 7012210-0-0															
MATERIAL SEE PARTS LIST		DIA 7012210-0-0															
FINISH		SCALE 1/1															
		SHEET 1 OF 1															

REV.	CHANGE NO.	REVISIONS

THIS DRAWING AND SPECIFICATIONS HEREIN ARE THE PROPERTY OF DIGITAL EQUIPMENT CORPORATION AND SHALL NOT BE REPRODUCED OR COPIED OR USED IN WHOLE OR IN PART AS THE BASIS FOR THE MANUFACTURE OR SALE OF ITEMS WITHOUT WRITTEN PERMISSION. COPYRIGHT © 1975 DIGITAL EQUIPMENT CORPORATION

WIRE TABLE

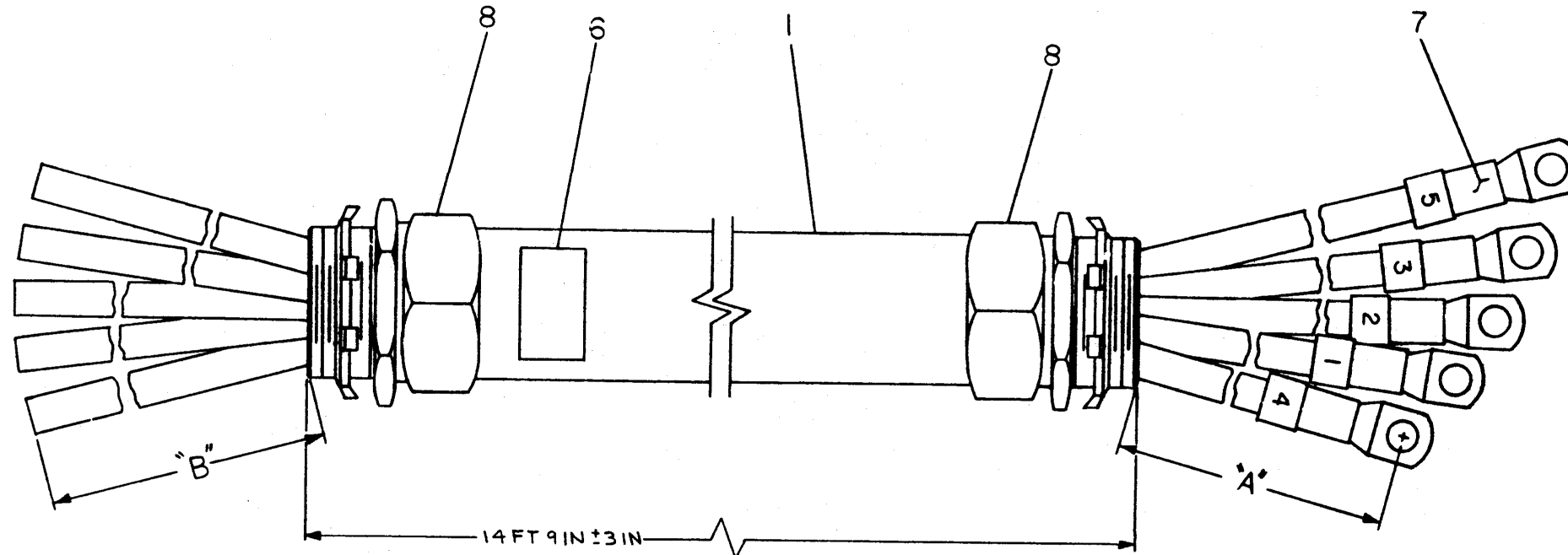
ITEM NO.	DESCRIPTION	FROM			TO			LENGTHS DIM 'A'	LENGTHS DIM 'B'
		AWG	COLOR	POINT	CONNECTION	TERM	POINT		
3	2	BLK	---	---	---	---	6.25 IN ± .5 IN	10 IN ± 1 IN	
3	2	BLK	---	---	1	---	ITEM #7	10 IN ± 1 IN	
4	2	BRN	---	---	2	---	ITEM #7	10 IN ± 1 IN	
2	2	GRN/YEL	---	---	3	---	ITEM #7	10 IN ± 1 IN	
5	2	BLU	---	---	4	---	ITEM #7	10 IN ± 1 IN	
5	2	BLU	---	---	5	---	ITEM #7	10 IN ± 1 IN	

LEGEND

NUMBER	VARIATIONS
7012275-0	50 HZ

NOTES:

- LUGS (ITEM #7) TO BE LABELED WITH BRADY MARKERS.



ITEM NO.	DESCRIPTION	DWG./PART NO.	ITEM NO.
2	CONNECTOR	1212029	8
5	LUG, TERMINAL	1211513-01	7
1	LABEL, ADHESIVE BACKED	9009255	6
AR	WIRE #2 AWG INS BLU	9107764-66	5
AR	WIRE #2 AWG INS BRN	9107764-11	4
AR	WIRE #2 AWG INS BLK	9107764-00	3
AR	WIRE #2 AWG INS GRN/YEL	9107781-54	2
AR	CONDUIT, FLEXIBLE	1212023	1

DESCRIPTION	DWG./PART NO.	ITEM NO.
UNLESS OTHERWISE SPECIFIED DIMENSIONS ARE IN INCHES		
ANGLES 30° 30'	CLASS OF ACCURACY	DECIMAL DIMENSION RANGE INCHES
SURFACE QUALITY IN	CHECK ONE	0.125 - 0.250
		0.250 - 0.500
QUANTITY & VARIATION	MICRONS	0.001 - 0.002
		0.002 - 0.005

THIRD ANGLE PROJECTION

REMOVE BURRS AND BREAK SHARP CORNERS

DO NOT SCALE DWG

MATERIAL SEE PARTS LIST

FINISH

DRN. *S. Olson* 12/17/75

CHK'D. *[Signature]* 12/17/75

ENG. *[Signature]* 12/17/75

PROJ. ENG. *[Signature]* 12/17/75

PROD. *[Signature]* 12/17/75

NEXT HIGHER ASSY.

FIRST USED ON

TITLE

POWER CORD ASSY (50 HZ)

SIZE CODE

DIA 7012275-0-0

REV. A

SHEET 1 OF 1

REV.	CHG.	DATE	BY
1	7012275-00001	A	R. MELANSON

DIGITAL EQUIPMENT CORPORATION MAYNARD, MASSACHUSETTS			QUANTITY / VARIATION							
PARTS LIST			KL10-EA	KL10-EB	KL10-EC	KL10-ED	KL10-EE	KL10-EF	KL10-EH	KL10-EJ
MADE BY	CHECKED	SECTION								
DATE	DATE	ISSUED SECT.								
ENG	PROD	ISSUED SECT.								
DATE	DATE	ISSUED SECT.								
ITEM NO.	DWG NO. / PART NO.	DESCRIPTION								
33	DKYCB	KL10 E-BOX ISOLATION ROUTINE #1	1	1						
34	DKYCC	KL10 E-BOX ISOLATION ROUTINE #2	1	1						
35	DKYDA	KL10 M-BOX MEMORY PAGING CUSP	1	1						
36	DKYDB	KL10 M-BOX CLOCK SCANOUT CUSP	1	1						
37	DKYDC	KL10 M-BOX ISOLATION ROUTINE CUSP	1	1						
38	DKYDD	KL10 PAGING CLOCK SCANOUT CUSP	1	1						
39	DKYDE	KL10 MEMORY ISOLATION ROUTINE CUSP	1	1						
40	DKYEA	KL10 CACHE CHANNEL/METER BOARD CUSP	1	1						
41	DKYEB	KL10 MCA20 CLOCK SCANOUT CUSP #1	1	1						
42	DKYEC	KL10 MCA20 CLOCK SCANOUT CUSP #2	1	1						
43	DKYED	KL10 CHANNEL CLOCK SCANOUT CUSP #1	1	1						
44	DKYEE	KL10 CHANNEL CLOCK SCANOUT CUSP #2	1	1						
45	DKYEF	KL10 METER BOARD ISOLATION ROUTINE CUSP	1	1						
46	DKYEG	KL10 BASIC INSTRUCTION CUSP #1	1	1						
47	DKYEH	KL10 BASIC INSTRUCTION CUSP #2	1	1						
48	DKYEI	KL10 BASIC INSTRUCTION CUSP #3	1	1						
49	DKYEJ	KL10 BASIC INSTRUCTION CUSP #4	1	1						
50	DKYEK	KL10 BASIC INSTRUCTION RELIABILITY CUSP	1	1						
51	DKYEL	KL10 ADVANCED INSTRUCTION CUSP	1	1						
52	DKYEM	KL10 CPU/BI MEMORY RELIABILITY CUSP	1	1						
53	DKYEN	KL10 CPU PAGING/MONITOR CUSP & USER MODE CUSP	1	1						

DEC FORM DEC 16 (325)-1031-N870
DRA 110

DIGITAL EQUIPMENT CORPORATION MAYNARD, MASSACHUSETTS			QUANTITY / VARIATION							
PARTS LIST			KL10-EA	KL10-EB	KL10-EC	KL10-ED	KL10-EE	KL10-EF	KL10-EH	KL10-EJ
MADE BY	CHECKED	SECTION								
DATE	DATE	ISSUED SECT.								
ENG	PROD	ISSUED SECT.								
DATE	DATE	ISSUED SECT.								
ITEM NO.	DWG NO. / PART NO.	DESCRIPTION								
66	ER00004 ***	LP05 PRINT SET & MANUFLS (VOL 2)	1	1						
67	ER00003 ***	LP05 PRINT SET & MANUALS (VOL 1)	1	1						
68	A-PL-KL10-E-KIT	HARDWARE KIT	1	1						
69	2T101-PR	KLAD 24 DIAGNOSTIC KIT (RP04)	A/RA/R							
70	2T102-PL	KLAD 24 DIAGNOSTIC KIT (RP06)	A/RA/R							
71	2T101-PR	KLAD 10 DIAGNOSTIC KIT (RP04)	A/RA/R							
72	2T102-PL	KLAD 10 DIAGNOSTIC KIT (RP06)	A/RA/R							
73	MP00622	MF20 PRINT SET								
74	AJ-D084*-YD	10 DIAGNOSTIC KLAD PACK (RP04)			A/RA/R				A/RA/R	
75	AJ-D085*-YD	20 DIAGNOSTIC KLAD PACK (RP04)	A/RA/R						A/RA/R	
76	AW-D086*-YD	10 DIAGNOSTIC KLAD PACK (RP06)			A/RA/R				A/RA/R	
77	AW-D087*-YD	20 DIAGNOSTIC KLAD PACK (RP06)	A/RA/R						A/RA/R	
78	EK-OKL10-MP-001	KL10 CLOCK DIAGRAMS	1	1	1	1	1	1	1	1
79	LA120-DA	LA120-BA W/H7150 UNIVERSAL POWER SUPPLY	1	1	1	1	1	1	1	1
80	LA12X-AL	LA120 20 MA OPTION	1	1	1	1	1	1	1	1
81	MP00629	RX02 PRINT SET	1	1						
82	MP0RXII	RXII PRINT SET	1	1						

DEC FORM DEC 16 (325)-1031-N870
DRA 110

DIGITAL EQUIPMENT CORPORATION MAYNARD, MASSACHUSETTS			QUANTITY / VARIATION							
PARTS LIST			KL10-EA	KL10-EB	KL10-EC	KL10-ED	KL10-EE	KL10-EF	KL10-EH	KL10-EJ
MADE BY	CHECKED	SECTION								
DATE	DATE	ISSUED SECT.								
ENG	PROD	ISSUED SECT.								
DATE	DATE	ISSUED SECT.								
ITEM NO.	DWG NO. / PART NO.	DESCRIPTION								
1	MP00300	KL10-E PRINT SET	1	1	1	1				
2	MP00301	KL10-PV PRINT SET	1	1	1	1				
3	MP00179	MB20 PRINT SET	1	1	1	1				
4	B-DD-11/40-0	11/40 PRINT SET	1	1	1	1				
5	EKR01-MM	RX01/RH11 PRINT SET AND MANUALS	1	1	1	1				
6	B-DD-RH11-0	RH11 PRINT SET	1	1	1	1				
7	B-DD-DD11-8	DD11-A PRINT SET	1	1	1	1				
8	MP00008	DC20 PRINT SET	1	1	1	1				
9	MP00007 ***	LP20 PRINT SET	1	1	1	1				
10	MP00006 ***	CD20 PRINT SET	1	1	1	1				
11	ER00001 ***	CR04/M200 PRINT SET & MANUALS	1	1	1	1				
12	ER00002 ***	CR04/M1200 PRINT SET & MANUALS	1	1	1	1				
13	DKYCB	KL10 E-BOX ISOLATION ROUTINE #1	1	1	1	1				
14	MD-10-DJYAA*-YB	2040 FRONT END CPU CUSP #1	1	1	1	1				
15	MD-10-DJYAB*-YB	2040 FRONT END CPU CUSP #2	1	1	1	1				
16	MD-10-DJYAC*-YB	2040 FRONT END DISK CONTROL CUSP #1	1	1	1	1				
17	MD-10-DJYAD*-YB	2040 FRONT END DISK CONTROL CUSP #2	1	1	1	1				
18	MD-10-DJYBA*-YB	2040 FRONT END DEC X/11 EXERCISOR CUSP	1	1	1	1				
19	MD-10-DGYAA*-YB	KL10 CONSOLE MONITOR CUSP	1	1	1	1				
20	MD-10-DGYBA*-YB	KL10 SYSTEM CUSP DISKETTE #1	1	1	1	1				
21	MD-10-DGYBB*-YB	KL10 SYSTEM CUSP DISKETTE #2	1	1	1	1				
22	MD-10-DKYCA*-YB	KL0 DTE20 & E-BOX CUSP DISKETTE	1	1	1	1				

DEC FORM DEC 16 (325)-1031-N870

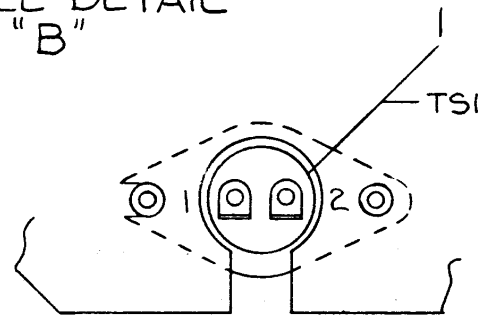
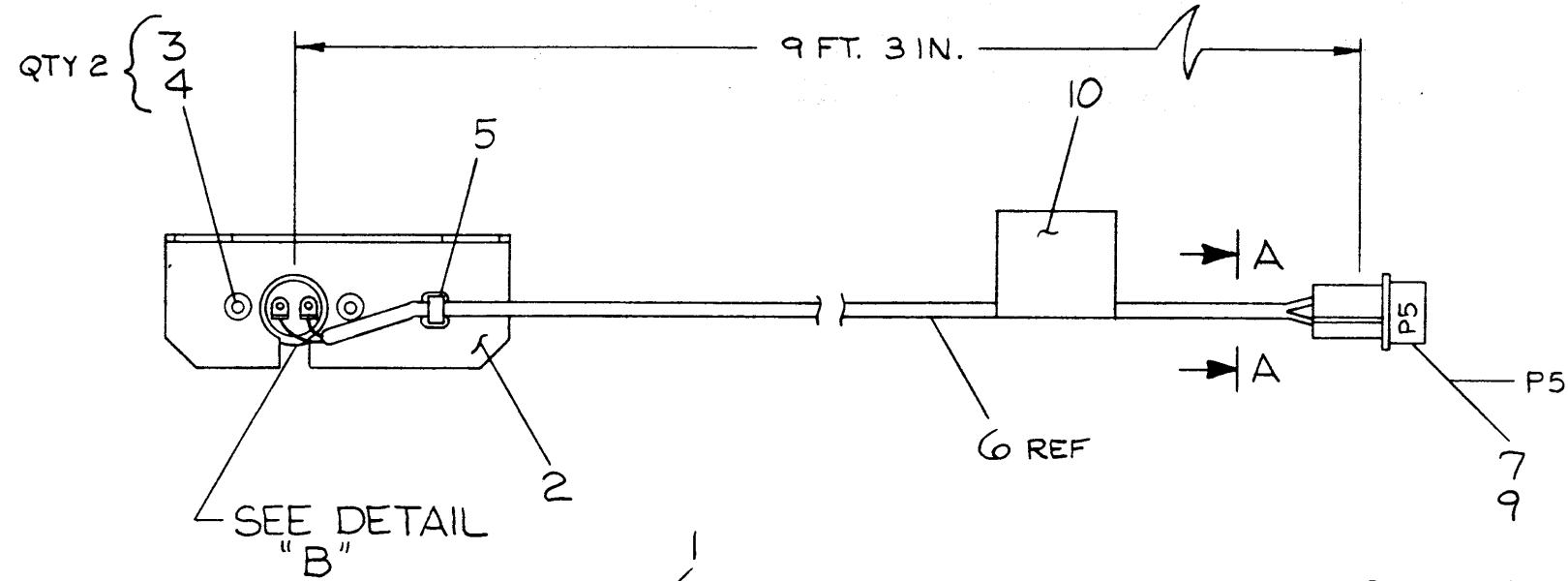
DIGITAL EQUIPMENT CORPORATION MAYNARD, MASSACHUSETTS			QUANTITY / VARIATION							
PARTS LIST			KL10-EA	KL10-EB	KL10-EC	KL10-ED	KL10-EE	KL10-EF	KL10-EH	KL10-EJ
MADE BY	CHECKED	SECTION								
DATE	DATE	ISSUED SECT.								
ENG	PROD	ISSUED SECT.								
DATE	DATE	ISSUED SECT.								
ITEM NO.	DWG NO. / PART NO.	DESCRIPTION								
44	DKYCB	KL10 INSTRUCTION TIMING & I/O BUS CUSP	1	1						
45	MD-10-DHYKF*-YB	KL10 FUNCTIONAL DTE20 INTERFACE CUSP	1	1	1	1				
46	DKYEA	PDP-10 MEMORY DIAGNOSTIC CUSP	1	1						
47	DKYEA	KL10 BASIC DEVICE DIAGNOSTIC CUSP	1	1						
48	DKYEB	KL10 BASIC DEVICE DIAGNOSTIC CUSP	1	1						
49	DKYDA	KL10 PERIPHERAL DIAGNOSTIC CUSP	1	1						
50	DKYDB	KL10 PERIPHERAL DIAGNOSTIC CUSP	1	1						
51	DKYDC	KL10 FAULT ISOLATION CUSP	1	1						
52	DKYEC	PDP-10 MASSBUS ROTATING MEMORY	1	1						
53	DKYCC	KL10 2040 SYSTEM EXERCISOR CUSP	1	1						
54	3012558-1	MICROFICHE READER	1		1					
55	3012558-2	MICROFICHE READER	1		1					
56	MP00056	RH20 PRINT SET	1	1	1	1				
57	3612408	FLOPPY DISK	2	2	2	2	2	2	2	2
58	H315-A	TESTER H315-A	2	2	2	2	2	2	2	2
59	H861	TEST CONNECTOR DM11-B	1	1	1	1				
60	H8611 **	CONN DATA TURN AROUND	2	2	2	2	2	2	2	2
61	LA36-CB	TELETYPE LA36-CB (1150,50HZ)	1		1					
62	LA36-CP	TELETYPE LA36-CP (2200,50HZ)	1		1					
63	LA36-CH	TELETYPE LA36-CH (1150,50HZ)	1		1					
64	LA36-CB	TELETYPE LA36-CB (2200,50HZ)	1		1					
65	B-DD-BM873-YA	BM873-YA PRINT SET	1	1	1	1				

DEC FORM DEC 16 (325)-1031-N870

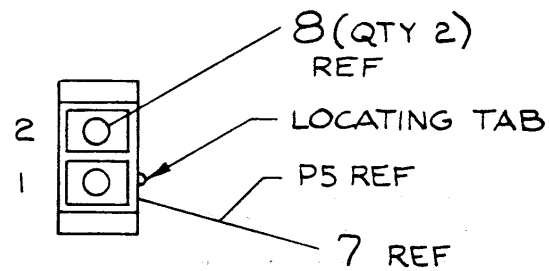
"THIS DRAWING AND SPECIFICATIONS, HEREIN, ARE THE PROPERTY OF DIGITAL EQUIPMENT CORPORATION AND SHALL NOT BE REPRODUCED OR COPIED OR USED IN WHOLE OR IN PART AS THE BASIS FOR THE MANUFACTURE OR SALE OF ITEMS WITHOUT WRITTEN PERMISSION. COPYRIGHT © 1980 DIGITAL EQUIPMENT CORPORATION"

WIRE TABLE

ITEM NO	DESCRIPTION		FROM		TO	
	AWG	COLOR	CONN	WITH	CONN	WITH
6	22	YEL	TS1-1	SOLDER	P5-2	ITEM 8
		BLK	TS1-2	SOLDER	P5-1	ITEM 8



DETAIL "B"
SCALE: NONE



VIEW A-A
PIN INSERTION SIDE
SCALE: NONE

CAUTION: OFF SHEET PARTS LIST EXISTS
SEE K-PL-7017572-0-DBP

REV. A
NUMBER 7017572-0-0
DATE CODE CIA

REV.	CHANGE NO.

DESCRIPTION	DWG./PART NO.	ITEM NO.
UNLESS OTHERWISE SPECIFIED DIMENSIONS ARE IN INCHES		
ANGLES ±0° 30'	CLASS OF ACCURACY (CHECK ONE)	NOMINAL DIMENSION RANGE INCHES
SURFACE QUALITY IN MICROINCHES	MEDIUM <input type="checkbox"/>	OVER 0 TO 0.2 ±.004
	PREFERRED <input checked="" type="checkbox"/>	OVER 0.2 TO 1.2 ±.008
QUANTITY & VARIATION		OVER 1.2 TO 4.0 ±.012
		OVER 4.0 TO 12.0 ±.016
		OVER 12.0 TO 40.0 ±.024
		OVER 40.0 TO 80.0 ±.04
		OVER 80.0 TO ±.04
THIRD ANGLE PROJECTION	DRN <i>Jim Richard</i> 28 APR 80	FIRST USED ON
REMOVE BURRS AND BREAK SHARP CORNERS	CHK'D <i>J. M. Huson</i> 2 MAR 80	KL10-E
DO NOT SCALE DWG	ENG. <i>P. J. Porecca</i> 2 JUN 80	TITLE
	PROJ. ENG. <i>P. Porecca</i> 2 JUN 80	ASSY, THERMAL SWITCH
	PROD. <i>...</i> 2 JUN 80	
MATERIAL SEE PARTS LIST	D-UA-KL10-E-0	SIZE CODE
FINISH	SCALE 1/1	C IA
	SHEET 1 OF 1	NUMBER
		7017572-0-0
		REV. A

LINE ITEM	DOCUMENT NUMBER	PART NUMBER	DESCRIPTION	QUANTITY PER VARIATION
				00
1		1214582=00	THERMOSTAT, SPST, HERMETIC SEAL	1
2	C-IA-7423855=0=0	7423855=00	BRACKET, THERMAL SWITCH	1
3		9008301=01	SCREW, PAN, PHIL 4-40X 1/4 SS	2
4		9006632=00	WASHER, LOCK, INT, .2600D X .120ID	2
5		9007031=00	TIE, CABLE BUNDL, DIA 0= 3/4"=101	1
6		9107420=04	WIRE, STRND, 22AWG, IPVC (UL1429) T	A/R
7		1210822=02	MATE=N=LOK 2POS COMM HSG, PIN	1
8		1209378=03	MATE=N=LOK PIN COMM 30=22AWG STR	2
9	A-DC-7409872=0=0	7409872=02	DECAL PWR HARNESS [BLK/CLR]	1
10		3616073=00	LABEL, CABLE IDENTIFICATION	1

REVISION HISTORY			BASIC PART NO: 7017572			DIGITAL							
ENG	ECO NUMBER	REV	SECTION A OF A	DRN	JIM SICARD	DATE	24-OCT-80						
---	INITIAL	A	SECTION, VARIATION INDEX	CHK'D	J. HUSON	DATE	2-MAY-80	TITLE				PARTS LIST	
			(A) 00					ASSY, THERMAL SWITCH					
			(B)	DES, ENG, :	P, PORRECA	DATE:	2-JUN-80						
			(C)	RESP, ENG, :	P, PORRECA	DATE:	2-JUN-80	DOCUMENT NUMBER					
			(D)					SIZE	CODE	NUMBER	REV		
			(E)	MFG, ENG, :	J, MCCAFFERY	DATE:	7-NOV-80	K	PL	7017572=0=DBP	A		
			(F)	ASSEMBLY NUMBER:	C-IA-7017572=0=0	TOP DOCUMENT NUMBER:	B-DD-KL10-E	FILE NAME:	21697A, PLS	EDIT #	3		

*THIS DRAWING AND SPECIFICATIONS HEREIN, ARE THE PROPERTY OF DIGITAL EQUIPMENT CORPORATION AND SHALL NOT BE REPRODUCED OR COPIED OR USED IN WHOLE OR IN PART AS THE BASIS FOR THE MANUFACTURE OR SALE OF ITEMS WITHOUT WRITTEN PERMISSION, COPYRIGHT (C) 1980, DIGITAL EQUIPMENT CORPORATION *

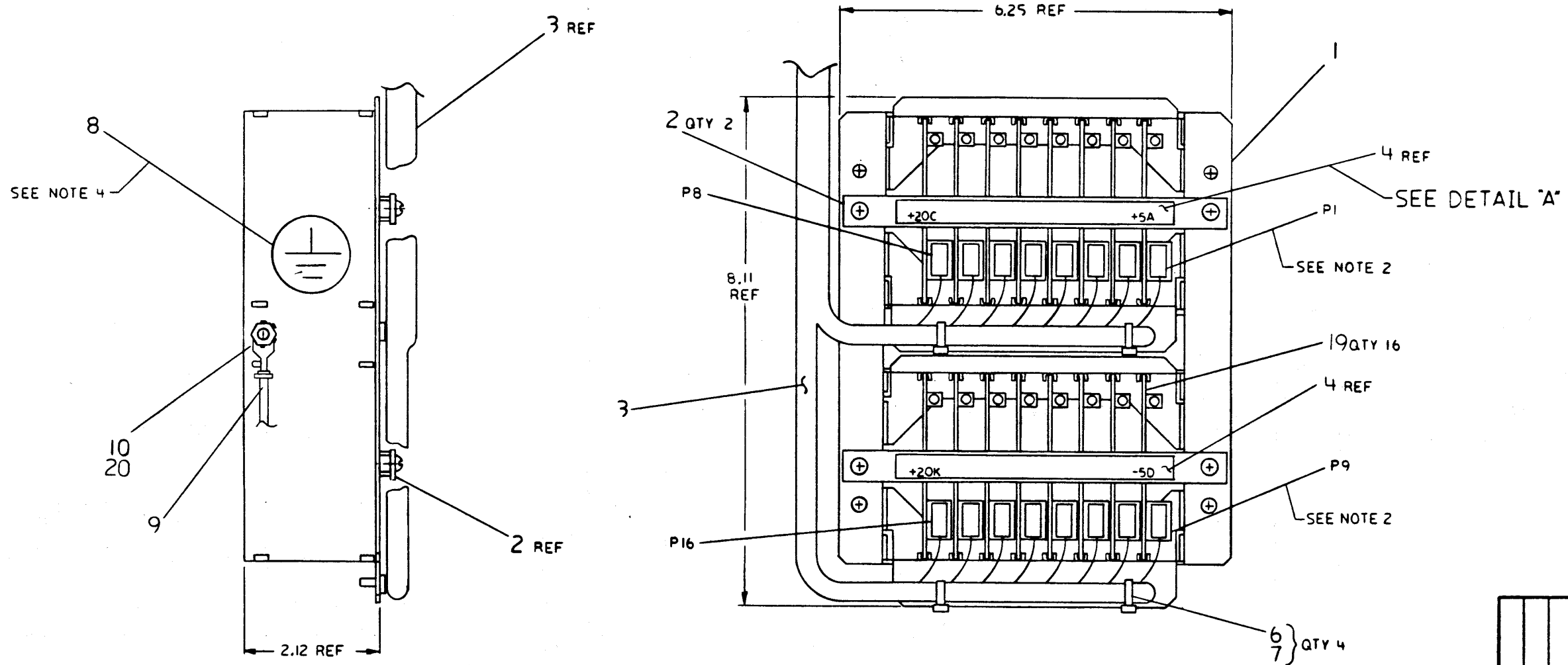
"THIS DRAWING AND SPECIFICATIONS, HEREIN, ARE THE PROPERTY OF DIGITAL EQUIPMENT CORPORATION AND SHALL NOT BE REPRODUCED OR COPIED OR USED IN WHOLE OR IN PART AS THE BASIS FOR THE MANUFACTURE OR SALE OF ITEMS WITHOUT WRITTEN PERMISSION. COPYRIGHT © 1980, DIGITAL EQUIPMENT CORPORATION"

LEGEND	
PART NO.	VARIATION
7018287-00	USES 5414506-00 (NOT USED)
7018287-01	USES 5414506-01

- NOTES:**
1. PEEL OFF STRIPS 3 & 4 OF LABEL (ITEM #4) AND LOCATE AS SHOWN ON FRONT PLATE (ITEM #2)
 2. INSTALL HARNESS CONNECTORS P1 THRU P8 AS SHOWN TO TOP ROW OF VOLTAGE MONITOR BOARD (ITEM #19); INSTALL HARNESS CONNECTORS P9 THRU P16 AS SHOWN TO BOTTOM ROW OF VOLTAGE MONITOR BOARD (ITEM #19).
 3. ITEM #18, 12, 13, 14, 15, 17 & 8 (QTY 1) ARE SHIPPED LOOSE PIECE AND USED FOR INSTALLATION. FOR INSTALLATION PROCEDURE SEE A-SP-7018287-0-1. SEE ITEM #11 FOR PACKAGING KIT.
 4. GROUND DECAL (ITEM #8) IS USED BOTH AT ASSEMBLY AND AT INSTALLATION. ONE IS TO BE SHIPPED PER NOTE 3.

+5J	+5A	1
	+5K	2
+20C	+5A	3
+20K	-5D	4

DETAIL 'A'
SCALE: 1/1



CAUTION: OFF SHEET PARTS LIST EXISTS
SEE K-PL-7018287-0-DBP

REV.	CHANGE NO.	DATE	BY	CHKD.
B		11/10/80	BRUCE HEAVER	
A		03 MAR 82	BRUCE HEAVER	

QUANTITY & VARIATION	DESCRIPTION	DWG./PART NO.	ITEM NO.
	UNLESS OTHERWISE SPECIFIED DIMENSIONS ARE IN INCHES		
	ANGLES 18° 30'	CLASS OF ACCURACY (CHECK ONE)	NOMINAL DIMENSION RANGE INCHES
			OVER 0 TO 0.25
			OVER 0.25 TO 4.0
			OVER 4.0 TO 12.0
			OVER 12.0 TO 40.0
			OVER 40.0 TO 80.0
			OVER 80.0 TO 160.0
			OVER 160.0 TO 320.0
			OVER 320.0 TO 640.0
			OVER 640.0 TO 1280.0
			OVER 1280.0 TO 2560.0
			OVER 2560.0 TO 5120.0
			OVER 5120.0 TO 10240.0
			OVER 10240.0 TO 20480.0
			OVER 20480.0 TO 40960.0
			OVER 40960.0 TO 81920.0
			OVER 81920.0 TO 163840.0
			OVER 163840.0 TO 327680.0
			OVER 327680.0 TO 655360.0
			OVER 655360.0 TO 1310720.0
			OVER 1310720.0 TO 2621440.0
			OVER 2621440.0 TO 5242880.0
			OVER 5242880.0 TO 10485760.0
			OVER 10485760.0 TO 20971520.0
			OVER 20971520.0 TO 41943040.0
			OVER 41943040.0 TO 83886080.0
			OVER 83886080.0 TO 167772160.0
			OVER 167772160.0 TO 335544320.0
			OVER 335544320.0 TO 671088640.0
			OVER 671088640.0 TO 1342177280.0
			OVER 1342177280.0 TO 2684354560.0
			OVER 2684354560.0 TO 5368709120.0
			OVER 5368709120.0 TO 10737418240.0
			OVER 10737418240.0 TO 21474836480.0
			OVER 21474836480.0 TO 42949672960.0
			OVER 42949672960.0 TO 85899345920.0
			OVER 85899345920.0 TO 171798691840.0
			OVER 171798691840.0 TO 343597383680.0
			OVER 343597383680.0 TO 687194767360.0
			OVER 687194767360.0 TO 1374389534720.0
			OVER 1374389534720.0 TO 2748779069440.0
			OVER 2748779069440.0 TO 5497558138880.0
			OVER 5497558138880.0 TO 10995116277760.0
			OVER 10995116277760.0 TO 21990232555520.0
			OVER 21990232555520.0 TO 43980465111040.0
			OVER 43980465111040.0 TO 87960930222080.0
			OVER 87960930222080.0 TO 175921860444160.0
			OVER 175921860444160.0 TO 351843720888320.0
			OVER 351843720888320.0 TO 703687441776640.0
			OVER 703687441776640.0 TO 1407374883553280.0
			OVER 1407374883553280.0 TO 2814749767106560.0
			OVER 2814749767106560.0 TO 5629499534213120.0
			OVER 5629499534213120.0 TO 11258999068426240.0
			OVER 11258999068426240.0 TO 22517998136852480.0
			OVER 22517998136852480.0 TO 45035996273704960.0
			OVER 45035996273704960.0 TO 90071992547409920.0
			OVER 90071992547409920.0 TO 180143985094819840.0
			OVER 180143985094819840.0 TO 360287970189639680.0
			OVER 360287970189639680.0 TO 720575940379279360.0
			OVER 720575940379279360.0 TO 1441151880758558720.0
			OVER 1441151880758558720.0 TO 2882303761517117440.0
			OVER 2882303761517117440.0 TO 5764607523034234880.0
			OVER 5764607523034234880.0 TO 11529215046068469760.0
			OVER 11529215046068469760.0 TO 23058430092136939520.0
			OVER 23058430092136939520.0 TO 46116860184273879040.0
			OVER 46116860184273879040.0 TO 92233720368547758080.0
			OVER 92233720368547758080.0 TO 184467440737095516160.0
			OVER 184467440737095516160.0 TO 368934881474191032320.0
			OVER 368934881474191032320.0 TO 737869762948382064640.0
			OVER 737869762948382064640.0 TO 1475739525896764129280.0
			OVER 1475739525896764129280.0 TO 2951479051793528258560.0
			OVER 2951479051793528258560.0 TO 5902958103587056517120.0
			OVER 5902958103587056517120.0 TO 11805916207174113034240.0
			OVER 11805916207174113034240.0 TO 23611832414348226068480.0
			OVER 23611832414348226068480.0 TO 47223664828696452136960.0
			OVER 47223664828696452136960.0 TO 94447329657392904273920.0
			OVER 94447329657392904273920.0 TO 188894659314785808547840.0
			OVER 188894659314785808547840.0 TO 377789318629571617095680.0
			OVER 377789318629571617095680.0 TO 755578637259143234191360.0
			OVER 755578637259143234191360.0 TO 1511157274518286468382720.0
			OVER 1511157274518286468382720.0 TO 3022314549036572936765440.0
			OVER 3022314549036572936765440.0 TO 6044629098073145873530880.0
			OVER 6044629098073145873530880.0 TO 12089258196146291747061760.0
			OVER 12089258196146291747061760.0 TO 24178516392292583494123520.0
			OVER 24178516392292583494123520.0 TO 48357032784585166988247040.0
			OVER 48357032784585166988247040.0 TO 96714065569170333976494080.0
			OVER 96714065569170333976494080.0 TO 193428131138340667952988160.0
			OVER 193428131138340667952988160.0 TO 386856262276681335905976320.0
			OVER 386856262276681335905976320.0 TO 773712524553362671811952640.0
			OVER 773712524553362671811952640.0 TO 1547425049106725343623905280.0
			OVER 1547425049106725343623905280.0 TO 3094850098213450687247810560.0
			OVER 3094850098213450687247810560.0 TO 6189700196426901374495621120.0
			OVER 6189700196426901374495621120.0 TO 12379400392853802748991242240.0
			OVER 12379400392853802748991242240.0 TO 24758800785707605497982484480.0
			OVER 24758800785707605497982484480.0 TO 49517601571415210995964968960.0
			OVER 49517601571415210995964968960.0 TO 99035203142830421991929937920.0
			OVER 99035203142830421991929937920.0 TO 198070406285660843983859875840.0
			OVER 198070406285660843983859875840.0 TO 396140812571321687967719751680.0
			OVER 396140812571321687967719751680.0 TO 792281625142643375935439503360.0
			OVER 792281625142643375935439503360.0 TO 1584563250285286751870879006720.0
			OVER 1584563250285286751870879006720.0 TO 3169126500570573503741758013440.0
			OVER 3169126500570573503741758013440.0 TO 6338253001141147007483516026880.0
			OVER 6338253001141147007483516026880.0 TO 12676506002282294014967032053760.0
			OVER 12676506002282294014967032053760.0 TO 25353012004564588029934064107520.0
			OVER 25353012004564588029934064107520.0 TO 50706024009129176059868128215040.0
			OVER 50706024009129176059868128215040.0 TO 101412048018258352119736256430080.0
			OVER 101412048018258352119736256430080.0 TO 202824096036516704239472512860160.0
			OVER 202824096036516704239472512860160.0 TO 405648192073033408478945025720320.0
			OVER 405648192073033408478945025720320.0 TO 811296384146066816957890051440640.0
			OVER 811296384146066816957890051440640.0 TO 162259276829213363915778001289280.0
			OVER 162259276829213363915778001289280.0 TO 324518553658426727831556002578560.0
			OVER 324518553658426727831556002578560.0 TO 649037107316853455663112005157120.0
			OVER 649037107316853455663112005157120.0 TO 12980742146337071113262240103114240.0
			OVER 12980742146337071113262240103114240.0 TO 2596148429267414222652480206228480.0
			OVER 2596148429267414222652480206228480.0 TO 5192296858534828445304960412456960.0
			OVER 5192296858534828445304960412456960.0 TO 10384593717069656910609920824913920.0
			OVER 10384593717069656910609920824913920.0 TO 20769187434139313821211841649827840.0
			OVER 20769187434139313821211841649827840.0 TO 4153837486827862764242368329965680.0
			OVER 4153837486827862764242368329965680.0 TO 8307674973655725528484736659931360.0
			OVER 8307674973655725528484736659931360.0 TO 16615349947311451056969473319862720.0
			OVER 16615349947311451056969473319862720.0 TO 33230699894622902113938946639725440.0
			OVER 33230699894622902113938946639725440.0 TO 66461399789245804227877893279450880.0
			OVER 66461399789245804227877893279450880.0 TO 132922799578491608455755786558911680.0
			OVER 132922799578491608455755786558911680.0 TO 265845599156983216911511533117823360.0
			OVER 265845599156983216911511533117823360.0 TO 531691198313966433823023066235647040.0
			OVER 531691198313966433823023066235647040.0 TO 1063382396627932867646046132471281920.0
			OVER 1063382396627932867646046132471281920.0 TO 2126764793255865735292092264942563840.0
			OVER 2126764793255865735292092264942563840.0 TO 42535295865117314705841845298851277680.0
			OVER 42535295865117314705841845298851277680.0 TO 8507059173023462941168368559770255520.0
			OVER 8507059173023462941168368559770255520.0 TO 17014118346046925882336737119540111040.0
			OVER 17014118346046925882336737119540111040.0 TO 34028236692093851764673474239080222080.0
			OVER 34028236692093851764673474239080222080.0 TO 68056473384187703529346948478160444160.0
			OVER 68056473384187703529346948478160444160.0 TO 136112946768375407058693896956320888320.0
			OVER 136112946768375407058693896956320888320.0 TO 2722258935367508141173877939126417776640.0
			OVER 2722258935367508141173877939126417776640.0 TO 544451787073501628234775587825235553280.0
			OVER 544451787073501628234775587825235553280.0 TO 1088903574147003256469551175650471106560.0
			OVER 1088903574147003256469551175650471106560.0 TO 2177807148294006512939102351300942213120.0
			OVER 2177807148294006512939102351300942213120.0 TO 4355614296588013025878204702601884426240.0
			OVER 4355614296588013025878204702601884426240.0 TO 871122859317602605175640940520376885280.0
			OVER 8711228593

LINE	ITEM	DOCUMENT NUMBER	PART NUMBER	DESCRIPTION	QUANTITY PER VARIATION	
					00	01
1	1	D-IA-7018180-0-0	7018180-00	WELDMENT,CARD CAGE	1	1
2	2	C-IA-7424854-0-0	7424854-00	PLATE,FRONT	2	2
3	3	J-IA-7018284-0-0	7018284-00	HARNESS MEMORY DC MONITOR	1	1
4	4		3617588-00	LABEL,DCV MONITOR	1	1
5	5		5414506-00	VOLTAGE MONITOR BOARD	15	-
6	6		9007867-00	MOUNT, PUSH,CABLE TIE	4	4
7	7		9007031-00	TIE,CABLE BUNDL.DIA 0- 3/4"=101	4	4
8	8		3613272-00	LABEL,ADH BACK,MYLAR CAP	2	2
9	9		1213756-12	GROUND STRAP	1	1
10	10		9006563-00	NUT,KEP 8-32X 11/13AF	1	1
11	11		3700599-00	PKG KIT DC VOLTAGE MONITOR	1	1
12	12		9007786-00	RETAINER, J-NUT, 10-32	2	2
13	13		9006073-03	SCREW,TRUS,PHIL, 10-32X 1/2	3	3
14	14		9007651-00	WASHER, LOCK, EXTERNAL TOOTH #10	4	4
15	15		9006565-00	NUT,KEP 10-32X 3/8 AF	1	1
16	16	A-SP-7018287-0-1	7018287-00	MONITOR DC VOLT MEMORY ASSY.	REF	REF
17	17		9007033-00	TIE,CABLE BUNDL.DIA 0-1-3/4"=101	2	2
18	18		9007032-00	TIE,CABLE BUNDL.DIA 0-1-3/4"=101	25	25
19	19		5414506-01	VOLTAGE, MONITOR BOARD	-	16
20	20		9008151-00	WASHER, LOCK, EXT. TOOTH #8	1	1

REVISION HISTORY			BASIC PART NO: 7018287		DRN: JIM SICARD		DATE: 30-JUN-80		INITIAL	
ENG	ECO NUMBER	REV	SECTION A OF A	CHK'D:	J. HUSON	DATE:	17-JUL-80	TITLE	PARTS LIST	
---	INITIAL	A	SECTION. VARIATION INDEX					ASSY,DC VOLTAGE MONITOR MEMORY		
WB	KL10-E-MR017	B	CAJ 00,01							
			[B]	DES.ENG.:	P. PORRECA	DATE:	17-JUL-80			
			[C]	RESP.ENG.:	P. PORRECA	DATE:	17-JUL-80	DOCUMENT NUMBER		
			[D]					SIZE CODE NUMBER	REV	
			[E]	IMG.ENG.:	M. CAPPELLO	DATE:	12-SEP-80	K PL	7018287-0-03P	B
			[F]	ASSEMBLY NUMBER:		TDP DOCUMENT NUMBER:		FILE NAME:	EDIT #	
				D-AD-7018287-0-0		D-UA-KL10-E-0		Z11688.PLS	4	

"THIS DRAWING AND SPECIFICATIONS HEREIN, ARE THE PROPERTY OF DIGITAL EQUIPMENT CORPORATION AND SHALL NOT BE REPRODUCED OR COPIED OR USED IN WHOLE OR IN PART AS THE BASIS FOR THE MANUFACTURE OR SALE OF ITEMS WITHOUT WRITTEN PERMISSION. COPYRIGHT (C) 1982. DIGITAL EQUIPMENT CORPORATION"

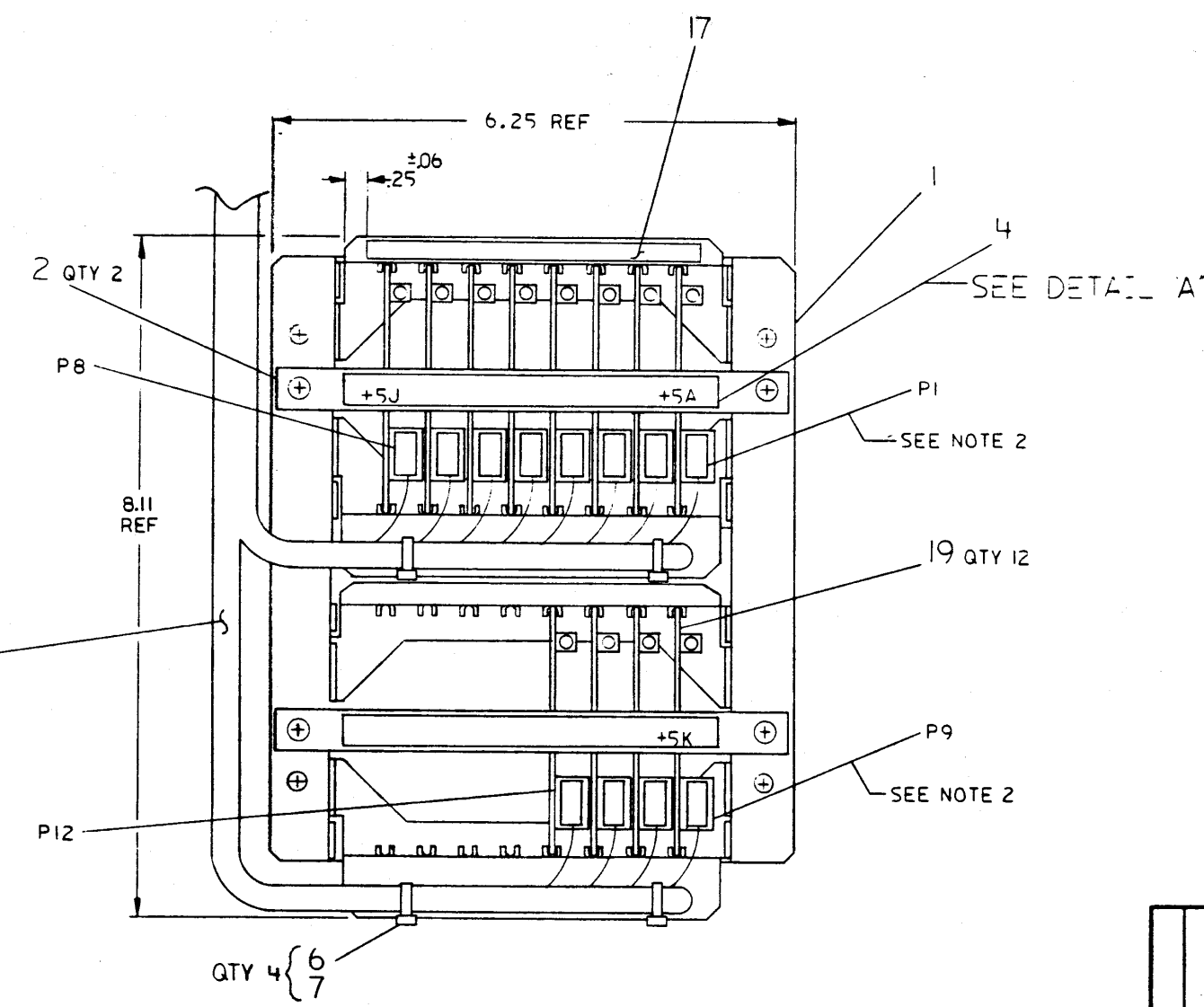
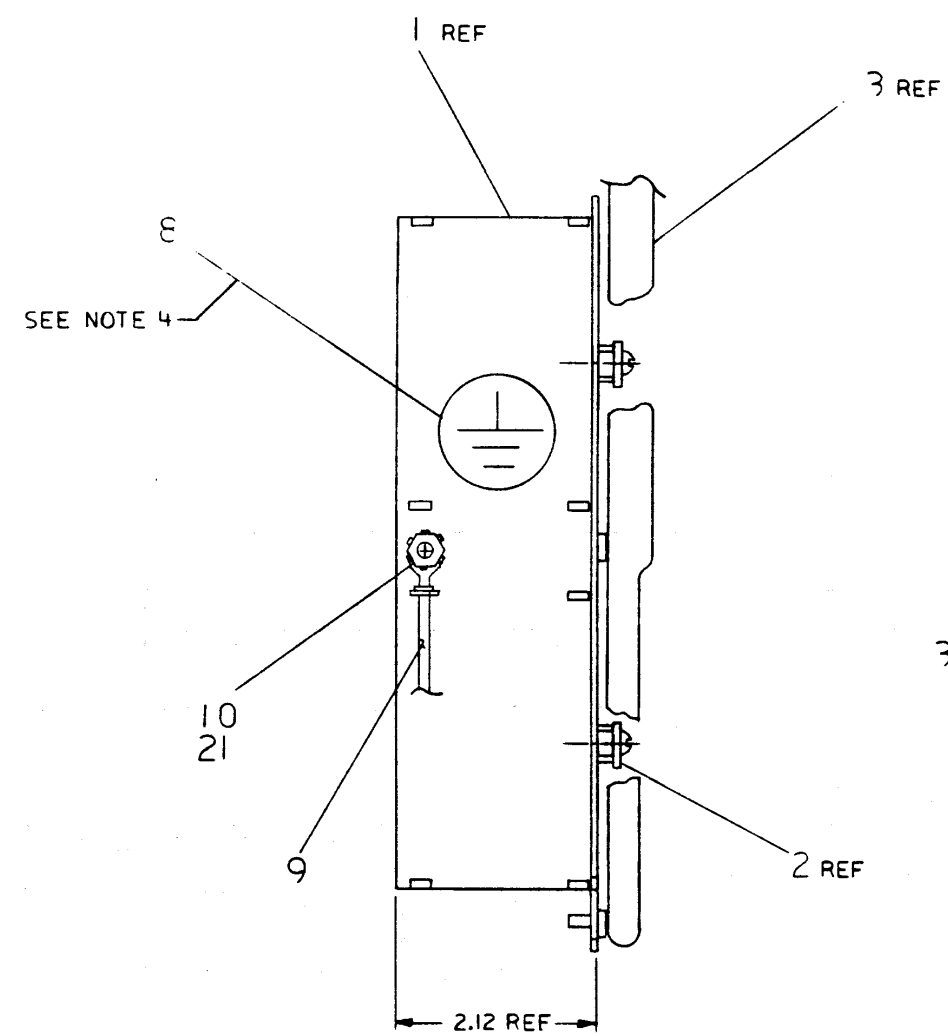
THIS DRAWING AND SPECIFICATIONS, HEREIN, ARE THE PROPERTY OF DIGITAL EQUIPMENT CORPORATION AND SHALL NOT BE REPRODUCED OR COPIED OR USED IN WHOLE OR IN PART AS THE BASIS FOR THE MANUFACTURE OR SALE OF ITEMS WITHOUT WRITTEN PERMISSION.
 COPYRIGHT © 1960, DIGITAL EQUIPMENT CORPORATION

LEGEND	
PART NO.	VARIATION
7018288-00	USES 5414506-00 (NOT USED)
7018288-01	USES 5414506-01

+5J	+5A	1
	+5K	2
+20C	+5A	3
+20K	-5D	4

- NOTES:
1. PEEL OFF STRIPS 1 & 2 OF ITEM 4 AND LOCATE AS SHOWN ON FRONT PLATE (ITEM 2).
 2. INSTALL HARNESS CONNECTORS P1 THRU P8 AS SHOWN TO TOP ROW OF VOLTAGE MONITOR BOARD (ITEM 19). INSTALL HARNESS CONNECTORS P9 THRU P12 AS SHOWN TO BOTTOM ROW OF VOLTAGE MONITOR BOARD.
 3. ITEM 15, 12, 13, 14, 15, 8, 20 (QTY 1) ARE SHIPPED LOOSE PIECE AND USED FOR INSTALLATION. FOR INSTALLATION PROCEDURE SEE ITEM 16 (A-SP-7018288-0-1). SEE ITEM 11 FOR PACKAGING KIT.
 4. GROUND DECAL (ITEM 8) IS USED BOTH AT ASSEMBLY AND AT INSTALLATION. ONE IS TO BE SHIPPED PER NOTE 3.
 5. FOR USE OF ITEM 20, TAB TERMINATOR, SEE INSTALLATION PROCEDURE.

DETAIL "A"
 SCALE: 1/1



CAUTION: OFF SHEET PARTS LIST EXIST
 SEE K-PL-7018288-0-DBP

REV.	CHG.	BY	DATE
B		KLIO-E	17 JUN 60
A		BRUCE WEAVER	3 MAR 62

QUANTITY & VARIATION	DESCRIPTION	DWG./PART NO.	ITEM NO.
	UNLESS OTHERWISE SPECIFIED DIMENSIONS ARE IN INCHES		
	ANGLES 20° 30°	CLASS OF ACCURACY	NOMINAL DIMENSION RANGE INCHES
	SURFACE QUALITY	(CHECK ONE)	OVER 0 TO 1.2 OVER 1.2 TO 4.0 OVER 4.0 TO 12.0 OVER 12.0 TO 40.0 OVER 40.0 TO 80.0
	MEDIUM	<input type="checkbox"/>	1.004 1.008 1.012 1.016 1.024 1.031
	PREFERRED	<input checked="" type="checkbox"/>	1.012 1.016 1.025 1.04 1.063 1.081
THIRD ANGLE PROJECTION	DRN. J.S. JONES 27 JUN 60	FIRST USED ON	KLIO-E
REMOVE BURRS AND BREAK SHARP CORNERS	CHK'D J. HANSON 17 JUL 60	TITLE	ASSY, DC VOLTAGE MONITOR I/O
DO NOT SCALE DWG	ENG. J. HANSON 17 JUL 60	MATERIAL	D-UA-KL10-E-0
MATERIAL SEE PARTS LIST	PROJ. ENG. J. HANSON 17 JUL 60	SCALE	FULL
FINISH NONE	PROD. J. HANSON 17 JUL 60	SIZE	D
	NEXT HIGHER ASSY.	CODE	AD
		NUMBER	7018288-0-0
		DIST.	

LINE ITEM	DOCUMENT NUMBER	PART NUMBER	DESCRIPTION	QUANTITY PER VARIATION	
				00	01
1	D-IA-7018180-0-0	7018180-00	WELDMENT, CARD CASE	1	1
2	C-IA-7424854-0-0	7424854-00	PLATE, FRONT	2	2
3	J-IA-7018286-0-0	7018286-00	HARNES I/O SHORT	1	1
4		3617588-00	LABEL, DCV MONITOR	1	1
5		5414506-00	VOLTAGE MONITOR BOARD	12	-
6		9007867-00	MOUNT, PUSH, CABLE TIE	4	4
7		9007031-00	TIE, CABLE BUNDL. DIA 0- 3/4"=101	4	4
8		3613272-00	LABEL, ADH BACK, MYLAR CAP	2	2
9		1213756-12	GROUND STRAP	1	1
10		9006563-00	NUT, KEP 8-32X 11/13AF	1	1
11		3700599-00	PKG KIT DC VOLTAGE MONITOR	1	1
12		9007786-00	RETAINER, U-NUT, 10-32	2	2
13		9006073-03	SCREW, TRUS, PHIL, 10-32X 1/2	3	3
14		9007651-00	WASHER, LOCK, EXTERNAL TOOTH #10	4	4
15		9006565-00	NUT, KEP 10-32X 3/8 AF	1	1
16	A-SP-7018288-0-1	7018288-00	MONITOR DC VOLT I/O NO. 1 ASSY.	REF	REF
17		3617997-01	LABEL, DIB20 OPTION VOLTAGES	1	1
18		9007032-00	TIE, CABLE BUNDL. DIA 0-1-3/4"=101	25	25
19		5414506-01	VOLTAGE, MONITOR BOARD	-	12
20		9009110-00	TERM, TAB .365TAB 2POS	-	4
21		9008151-00	WASHER, LOCK, EXT. TOOTH #8	1	1

REVISION HISTORY			BASIC PART NO: 7018288								
ENGI	ECO NUMBER	REV	SECTION A OF A	DRN:	JIM SICARD	DATE:	30-JUN-80	DIGITAL			
---	INITIAL	A	SECTION. VARIATION INDEX	CHK'D:	J. HUSON	DATE:	17-JUL-80	TITLE PARTS LIST			
BW	KL10-E-MR017	B	[A] 00,01					ASSY, DC VOLTAGE MONITOR I/O #1			
			[B]	DES. ENG.:	P. PORRECA	DATE:	17-JUL-80				
			[C]					DOCUMENT NUMBER			
			[D]	RESP. ENG.:	P. PORRECA	DATE:	17-JUL-80	SIZE CODE NUMBER REV			
			[E]	MFG. ENG.:	M. CAPPELLI	DATE:	12-SEP-80	K	PL	7018288-0-DBP	B
			[F]	ASSEMBLY NUMBER:		TOP DOCUMENT NUMBER:		FILE NAME:		EDIT #	
				ID-AD-7018288-0-0		ID-UA-KL10-E-0		Z11663.PLS		3	

"THIS DRAWING AND SPECIFICATIONS HEREIN, ARE THE PROPERTY OF DIGITAL EQUIPMENT CORPORATION AND SHALL NOT BE REPRODUCED OR COPIED OR USED IN WHOLE OR IN PART AS THE BASIS FOR THE MANUFACTURE OR SALE OF ITEMS WITHOUT WRITTEN PERMISSION. COPYRIGHT (C) 1982. DIGITAL EQUIPMENT CORPORATION "

**REWORK INSTRUCTIONS
INITIAL RELEASE**

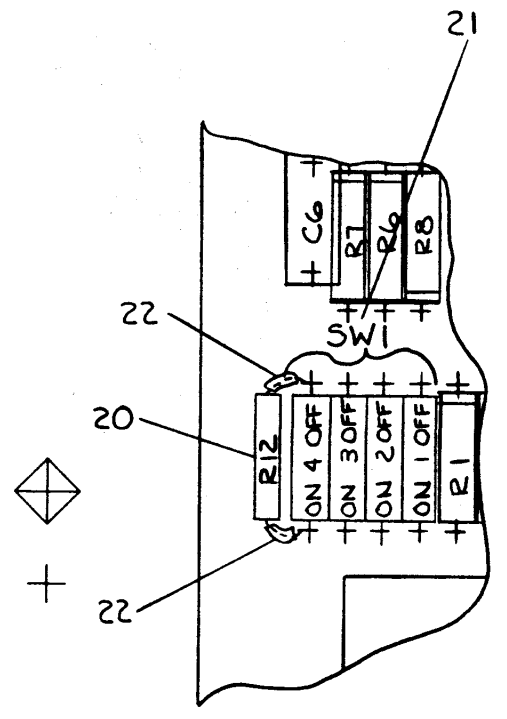
COMPONENT ADDS SIDE 1 AS SHOWN
O-1 SWI (P/N 1211164-00, SW DIP 1A 4POS)

- A. CLIP OFF BOTH LEADS OF SWI-4
FLUSH WITH SWITCH BODY
- B. INSERT SWITCH INTO 6 PIN'S AT
AT THE TOP RI.

O-2 R12 (P/N 1300447, 4.70K .25W 5.0%)

- A. ADD TEFLON THIN WALL TUBING
(P/N 9107807-11 TO BOTH LEADS.
- B. INSERT R12 INTO 2 PTH'S BENEATH
SWI-4

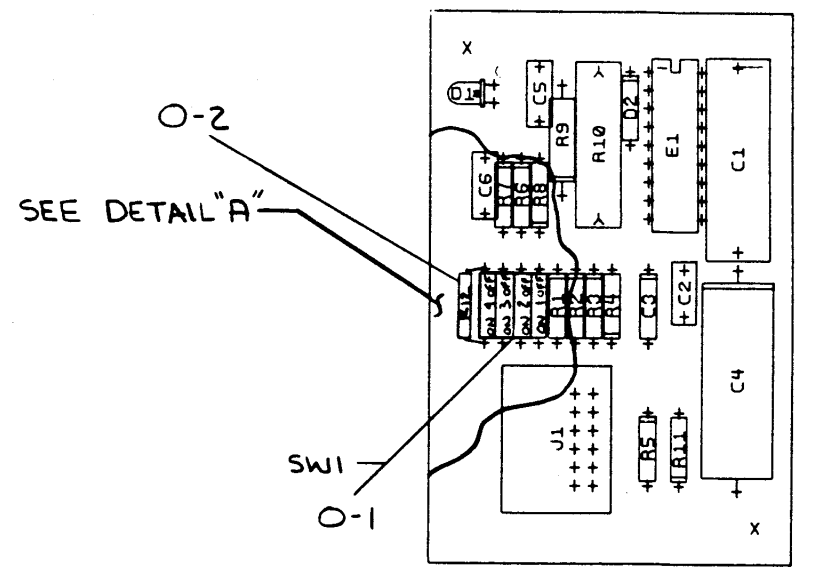
NOTE: DIRECTIONS ARE GIVEN WITH
RESPECT TO MODULE BEING
POSITIONED WITH CONNECTOR
J1 TOWARD USER.
INDICATE MODULE REVISION AS "A"



SWITCH SWI

SWITCH POSITION	VOLTAGE		
	±20	±15	±5
1	OFF	OFF	ON
2	OFF	DN	OFF
3	ON	OFF	OFF
4	NOT USED		

DETAIL "A"
INSTALLED SWITCH (SWI)



NOTES: 2ML71

STEP 1	+ Y AXIS	STEP 3 TIMES
REPEAT	- X AXIS	STEP 4 TIMES

CHG	NO	REV

ETCH REV.	

SIGNATURES	DATE	digital
DRN. M. Hammond	10/28/71	
CHK'D. R.W. Cantor	10/28/71	TITLE VOLTAGE MONITOR BOARD
MECH. ENG. R.C. Jones	10/28/71	
PROJ. ENG. K.C. Joseph	10/28/71	SCALE 2:1
PROD. B. B. B.	10/28/71	
SHT. 1 OF 1		SIZE CODE 0
NEXT HIGHER ASSY. B.D. 541150-1-0		NUMBER U-5414506-1-0
		REV A

LINE	ITEM	DOCUMENT NUMBER	PART NUMBER	DESCRIPTION	QTY	PER VARIATION	REFERENCE DESIGNATOR
1	1	D=MD-5014505-0-0	5014505-00	DRILL AND ETCH BRD.	1		
2	2		1000075-00	25 MFD 25V +75-10% AL EL	1		C1
3	3		1000004-00	.02 MFD 100V 20% Z5U DISC	1		C2
4	4		1001610-00	.01 MFD 50V +80-20% Z5U CER	1		C3
5	5		1000080-00	50 MFD 50V +75-10% AL EL	1		C4
6	6		1010274-01	.22 MFD 50V +80-20% Z5U CER	2		C5,C6
7	7		1117373-00	LED ASSY GREEN	1		D1
8	8		1105796-00	1N 4004 PIV=400 I= 1A D041 SP	1		D2
9	9		1217652-00	HEADER 12PIN RT ANGLE, DBL RO	1		J1
10	10		1317925-00	6.98 K .25 W .10% RN55E-B 2	1		R1
11	11		1317924-00	36.50 K .25 W .10% RN55E-B 2	1		R2
12	12		1317923-00	51.10 K .25 W .10% RN55E-B 2	1		R3
13	13		1317922-00	732.0 .25 W .10% RN55E-B 2	1		R4
14	14		1305355-00	7.0 K .25 W .10% RN55C-B 5	1		R5
15	15		1300365-00	1.0 K .25 W 5.0 % CC	2		R6,R7
16	16		1300250-00	150.0 .25 W 5.0 % CC	1		R8
17	17		1300347-00	680.0 .50 W 5.0 % CC	1		R9
18	18		1300368-00	1.0 K 1.0 W 5.0 % CC	1		R10
19	19	SEE NOTE #1	1917657-00	3544J LOW-VOLT SUPERVISORY	1		E1
20	20		1300447-00	4.70 K .25 W 5.0 % CC	2		R11,R12
21	21		1211164-00	SW,DIP 1P 1A 4POS	1		SW1
22	22		9107807-11	TUBING, THIN WALL, .022ID UL	A/R		

23 NOTE: 1. THIS PART CAN BE MARKED SG2544J/DEC3544J.

REVISION HISTORY		BASIC PART NO: 5414506		DRN: M, NORMAND	DATE: 22-SEP-81	DIGITAL			
ENG	ECO NUMBER	REV	SECTION A OF A	CHK'D: R, W, CAUNTER	DATE: 1-OCT-81	TITLE PARTS LIST			
		A	SECTION VARIATION INDEX			5414506-01			
			[A] 01			VOLTAGE MONITOR BOARD			
			[B]						
			[C]	DES, ENG: R, JOSEPHSON	DATE: 1-OCT-81				
			[D]						
			[E]						
			[F]	RESP, ENG: R, JOSEPHSON	DATE: 1-OCT-81	DOCUMENT NUMBER			
			[H]						
			[J]			SIZE	CODE	NUMBER	REV
			[K]	MFG, ENG: T, CAVANAUGH	DATE: 1-OCT-81	K	PL	5414506-1-DBP	A
			[L]						
			[M]	ASSEMBLY NUMBER:	TOP DOCUMENT NUMBER:	FILE NAME:		EDIT #	
			[N]	D-UA-5414506-1-0	H-DD-54145-5-1	23208A.PLS		4	

"THIS DRAWING AND SPECIFICATIONS HEREIN, ARE THE PROPERTY OF DIGITAL EQUIPMENT CORPORATION AND SHALL NOT BE REPRODUCED OR COPIED OR USED IN WHOLE OR IN PART AS THE BASIS FOR THE MANUFACTURE OR SALE OF ITEMS WITHOUT WRITTEN PERMISSION. COPYRIGHT (C) 1981, DIGITAL EQUIPMENT CORPORATION"

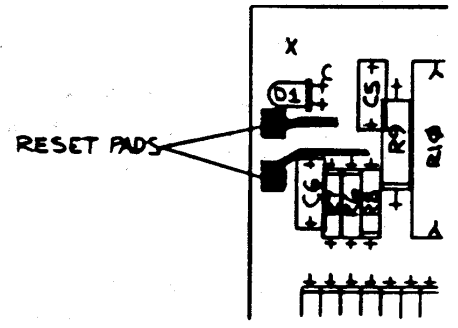
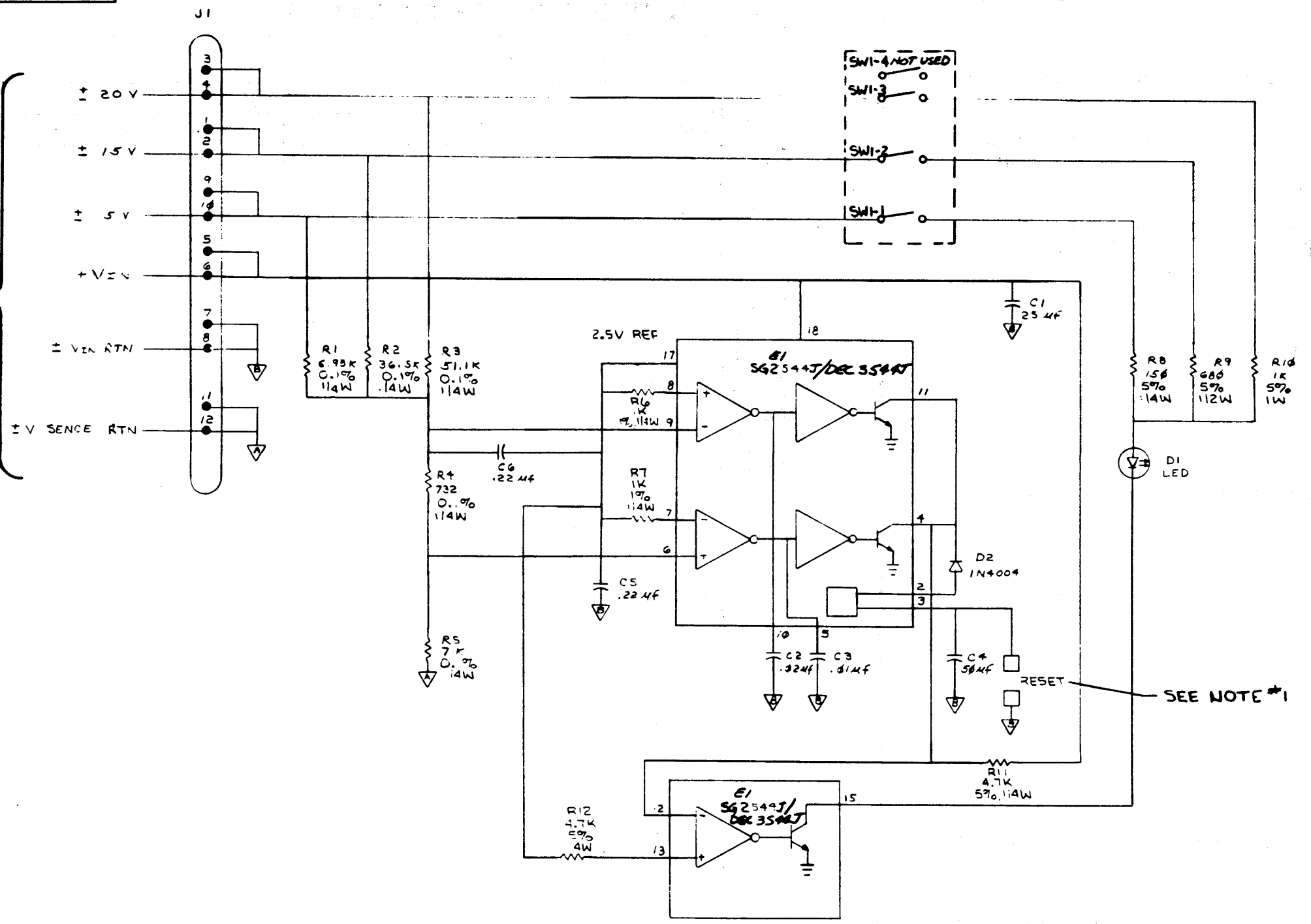
THIS DRAWING AND SPECIFICATIONS HEREBY ARE THE PROPERTY OF DIGITAL EQUIPMENT CORPORATION AND SHALL NOT BE REPRODUCED OR COPIED IN WHOLE OR IN PART OR IN ANY MANNER FOR THE MANUFACTURE OR SALE OF ANY EQUIPMENT WITHOUT PERMISSION. COMPANY © 1971. MODEL EQUIPMENT CORPORATION

NOTES:
 1. JUMPER PADS TO RESET INDICATOR. RESET IS ALSO PROVIDED BY REMOVAL OF ALL POWER TO THE MODULE. RESET JUMPER MUST BE LESS THAN 100 OHMS MAXIMUM.

D
C
B
A

D
C
B
A

FROM HARNESS SEE NEXT HIGHER ASSY.



SWITCH POSITION	±20	±15	±5
1	OFF	OFF	ON
2	OFF	ON	OFF
3	ON	OFF	OFF
4	NOT USED		

SWITCH SW1
 CAUTION: ONLY ONE SWITCH MUST BE ON FOR PROPER OPERATION OF THIS BOARD.

SEE NOTE #1

REV.	
CHANGE NO.	
CHK	

DRN <i>M. Norman</i> 228881	FIRST USED ON	KL10	digital
CHK'D <i>R.W. Cunn</i> 100887	TITLE	VOLTAGE MONITOR BOARD	
ENG. <i>J.C. Jones</i> 100497	SCALE	NONE	
PROJ. ENG. <i>J. Jones</i> 100887	SHEET	1	OF 1
PRODT. <i>B. Brown</i> 100887	DIST.		
NEXT HIGHER ASSY.	B-E-C-5414506-1	SIZE	CODE
			NUMBER
			REV.
			A

MR 1

ENGINEERING SPECIFICATION

digital

CONTINUATION SHEET

TITLE VOLTAGE MONITOR

1.0 General

1.1 This is a specification for a voltage monitor printed circuit board.

When the input voltage to the module is within its range and the correct switch is placed in the "on" position, a green LED is illuminated.

When the voltage goes out of range either on an overvoltage or undervoltage condition, the green LED is extinguished and this fault is latched.

1.2 Reference Documents

DEC STD 102 - Environmental Standard.
D-UA-5414506-1-0 Voltage Monitor Board

2.0 Electrical Specifications

2.1 Input Voltages

The following voltage input ranges are acceptable for monitoring:

- +5V +7V DC
- +15V - +20V DC
- +20V 0- +25V DC
- 5V 0- -7V DC
- 15V 0- -20V DC
- 20V 0- -25V DC

2.2 Power Source

This module will operate from a power source of -4.5V to -40V DC, or +4.5V to +40V DC.

2.3 Detection Band

This module will detect and extinguish the green LED display when the input voltage is out of the following bands:

SIZE	CODE	NUMBER	REV
A	SP	5414506-1-2	A

DIGITAL EQUIPMENT CORPORATION

MAYNARD, MASSACHUSETTS

ENGINEERING SPECIFICATION

DATE
Sept. 22, 1981

TITLE VOLTAGE MONITOR

REVISIONS

REV	DESCRIPTION	CHG NO	ORIG	DATE	APPD BY	DATE

This drawing and specifications, herein, are the property of Digital Equipment Corporation and shall not be reproduced or copied or used in whole or in part as the basis for the manufacture or sale of items without written permission.

ENG <i>John Tivnan</i>	APPD <i>John Tivnan</i>	SIZE	CODE	NUMBER	REV
		A	SP	5414506-1-2	A

TITLE VOLTAGE MONITOR

4.0 Mechanical and Physical

4.1 Size - Printed circuit board 2.0 x 3.0 in. Maximum height is 0.5 in.

4.2 Weight

4.3 Mounting - Any position

4.4 Cooling - Natural convection.
Power may range from 100 mw to 650 mw depending upon power source voltage.

4.5 Temperature Range

- Per DEC Std 102 for Class B environment

4.6 Altitude - 8000 ft - operate

4.7 Vibration - Per DEC Std 102 Class B

4.8 Mechanical Shock - Per DEC Std 102

5.0 Reliability

MTBF goal is greater than 200,000 hours for ground benign environment per MIL - HDBK 217B based on parts count.

6.0 Safety

Not applicable

7.0 Input-Output Connector

J1 Part Number 12-17652-00 Mates with 12-14112-03 connector. Contacts in mating connector are 12-151121-00

Signals

J1-1 15V INPUT
J1-2 15V INPUT
J1-3 20V INPUT
J1-2 20V INPUT
J1-5 INPUT VOLTAGE
J1-6 INPUT VOLTAGE

J1-7 INPUT VOLTAGE RETURN
J1-8 INPUT VOLTAGE RETURN

J1-9 5V INPUT
J1-10 5V INPUT

SIZE	CODE	NUMBER	REV
A	SP	5414506-1-2	A

SHEET 4 OF 5

TITLE VOLTAGE MONITOR

Switch	Voltage	Error Band (Fault when outside this range)
SW1-1	+/-5V	$\pm 5\% \pm 1.5\%$ (3.5% to 6.5%)
SW1-2	+/-15V	$\pm 5\% \pm 1.5\%$ (3.5% to 6.5%)
SW1-3	+/-20V	$\pm 5\% \pm 1.5\%$ (3.5% to 6.5%)

2.4 Reset

Reset pads are provided on the printed circuit board for local reset. Jumper reset pads together to reset the indicator. Reset is also provided by removal of all power to the module. Reset jumper must be less than 100 ohms maximum.

2.5 Turn-On Time Delay

An undervoltage fault will be disabled for $100 \text{ ms} \pm 20\text{ms}$ after the power source voltage is truned on.

2.6 Fault Duration

The over and/or under voltage condition must exist for a duration of time before detection.

Overvoltage Condition - 0.1 ms

Undervoltage Condition - 0.2 ms

2.7 Operating Power

Current drain is 16 ma during normal operation. Current drain during a fault condition is 22 ma.

2.8 Operating Voltage

Module will operate as long as power source voltage is greater than 4.5V. Duration of true indication may be lengthened by connecting power source voltage to a voltage higher than being monitored.

If the module is operated from the voltage it is monitoring, it will not indicate (at all) upon loss of the voltage.

3.0 Output3.1 Indicator

Normal operation of the voltage is indicated by an illuminated green LED. Abnormal voltage is indicated by the lack of illumination by the green LED.

SIZE	CODE	NUMBER	REV
A	SP	5414506-1-2	A

SHEET 3 OF 5

ENGINEERING SPECIFICATION

CONTINUATION SHEET

TITLE VOLTAGE MONITOR

J1-11 SENSE VOLTAGE RETURN
J1-12 SENSE VOLTAGE RETURN

In addition, two printed circuit pads are provided for reset.

SIZE	CODE	NUMBER	REV
A	SP	5414506-1-2	A